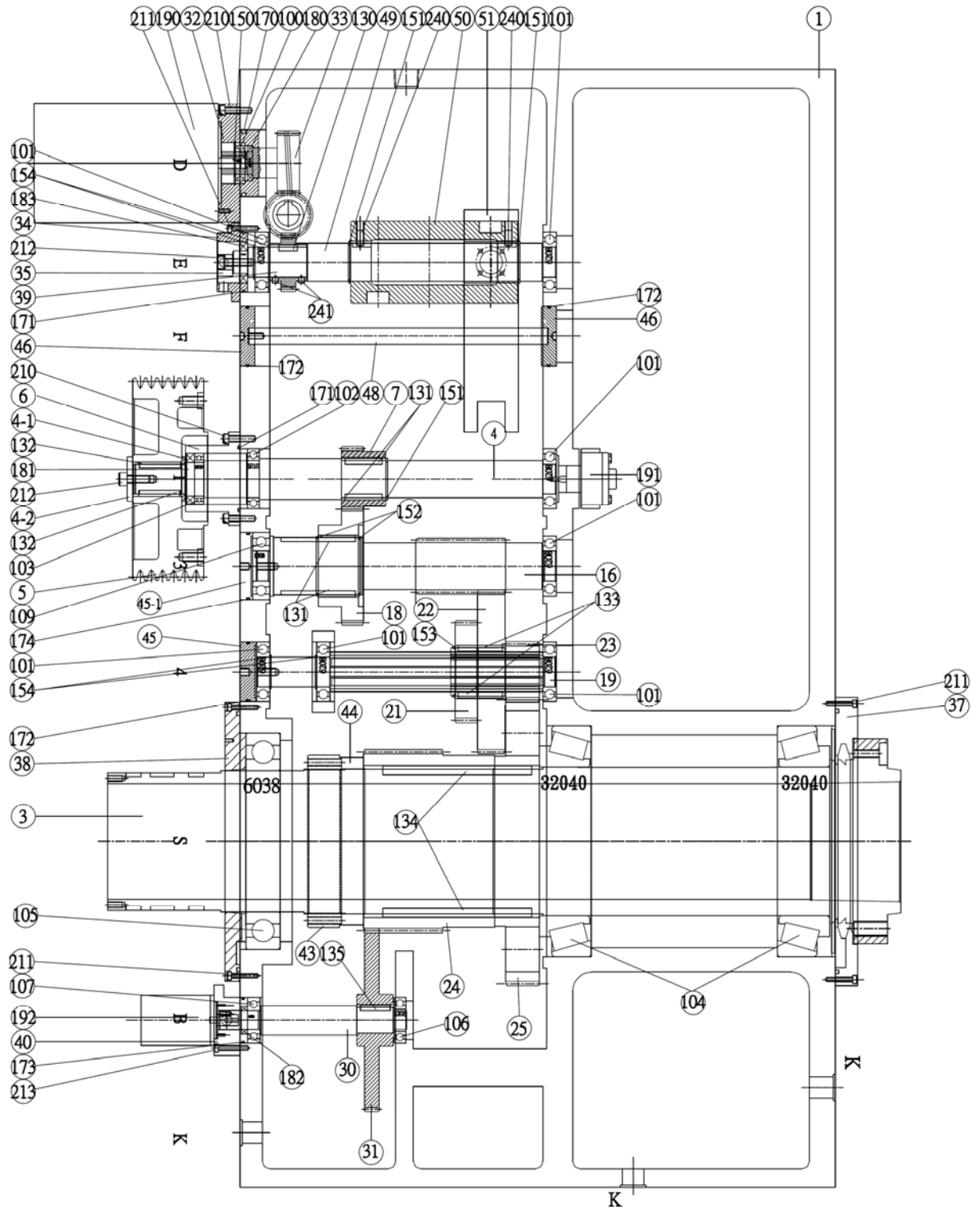


PARTS LIST

5.1 Headstock

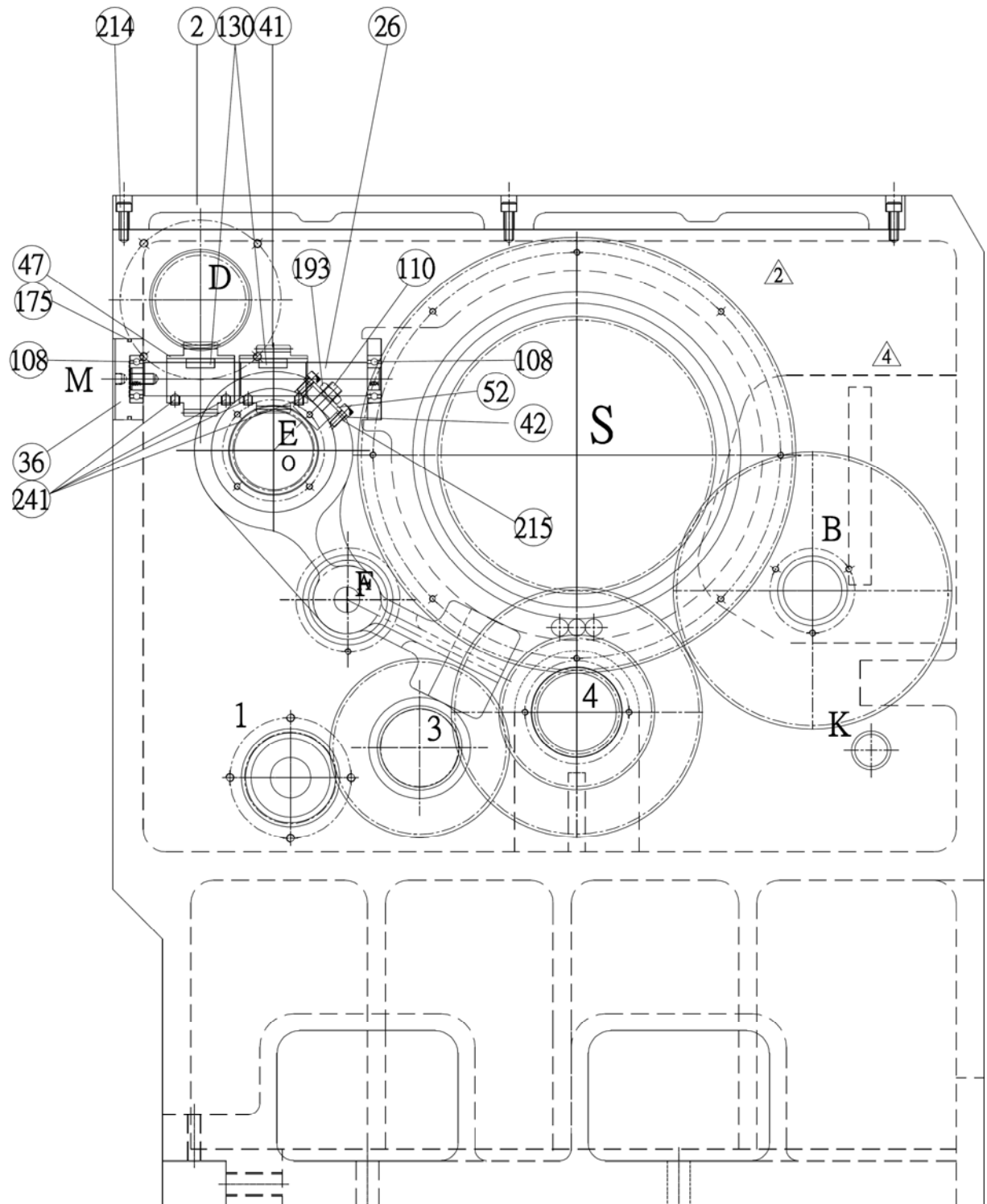
5.1.1 KL-42/50/60HB, Spindle bore 155mm (6'')

2015.03.12



Headstock 1-1

KL-42/50/60HB, Spindle bore 155mm (6")



5.1.2 Parts list of KL-42/50/60HB Headstock

Spindle bore 155mm (6")

2015.03.12

No.	Part's No.	Description	Spec.	Q'TY	Remark
01	48HB-601	Head Stock		1	
02	42HA-602	Cover		1	
03	42HA-603	Spindle		1	
04	42HB-604	Input Shaft		1	
04-1	42HA-604-1	Spacer Ring for pulley		1	
04-2	42HA-604-2	Washer		1	
05	42HA-605	V-PULLEY		1	
06	42HA-606	Cover		1	
07	42HB-605	Gear		1	
16	42HA-616	Shatt		1	
18	42HA-618	Gear		1	
19	42HA-619	Shaft		1	
21	42HA-621	Gear		1	
22	42HA-622	Gear		1	
23	42HA-623	Gear		1	
24	42HA-624	Gear		1	
25	42HA-625	Gear		1	
26	42HB-624	Shaft		1	
30	42HB-630	Shaft		1	
31	42HB-631	Gear		1	
32	50HB-044	Motor Base		1	
33	42HB-643	Worm Gear		1	
34	50HB-038	Checking Base		1	
35	18HB-019	Block		1	
36	42HB-636	Cover		1	
37	25HA-637	Cover		1	
38	42HA-642	Cover		1	
39	50HB-039	Bevel Gear		1	
40	18HB-015	Cover		1	
41	50HB-048	Worm Gear		1	
42	50HB-042	Bearing Cover		1	

Parts list of KL-42/50/60HB Headstock Spindle bore 155mm (6'')

No.	Part's No.	Description	Spec.	Q'TY	Remark
43	42HA-643	Nut of Spindle		1	
44	42HA-644	Spacer of Spindle		1	
45	42HA-645	Cover		1	
45-1	42HA-645010	Cover		1	
46	42HA-646	Cover		2	
47	50HB-047	Bevel Gear		1	
48	42HA-648	Shaft of Fixed		1	
49	42HB-649	Camshaft		1	
50	42HB-650	Cam		1	
51	42HB-651-1	Speed change fork		1	
52	42HB-652	Ring		1	
100		Bearing	6006	1	
101		Bearing	6208	7	
102		Bearing	6010	1	
103		Bearing	6909	1	
104		Bearing	32040	2	
105		Bearing	6038	1	
106		Bearing	6206	1	
107		Bearing	6305	1	
108		Bearing	6004	2	
109		Bearing	6308	1	
110		Bearing	IKOCF12BC6J	1	
130		Key	10*8*25	3	
131		Key	12*8*50	4	
132		Key	12*8*55	2	
133		Key	12*8*60	2	
134		Key	20*12*200	2	
135		Key	10*8*40	1	
150		C Ring	S30	1	
151		C Ring	S50	3	
152		C Ring	S70	2	
153		C Ring	S65	1	

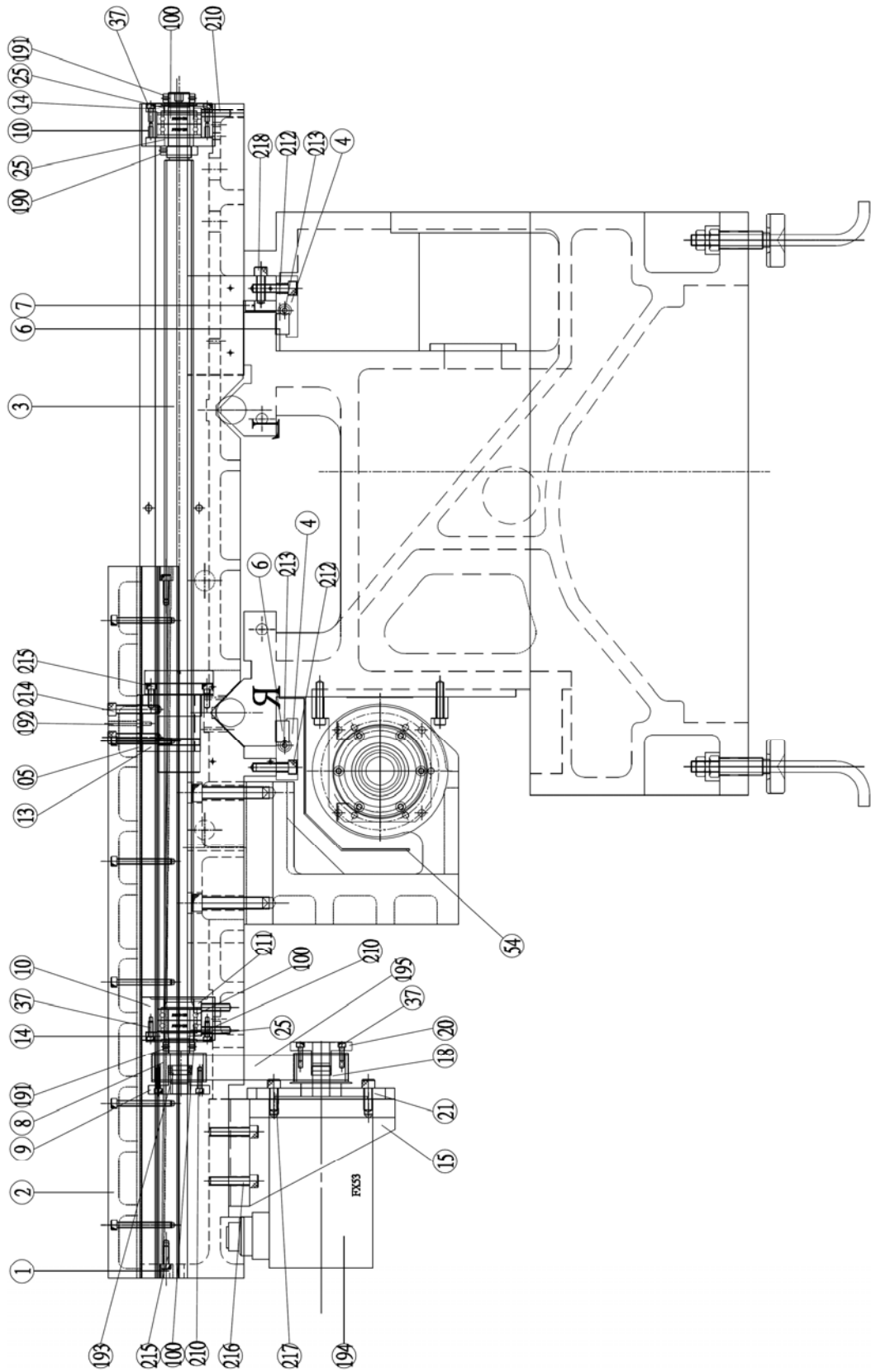
Parts list of KL-42/50/60HB Headstock Spindle bore 155mm (6'')

No.	Part's No.	Description	Spec.	Q'TY	Remark
154		C Ring	S40	4	
170		O Ring	G90	1	
171		O Ring	G80	2	
172		O Ring	G75	2	
173		O Ring	G55	1	
174		O Ring	G85	1	
175		O Ring	G65	1	
180		Oil Seal	30*47*7	1	
181		Oil Seal	45*68*12	1	
182		Oil Seal	25*38*8	1	
183		Oil Seal	30*55*11	1	
190		Motor		1	
191		Oil Pump		1	
192		Sensor		1	
193		Nut	M12	1	
210		Screw	M8*35	8	
211		Screw	M6*35	20	
212		Screw	M10*30	2	
213		Screw	M6*40	3	
214		Cap Screw	M8*30	10	
215		Screw	M6*15	2	
240		Cap Screw	M10*20	2	
241		Cap Screw	M8*8	6	

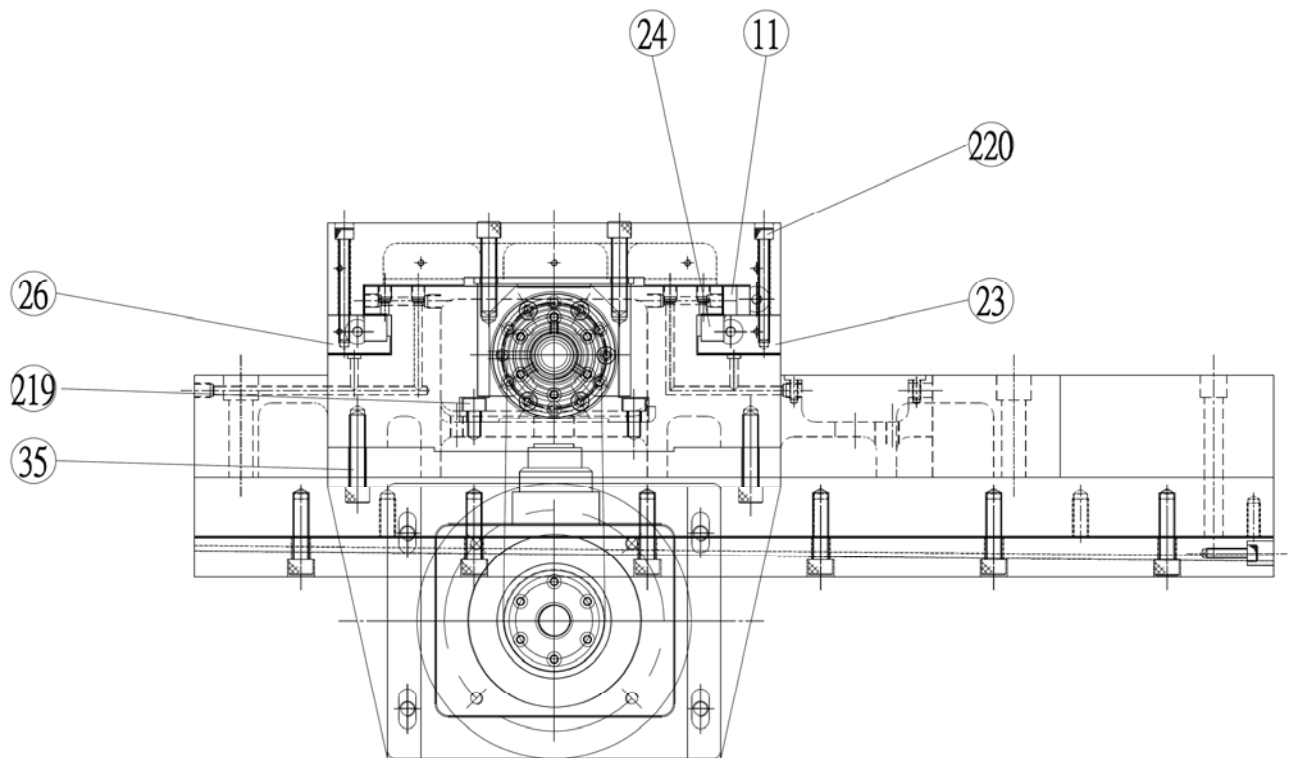
5.2 X-axis Tarns.

5.2.1 Parts List of KL-42/50/60 CS SADDLE

2015.03.07



Parts List of KL-42/50/60 CS SADDLE



5.2.2 Parts list of KL-42/50/60CS SADDLE

2015.03.07

No.	Part's No.	Description	Spec.	Q'TY	Remark
01	42CS-001	Carriage		1	
02	42CS-002	Cross Slide		1	
03	50CS-003	Ball Screw		1	
04	42S-004	Gib Plate		2	
05	50CS-005	Washer		1	
06	42S-006	Gib		2	
07	42S-007	Gib		1	
08	50CS-008	Pulley		1	
09	50CS-009	Locking Cover		3	
10	50CS-010	Bearing cover		2	
11	42S-011	Gib Plate		1	
13	50CS-004	Dust Cover		1	

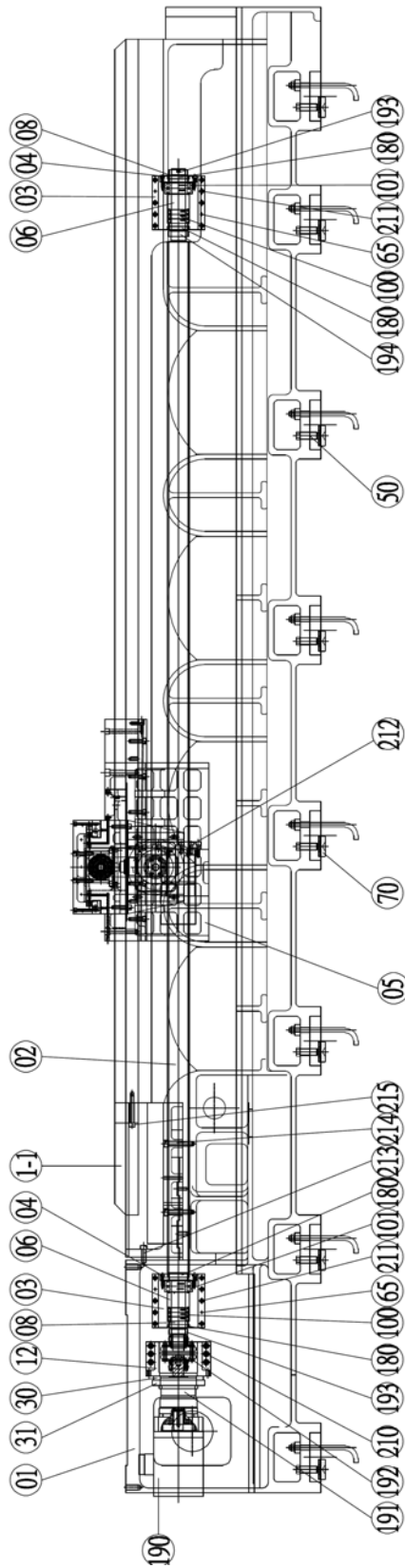
Parts list of KL-42/50/60CS SADDLE

No.	Part's No.	Description	Spec.	Q'TY	Remark
14	25CB-014	Bearing Cover		2	
15	42CS-015-1	Motor Base		1	
18	50CS-018	Pulley		1	
20	50CS-020	Locking Cover		2	
21	50CS-021	Motor plate		1	
23	42S-009	Gib		1	
24	42S-010	Gib		2	
25	25CB-008	Spacer Ring		3	
26	42S-008	Gib		1	
54	42CS-054	Leadscrew blocker		1	
55	42CS-055	Cover		1	
100		Bearing	306215	4	
190		Screw Nut	M35*P1.5	1	
191		Screw Nut	M30*P1.5	2	
192		Lock	φ6	4	
193		Locking Ring	25*30	2	
194		Motor		1	
195		Flush Bolt		1	
210		Screw	M6*25	6	
211		Screw	M10*40	4	
212		Screw	M12*50	10	
213		Screw	M8*30	4	
214		Screw	M12*55	4	
215		Screw	M8*25	9	
216		Screw	M12*55	4	
217		Screw	M12*30	4	
218		Screw	M12*35	4	
219		Screw	M10*20	8	
220		Screw	M8*75	12	

5.3 Z-axis Trans

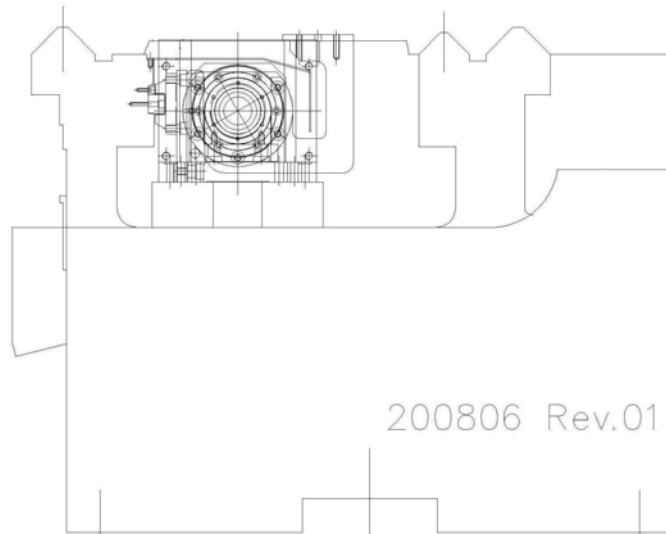
5.3.1 Parts list of KL-42/50/60CB BED

2015.03.07



Bed 1-1

Part list of KL-42/50/60CB BED

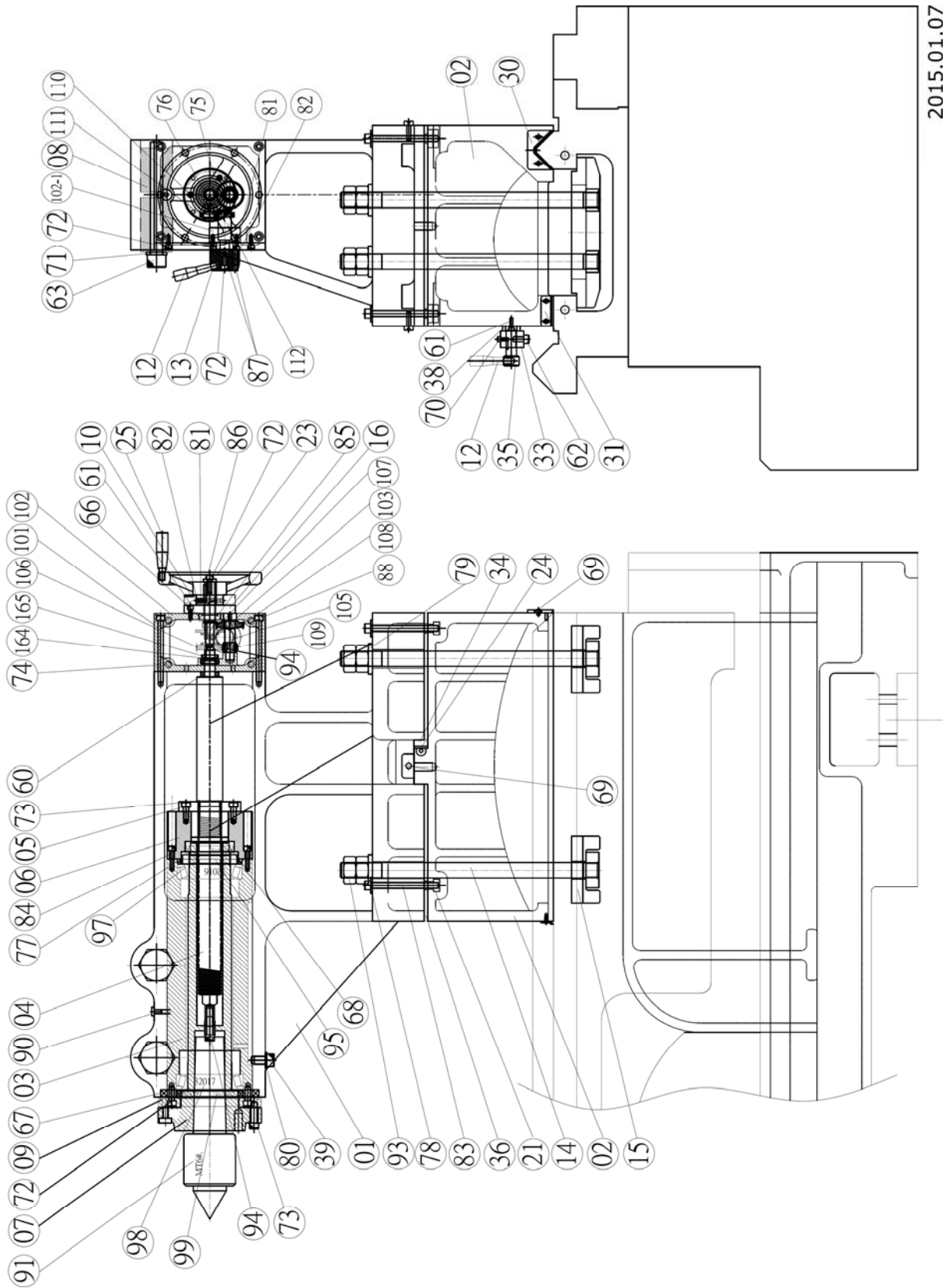


5.3.2 Parts list of KL- 42/50/60CB BED

2015.03.07

No.	Part's No.	Description	Spec.	Q'TY	Remark
01	42CB-001	Bed		1	
1-1	42B-001-1	Gap		1	
02	50CB-002	Ball Screw		1	
03	50CB-003	Bearing Base		2	
04	50CB-004	Bearing Cover		2	
05	42CB-005	Leadscrew Base		1	
06	50CB-006	Spacer		2	
08	50CB-008	Spacer		2	
12	50CB-012	Motor Bracket		1	
30	50CB-030-1	Decelerator connection plate		1	
31	50CB-031-1	Decelerator Base		1	
40	42CB-040	X-axis Motor Plate		1	
50	25B-050	Screw		16	
70	25B-070	Foot pad		16	
100		Bearing	6010	6	
101		Bearing	BST50X100-1B	4	
180		Oil Seal	65*80*12	4	
190		Motor		1	

ROTATING OF TAILSTOCK



Tailstock 1-1

PARTS LIST OF ROTATING OF TAILSTOCK

No.	Part's No.	Description	Spec.	Q'TY	Remark
01	42T-001	Tailstock Body		1	
02	48T-002	Tailstock Base		1	
03	42T-603	Quill		1	
04	42T-004	Lead screw		1	
05	42T-005	Nut		1	
06	42T-006	Lead screw fixed seat		1	
07	42T-607	Tailstock Shaft		1	
08	42T-008	Locking Sleeve		2	
09	42T-609	Cover		1	
10	25T-007	Spacer		1	
12	18HA-069	Handle for speed change		1	
13	18HA-068	Lever Base		1	
14	48T-014	Four angle screw		4	
15	42T-015	Seesaw		2	
16	33T-031	Cover		1	
21	33S-021	Tool Post Nut		4	
23	25A-010	Hand Wheel		1	
24	25S-024-1	ADJ. Screw M8		2	
25	25A-057	Handle		2	
30	51CT-030	Wiper		1	
31	51CT-031	Wiper		1	
33	33T-045	Pin Holder		1	
34	42T-034	Gib		1	
35	33T-046	Lock		1	
36	42T-036	Bracket for bottom		1	
38	33T-047	Coupling		1	
39	33T-039	Screw		1	
101	42T-101	Gearbox for Tailstock		1	
102	42T-102	Cover		1	
102-1	33T-102-1	Position Chunk		1	

PARTS LIST OF ROTATING OF TAILSTOCK

No.	Part's No.	Description	Spec.	Q'TY	Remark
103	33T-103	Shaft		1	
105	33T-105	Shaft		1	
106	33T-106	Clutch Gear		1	
107	33T-107	Clutch Gear		1	
108	33T-108	Gear		1	
109	33T-109	Gear		1	
110	33T-110	Shifiting Block		1	
111	33T-111	Shifiting Block Plate		1	
112	42T-112	Shaft for Speed change		1	
60		Bearing	51104	2	
61		Cap Screw	M6*20	8	
62		Cap Screw	M8*20	1	
63		Cap Screw	M24*220	2	
66		Bearing	6004	1	
67		Oil Seal	190*165*13	1	
68		Oil Seal	$\phi 75 * \phi 95 * 12$	1	
69		Screw	M6*10	8	
70		Cap Screw	M6*15	1	
71		Washer	$\phi 24 * \phi 40 * 3$	2	
72		Cap Screw	M8*25	6	
73		Cap Screw	M10*25	4	
74		Cap Screw	M10*120	4	
75		Set Screw	M6*5	1	
76		C Locker	S21	1	
77		O Ring	P115	1	
78		Washer	$\phi 12 * \phi 34 * 3$	4	
79		Washer	$\phi 40 * \phi 80 * 5$	4	
80		Washer	$\phi 16 * \phi 40 * 3$	1	

