
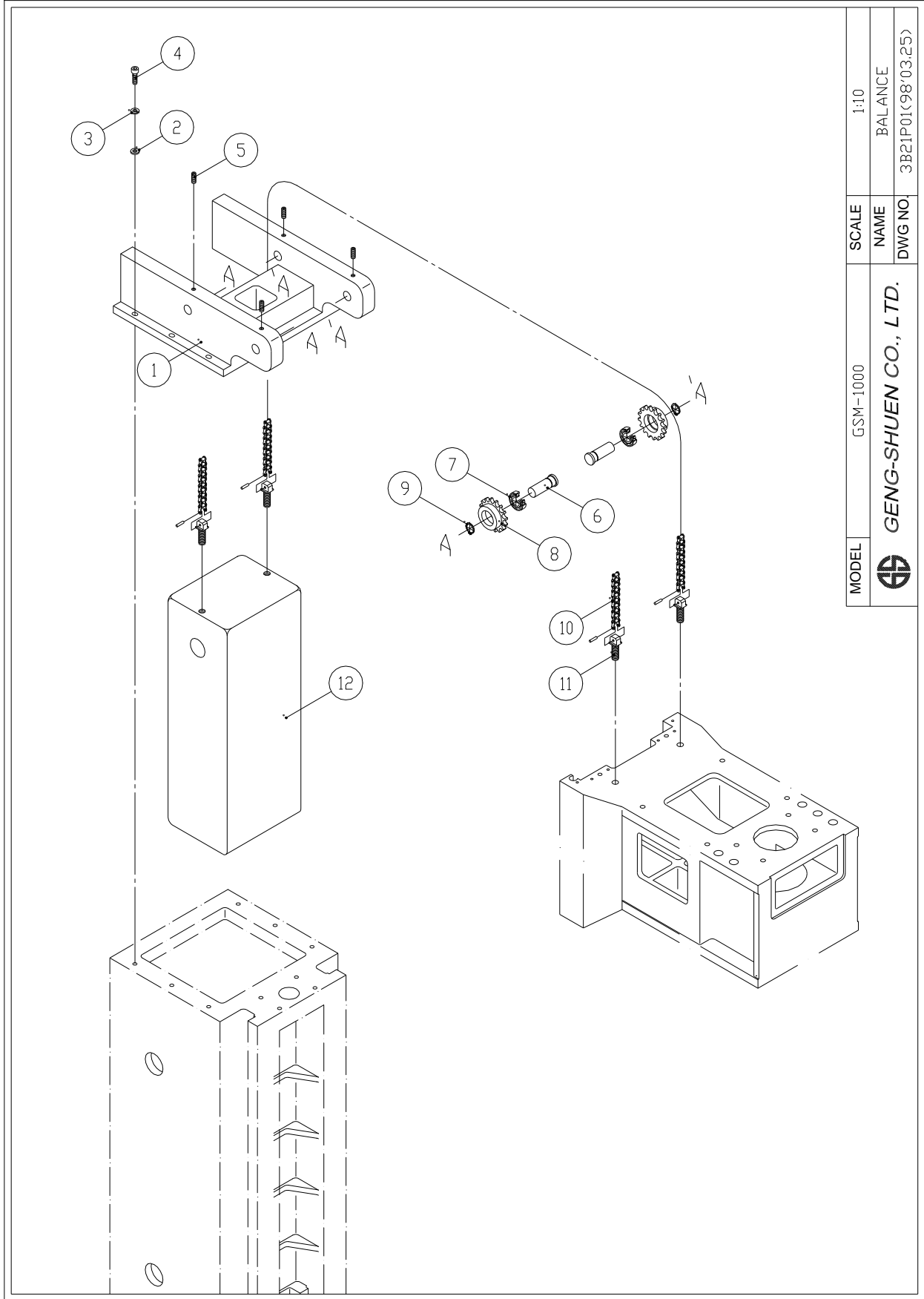


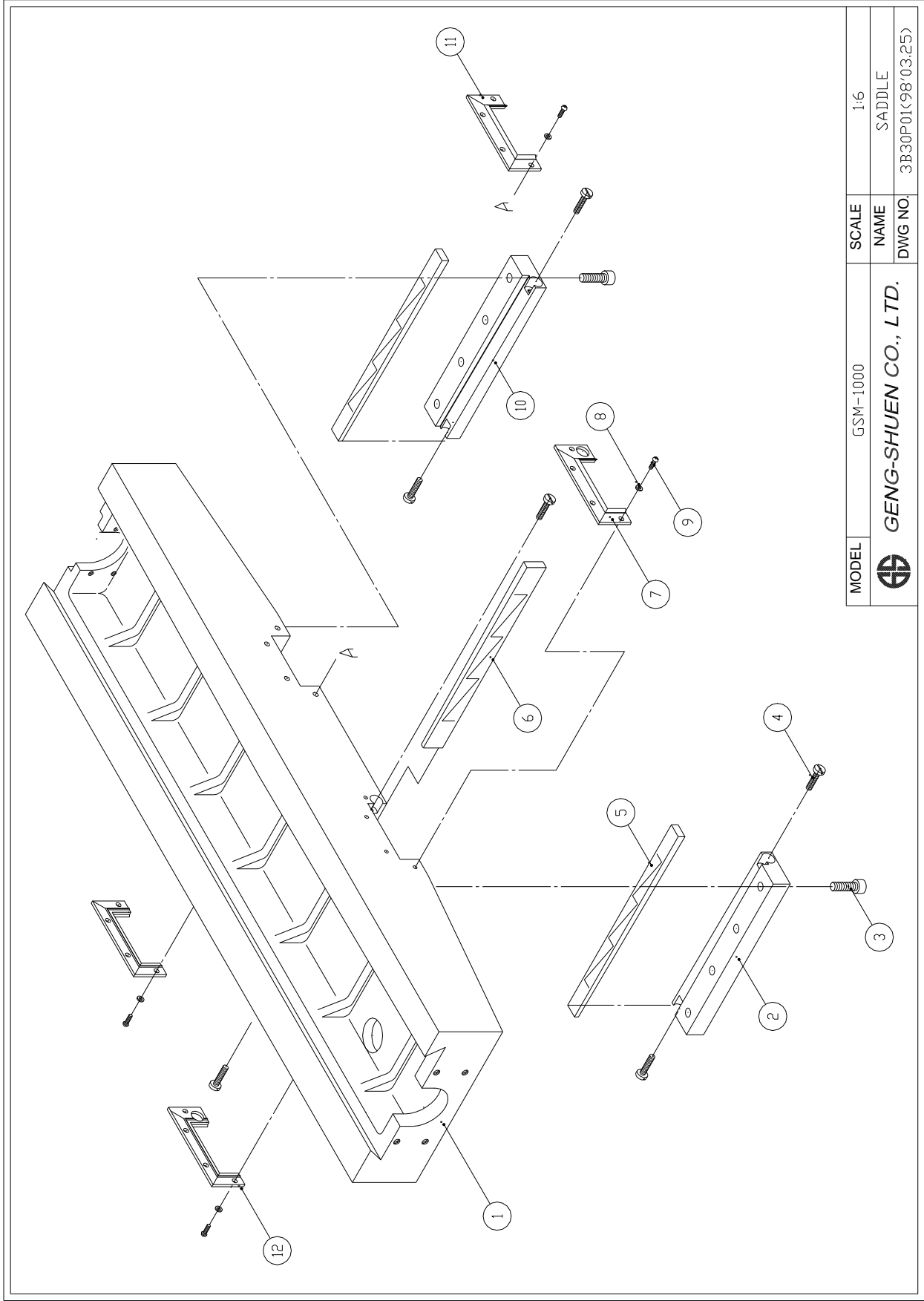
MODEL	GSM-1000	SCALE	1:12
		NAME	BASE & COLUMN
		DWG NO	3B10P01(02'11.12)
 <b>GENG-SHUEN CO., LTD.</b>			





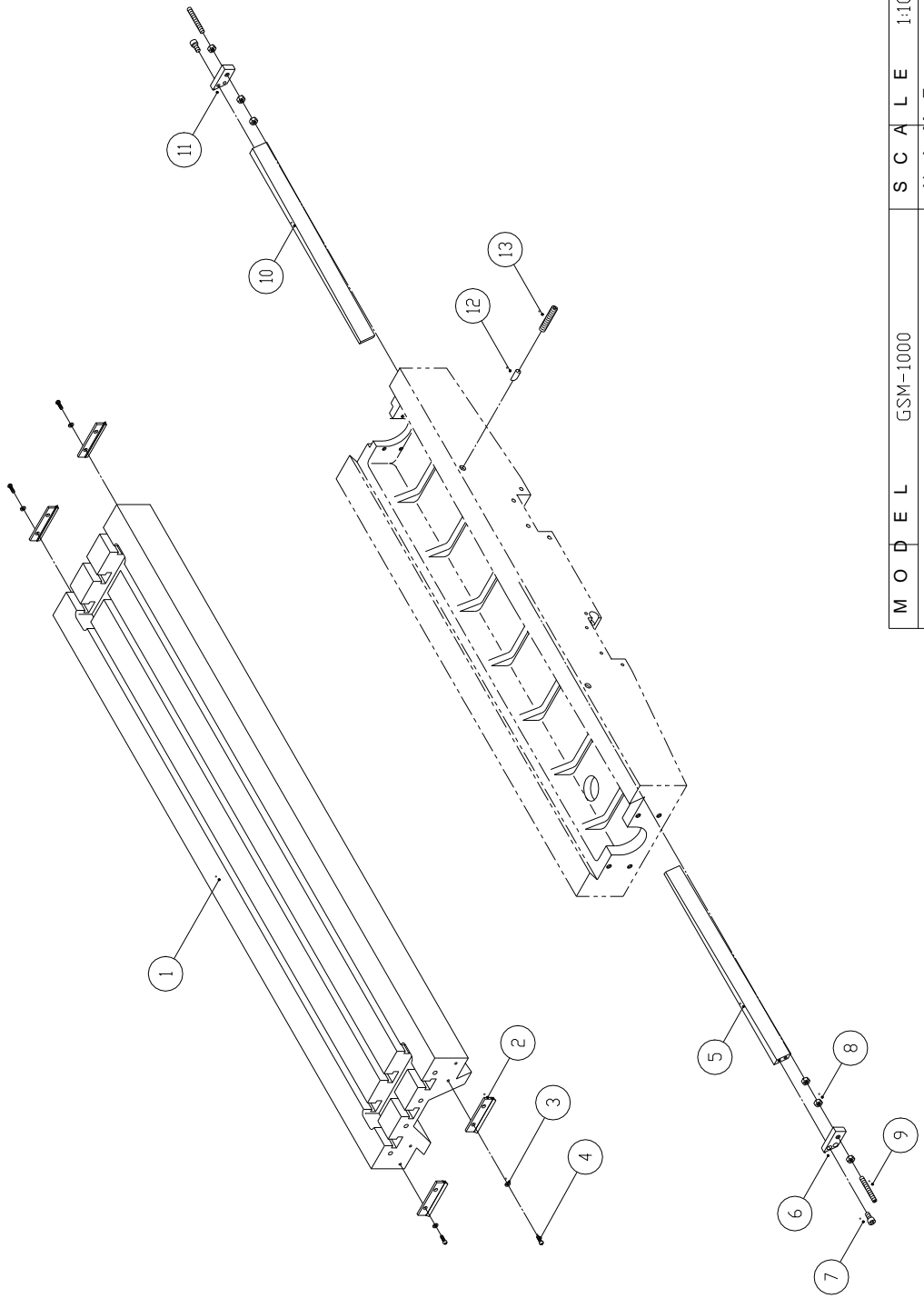
MODEL	GSM-1000	SCALE	1:10
		NAME	BALANCE
		DWG NO.	3B21P01(98/03.25)
 <b>GENG-SHUEN CO., LTD.</b>			






MODEL	GSM-1000	SCALE	1:6
		NAME	SADDLE
		DWG NO.	3B30P01(98/03.25)
 <b>GENG-SHUEN CO., LTD.</b>			

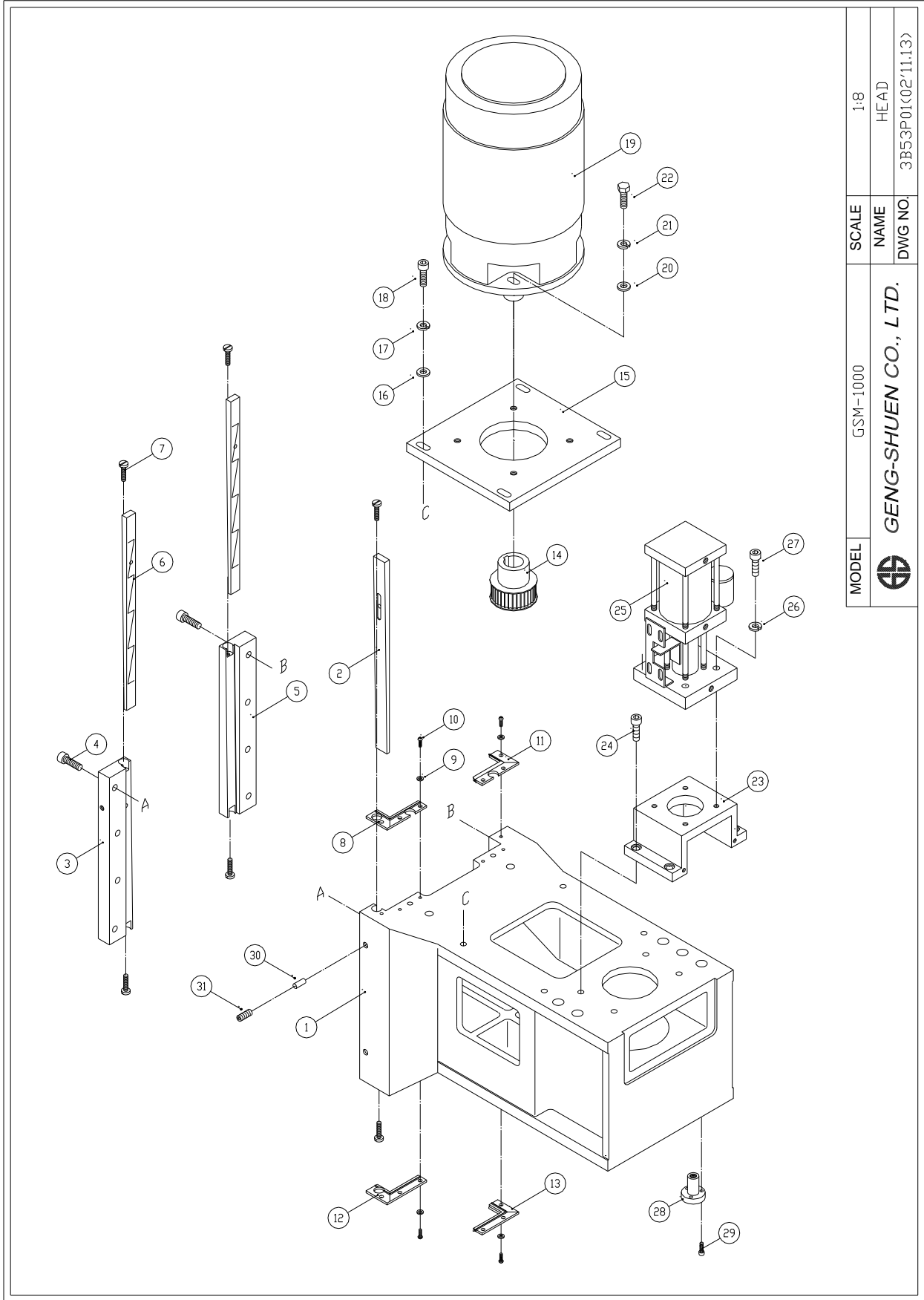




M O D E L	GSM-1000	S C A L E	1:10
 <b>GENG-SHUEN CO., LTD.</b>		N A M E	TABLE
		D W G	3E40P01<02'11.12>







MODEL	GSM-1000	SCALE	1:8
		NAME	HEAD
		DWG NO.	3B53P01(02/11.13)
 <b>GENG-SHUEN CO., LTD.</b>			

## PART LIST

MODEL: GSM-1000(HEAD)

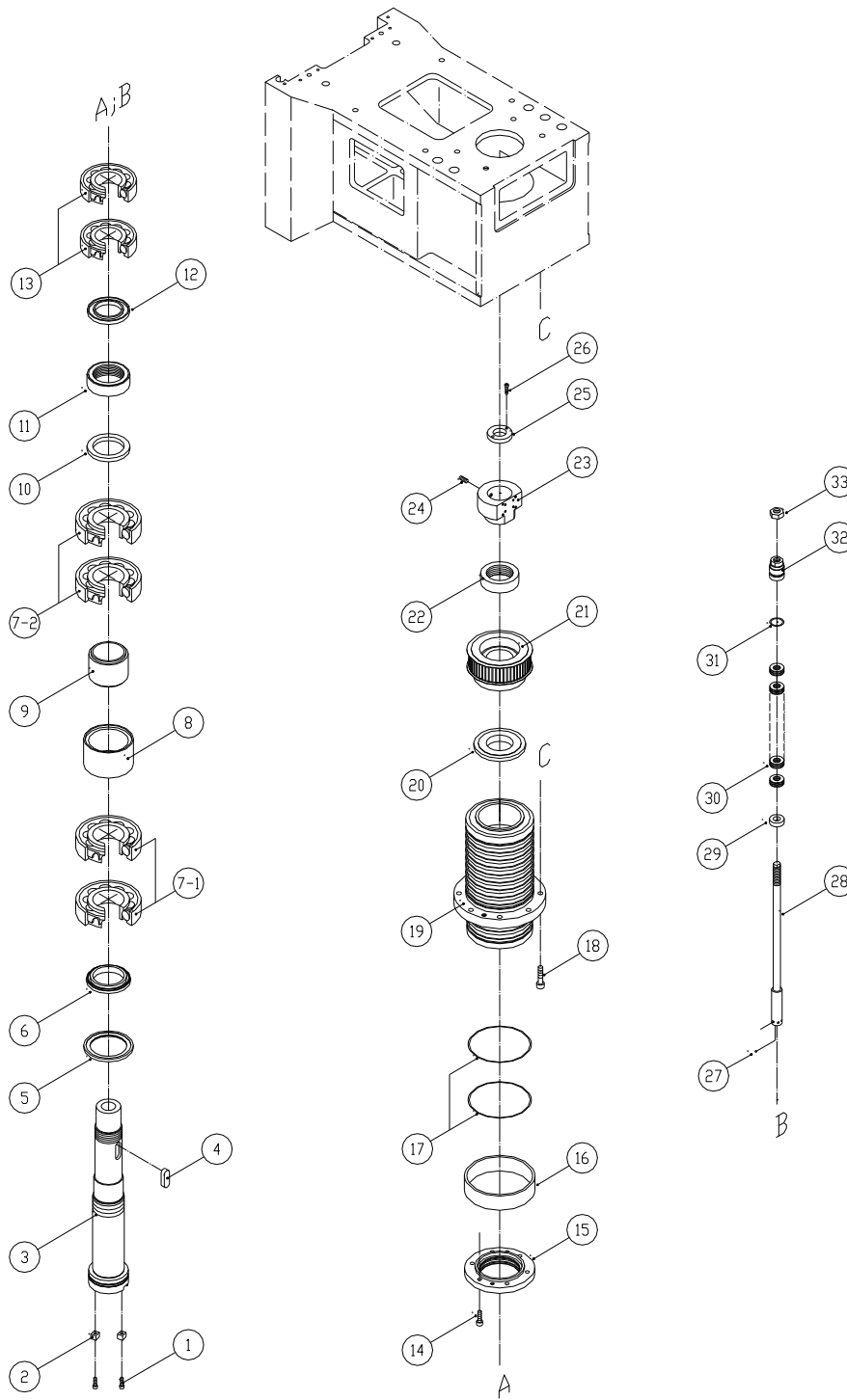
PAGE: 1 / 2


ITEM	PART NO	PART NAME	Q'TY	SPECIFICATION	Remarks
1	3B530010	Head Seat	1		
2	3B500020	Gib (Z-axis)	1		
3	3B530040	Holding plate (Left)	1		
4		Socket HD. Cap Screw	8	M12X35L	
5	3B530050	Holding plate (Right)	1		
6	3B500030	Gib (Z axis, lower)	2		
7	5B300060	Lock Screw	6		
8	3B510010	Wiper (Up Left)	1		
9		Flat Washer	12	W-M5	
10		Round Cross Screw	12	M5X10L	
11	3B510020	Wiper (Up right)	1		
12	3B510030	Wiper (Down Left)	1		
13	3B510040	Wiper (Down Right)	1		
14	5B53004*	Spindle Pulley	1		
15	5B53006*	Motor Bracket	1		
16		Flat Washer	4	W-M12	
17		Spring Washer	4	SW-M12	
18		Socket HD. Cap Screw	4	M12X40L	
19		Spindle motor	1		
20		Flat Washer	4	W-M14	
21		Spring Washer	4	SW-M14	
22		Socket HD. Cap Screw	4	1/2-20UNFX40L	
23	5B530080	Cylinder Bracket	1		

File:3B53P01

02'11.13





MODEL	GSM-1000	SCALE	1:12
		NAME	SPINDLE
		DWG NO.	3B53P02(00'07.19)
 <b>GENG-SHUEN CO., LTD.</b>			

## PART LIST

Model : GSM-1000(SPINDLE)

Page: 1 / 2

ITEM	PART NO.	PART NAME	Q'TY	SPECIFICATION	REMARKS
1		Socket HD. Cap Screw	2	M6X16L	
2	SA21010	Spindle End Key	1		
3	RM41102	Spindle	1		
4		Two Round HD Key	1	16X10X45	
5	SA21040	Ring	1		
6	SA21030	Ring	1		
7		Bearing	4	7014CG/GNP4	NTN
8	SA21070	External Spacing Ring	1		
9	SA21080	Internal Spacing Ring	1		
10	RM40109	Middle Spacing Ring	12		
11		Nut	1	MK70XP2	
12	RM40111	Rear Spacing Ring	1		
13		Bearing	1	7012CG/GNP4	NTN
14		Socket HD. Cap Screw	6	M8X20L	
15	SA21020	Front End Cap	1		
16	RM40129	Bushing	1		
17		O Ring	2	G140	
18		Socket HD. Cap Screw	8	M10X40L	
19	SA21210	Sleeve	1		
20	RM40126	Dustproof Cover	1		
21	SA21160E1	Spindle pulley	1		
22		Rear Nut	1	MK60XP2	
23	RM40115C	Positioning Wheel	1		

File:3B53P02

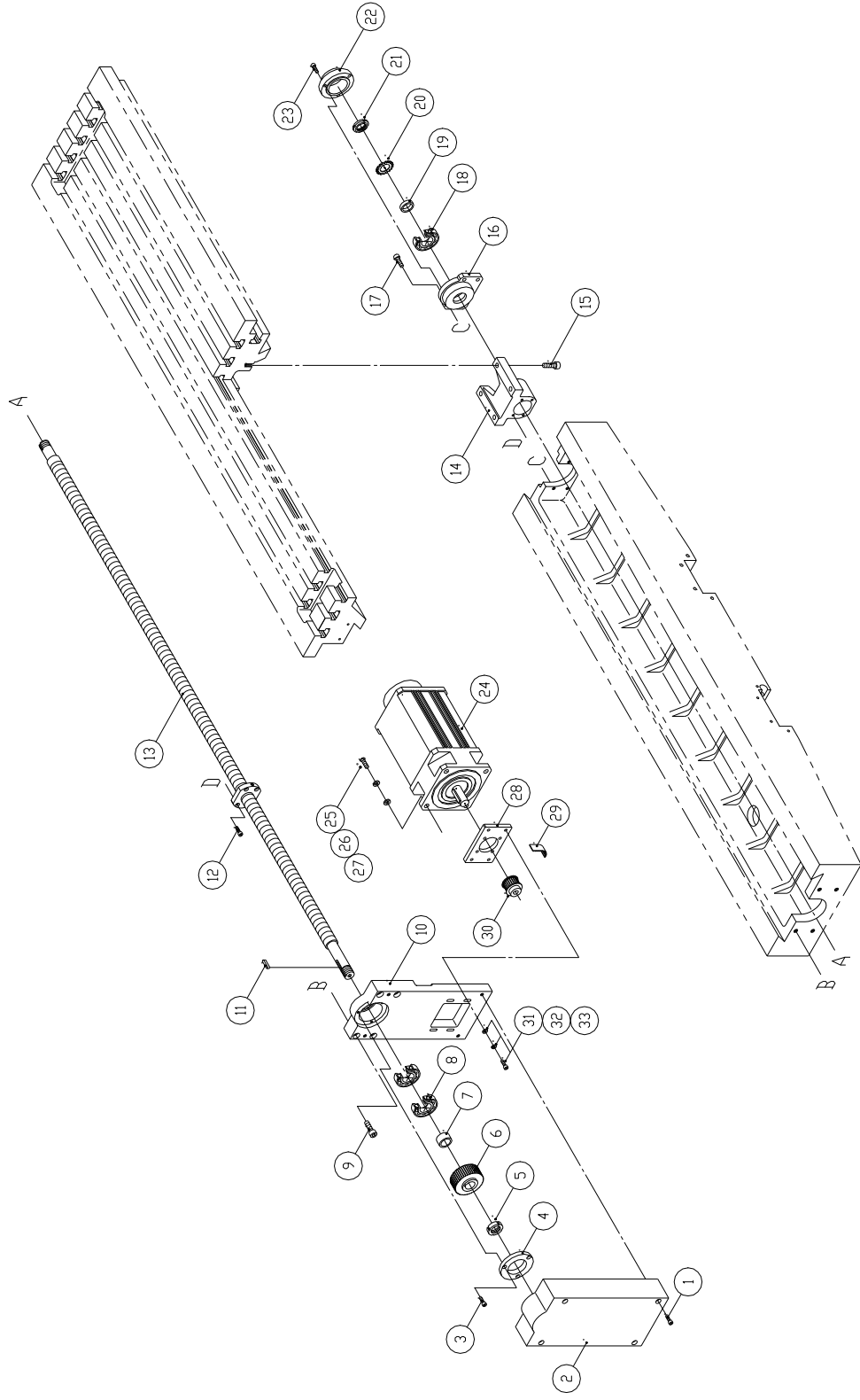
00'07.19


## PART LIST

Model : GSM-1000(SPINDLE)

Page: 2 / 2

ITEM	PART NO.	PART NAME	Q'TY	SPECIFICATION	REMARKS
24		Set Screw	1	M8X10L	
25	RM40128	Gland Cap	1		
26		Socket HD. Cap Screw	2	M6X16L	
27		Steel ball	6	Φ6	
28	RM40116	Draw Bar	1		
29	RM40127	Draw Bar Washer	1		
30		Disk Spring	120	Φ31.5XΦ16.3X2t	
31		O Ring	1	P25	
32	RM40130	Draw Bar Nut	1		
33		Nut	1	M16XP1	



MODEL	GSM-1000	SCALE	1:1.2
		NAME	X-AXIS
		DWG NO.	3BDXP01(98'07.24)
 <b>GENG-SHUEN CO., LTD.</b>			

## PART LIST

Model : GSM-1000(X AXIS)

Page: 1 / 2

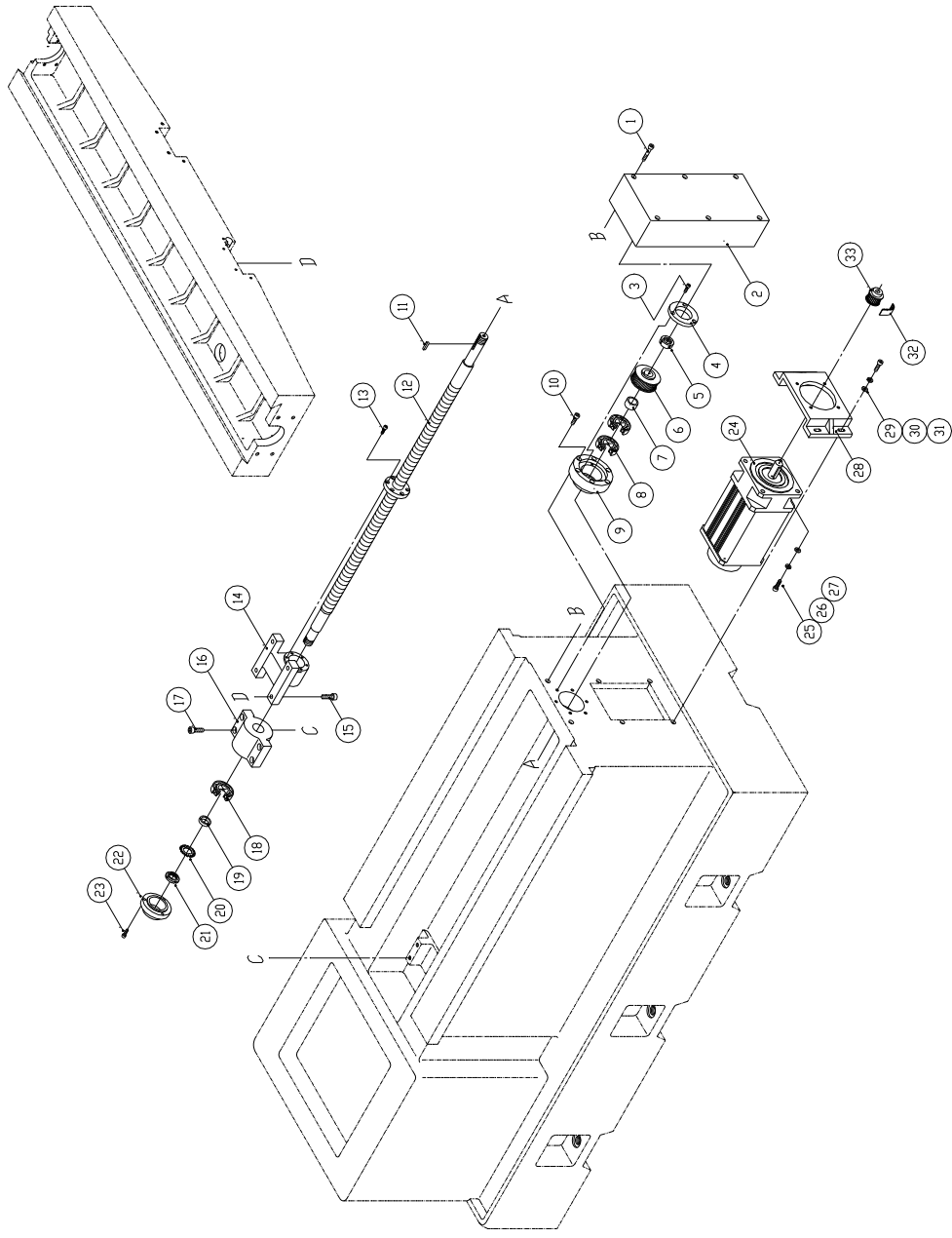
ITEM	PART NO.	PART NAME	Q'TY	PECIFICATION	REMARKS
1		Socket HD. Cap Screw	4	M8X65L	
2	5BDX0090	X-Axis Motor Sealing Gland	1		
3		Socket HD. Cap Screw	3	M6X16L	
4	5BDX0060	Front-end Bearing Collar	1		
5		Lock Nut	1	YSRM25XP1.5	
6	5BDX012*	Driving Pulley	1		
7	5BDX0050	Bearing Collar	1		
8		Angular contact Ball Bearing	1set	25TAC62BDF	
9		Socket HD. Cap Screw	4	M10X30L	
10	3BDX002*	X-axis Motor Bracket	1		
11		Round Key	1	6X6X27L	
12		Socket HD. Cap Screw	4	M6X20L	
13	3BDX0010	X-axis Ball Screw	1set		
14	3BDX0030	X-axis ball screw seat	1		
15		Socket HD. Cap Screw	4	M10X30L	
16	5BDX0040	End-side Bearing Space Collar	1		
17		Socket HD. Cap Screw	4	M8X20L	
18		Deep Groove Ball Bearing	1	6305	
19	5BDX0080	End-side Bearing Space Collar	1		
20		Sun Washer	1	AW-05	
21		Lock Nut	1	AN-05	
22	5BDX0070	End-side Bearing Collar	1		
23		Socket HD. Cap Screw	3	M6X20L	

File:3BDXP01

98'07.24







MODEL	GSM-1000	SCALE	1:15
		NAME	Y-AXIS
		DWG NO.	3BDYP01(98'07.24)



**GENG-SHUEN CO., LTD.**

## PART LIST

Model : GSM-1000(Y AXIS)

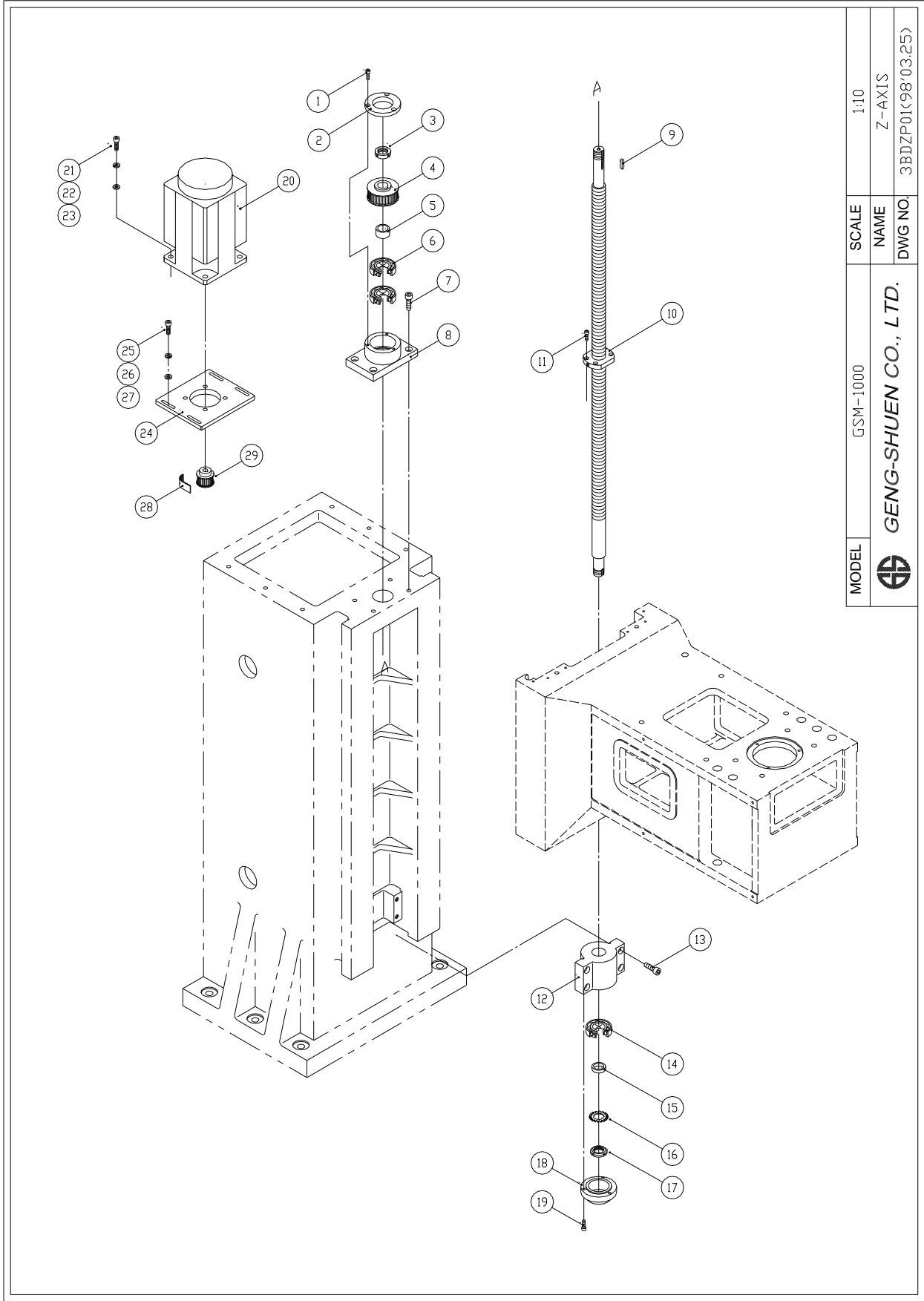
Page: 1 / 2

ITEM	PART NO.	PART NAME	Q'TY	SPECIFICATION	REMARKS
1		Socket HD. Cap Screw	6	M6X65L	
2	5BDY0050	Y Axis Motor Sealing Cap	1		
3		Socket HD. Cap Screw	3	M6X16L	
4	5BDX0060	Front-end bearing collar	1		
5		Lock nut	1	YSRM25XP1.5	
6	5BDX012*	Driving Pulley	1		
7	5BDX0050	Bearing Collar	1		
8		Angular contact Ball Bearing	1set	25TAC62BDF	
9	5BDY0030	Front-end bearing collar	1		
10		Socket HD. Cap Screw	4	M8X40L	
11		Round Key	1	6X6X27L	
12	3BDY0010	Y Axis Ball Screw	1set		
13		Socket HD. Cap Screw	4	M6X20L	
14	3BDY0020	Y-axis ball screw seat	1		
15		Socket HD. Cap Screw	4	M10X30L	
16	5BDY0040	Y.Z. axes end-side bearing seat	1		
17		Socket HD. Cap Screw	4	M8X25L	
18		Angular contact Ball Bearing	1	6305	
19	5BDX0080	End-side bearing space Collar	1		
20		Sun Washer	1	AW-05	
21		Lock nut	1	AN-05	
22	5BDX0070	End-side bearing outer Collar	1		
23		Socket HD. Cap Screw	3	M6X20L	

File:3BDYP01

98'07.24





MODEL	GSM-1000	SCALE	1:10
		NAME	Z-AXIS
		DWG NO.	3BDZP01(98/03.25)
 <b>GENG-SHUEN CO., LTD.</b>			

## PART LIST

MODEL: GSM-1000(Z AXIS)

PAGE: 1 / 2

ITEM	PART NO	PART NAME	Q'TY	SPECIFICATION	Remarks
1		Socket HD. Cap Screw	3	M6X16L	
2	5BDX0060	Front-end bearing outer collar	1		
3		Lock nut	1	YSRM25XP1.5	
4	5BDX012*	Driving Pulley	1		
5	5BDX0050	Bearing Collar	1		
6		Angular contact Ball Bearing	1set	25TAC62BDF	
7		Socket HD. Cap Screw	4	M10X30L	
8	5BDZ0020	Front-end bearing collar	1		
9		Round Key	1	6X6X27L	
10	3BDZ0010	Z-axis Ball Screw	1set		
11		Socket HD. Cap Screw	4	M6X20L	
12	5BDY0040	Y.Z Axes Ball Screw Seat	1		
13		Socket HD. Cap Screw	4	M8X30L	
14		Deep Groove Ball Bearing	1	6305	
15	5BDX0080	End-side bearing space collar	1		
16		Sun Washer	1	AW-05	
17		Lock nut	1	AN-05	
18	5BDX0070	End-side bearing outer Collar	1		
19		Socket HD. Cap Screw	3	M6X20L	
20		Motor	1		
21		Socket HD. Cap Screw	4		
22		Spring Washer	4		
23		Flat Washer	4		

File:3BDZP01

98'03.25

