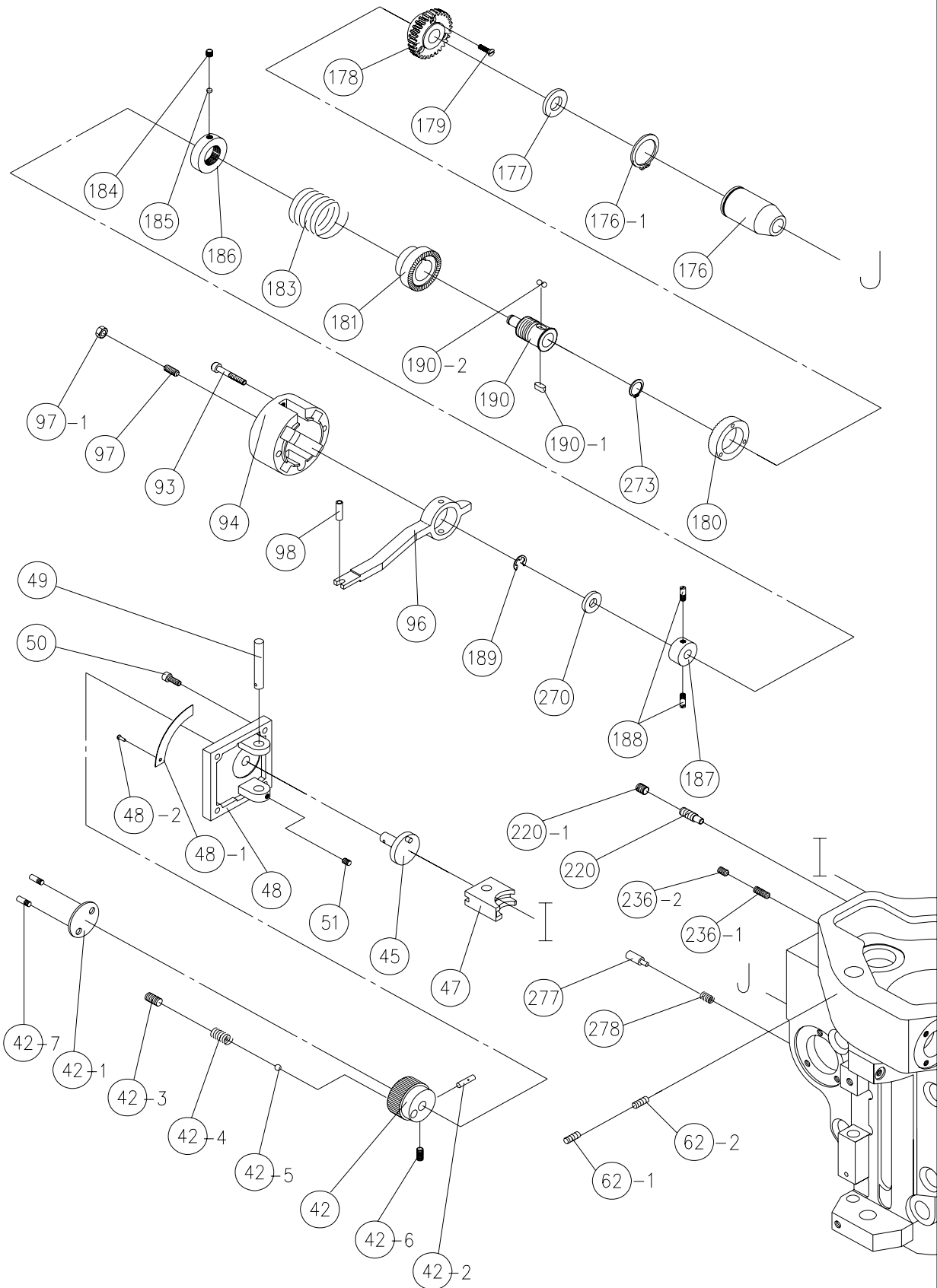




HRAD STOCK UPSIDE PARTS LIST

| NO.    | PART NO.    | DESCRIPTION                 | QTY |
|--------|-------------|-----------------------------|-----|
| 1.     | EV-V147-00  | BELT HOUSING ASSEMBLY       | 1   |
| 2.     | K2-V002-K0  | BELT HOUSING BASE           | 4   |
| 2-1.   | ø1/2x1/4    | ROLL PIN                    | 2   |
| 2-2.   | M5          | NUT                         | 2   |
| 2-3.   | M5x20L      | SOCKET CAP SCREW            | 2   |
| 5.     | EV-V005-00  | SPEED CHANGE HOUSING        | 1   |
| 7.     | K3-V007-00  | SPINDLE MOTOR               | 1   |
| 14.    | K2-V014-00  | SOCKET CAP SCREW            | 3   |
| 15.    | K2-V015-01  | COVER                       | 1   |
| 15-2.  | M4x8L       | ROUND HEAD SCREW            | 4   |
| 24.    | M6x50L      | SOCKET CAP SCREW            | 4   |
| 26.    | 3/8"x1-1/4" | SOCKET CAP SCREW            | 2   |
| 26-1.  | ø3/8"       | SPRING WASHER               | 2   |
| 26-2.  | EV-V026-10  | LOCK HANDLE                 | 1   |
| 26-3.  | EV-V026-20  | BLACK PLASTIC BALL HANDLE   | 1   |
| 42.    | K2-V042-00  | TOP BEARING CAP             | 1   |
| 43.    | 6007ZZ      | BALL BEARING                | 1   |
| 44.    | M6x10L      | SOCKET CAP SCREW            | 3   |
| 45.    | EV-V045-00  | SPINDLE PULLEY HUB          | 1   |
| 46.    | K2-V046-00  | CLUTCH SLEEVE               | 1   |
| 47.    | K2-V047-00  | SPINDLE PULLEY SPACER       | 1   |
| 95.    | K2-V095-00  | BRAKE SHOE ASSEMBLY         | 1   |
| 96.    | M6x20L      | HEX. HD SCREW               | 1   |
| 97.    | K2-V097-00  | BRAKE SHOE PIVOT SLEEVE     | 1   |
| 98.    | M6          | NUT                         | 1   |
| 99.    | K2-V099-00  | SPRING                      | 2   |
| 120.   | EV-V120-00  | GEAR                        | 1   |
| 120-1. | EV-V120-10  | WASHER                      | 1   |
| 120-2. | EV-V120-20  | SOCKET CAP SCREW            | 1   |
| 124.   | K2-A164-00  | BRACKETITE BALL HANDLE      | 1   |
| 125.   | K5-V125-00  | BRAKE HANDLE                | 1   |
| 125-1. | 3/8"        | NUT                         | 1   |
| 126.   | K5-V126-00  | BRAKE KNOB                  | 1   |
| 126-1. | M6x16L      | SOCKET CAP SCREW            | 1   |
| A128.  | EV-A128-00  | GEAR                        | 1   |
| 128.   | K5-V128-00  | BRAKE LOCK SHAFT            | 1   |
| 129.   | K5-V129-00  | SLEEVE FOR BRAKE LOCK SHAFT | 1   |
| 131.   | E10         | SNAP RING                   | 1   |
| 132.   | K2-V132-00  | BRAKE FINGER PIVOT STUD     | 2   |
| 133.   | K5-V133-00  | BRAKE OPERATING FINGER      | 1   |
| 134.   | E5          | SNAP RING                   | 1   |
| 135.   | M6x6L       | SOCKET CAP SCREW            | 2   |
| 144.   | EV-V144-00  | LOCK NUT                    | 1   |
| 144-1. | EV-V144-10  | KEY                         | 1   |
| 147.   | K2-V147-00  | DRAW BAR                    | 1   |
| 149.   | K2-V149-00  | DRAW BAR WASHER             | 1   |
| 162-1. | K3-V162-01  | SPEED NAME PLATE            | 1   |
| 163.   | M5x10L      | ROUND HEAD SCREW            | 4   |
| 250.   | EV-V250-00  | COVER                       | 1   |
| 254.   | EV-V254-00  | SOCKET CAP SCREW            | 6   |

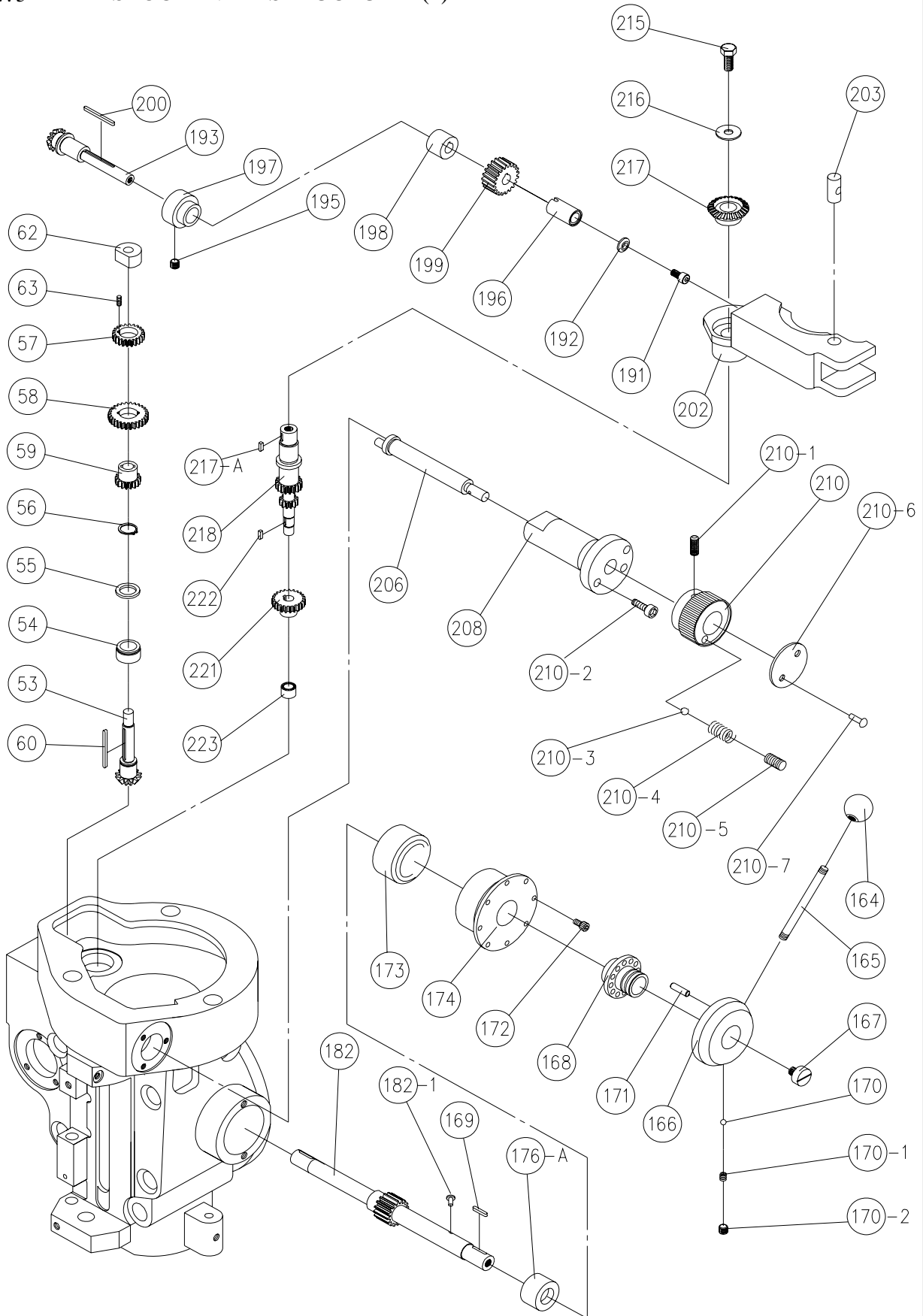
# 12.4 HEAD STOCK INFRASTRUCTURE (1)



## HEAD STOCK INFRASTRUCTURE (1) PARTS LIST

| NO     | PART NO.   | DESCRIPTION                    | QTY |
|--------|------------|--------------------------------|-----|
| 42.    | K5-A042-00 | SHIFT CRANK                    | 1   |
| 42-1.  | K5-A042-10 | NAME PLATE                     | 1   |
| 42-2.  | Ø3x30      | SPRING PIN                     | 1   |
| 42-3.  | K5-A042-30 | COMPRESSION SPRING             | 1   |
| 42-4.  | K5-A042-40 | SPRING                         | 1   |
| 42-5.  | BS-Ø6      | STELL BALL                     | 1   |
| 42-6.  | M6x6       | SET SCREW                      | 1   |
| 42-7.  | K2-A047-00 | RIVEL                          | 2   |
| 45.    | K2-A045-00 | CLUSTER GEAR SHIFT CRANK       | 1   |
| 47.    | K2-A047-00 | FEED GEAR SHIFTER FORK         | 1   |
| 48.    | K2-A048-00 | CLUSTER GEAR COVER             | 1   |
| 48-1.  | PM-G26     | FEED PLAIDE                    | 1   |
| 48-2.  | RT-Ø2x5L   | RIVET                          | 2   |
| 49.    | K2-A049-00 | FEED SHAFT ROD                 | 1   |
| 50.    | M5x15      | SCOKET CAP SCREW               | 4   |
| 51.    | M5x5       | SOCKET SET SCREW               | 1   |
| 62-1.  | K2-A062-B0 | SOCKET SET SCREW M6X10         | 1   |
| 62-2.  | M6x16      | SOCKET SET SCREW               | 1   |
| 93.    | M5x35      | SOCKET SET SCREW               | 2   |
| 94.    | K2-A094-00 | CLUTCH ARM COVER               | 1   |
| 96.    | K2-A096-00 | OVERLOAD CLUTCH TRIP           | 1   |
| 97.    | 1/4"x3/4"  | SOCKET SET SCREW               | 1   |
| 97-1.  | 1/4"       | NUT                            | 1   |
| 98.    | 5x16       | SPRING PIN                     | 1   |
| 176.   | K2-A176-00 | QUILL PINION SHAFT BUSHING     | 1   |
| 176-1. | S-32       | SNAP RING                      | 1   |
| 177.   | K2-A177-00 | PINION SHAFT WORM GEAR SPACER  | 1   |
| 178.   | K2-A178-00 | OVERLOAD CLUTCH WORM GEAR      | 1   |
| 179.   | M4x16      | SOCKET CAP SCREW               | 3   |
| 180.   | K2-A180-00 | OVERLOAD CLUTCH RING           | 1   |
| 181.   | K2-A181-00 | OVERLOAD CLUTCH                | 1   |
| 183.   | K2-A183-00 | SAFETY CLUTCH SPRING           | 1   |
| 184.   | M6x6       | SOCKET SET SCREW               | 1   |
| 185.   | K2-A185-00 | SPACER                         | 1   |
| 186.   | K2-A186-00 | OVERLOAD CLUTCH ADJUSTABLE NUT | 1   |
| 187.   | K2-A187-00 | OVERLOAD CLUTCH RING           | 1   |
| 188.   | K2-A188-00 | OVERLOAD CLUTCH RING PIN       | 2   |
| 189.   | E-8        | SNAP RING                      | 1   |
| 190.   | K2-A190-00 | OVERLOAD CLUTCH SLEEVE         | 1   |
| 190-1. | 4.5x5X12   | KEY                            | 1   |
| 190-2. | K2-A190-20 | STEEL BALL                     | 2   |
| 220.   | K2-A220-00 | SOCKET SET SCREW               | 1   |
| 220-1. | K2-A220-A0 | SOCKET SET SCREW               | 1   |
| 236-1. | M6x10      | SOCKET SET SCREW               | 1   |
| 236-2. | K2-A236-B0 | SOCKET SET SCREW               | 1   |
| 270.   | K2-A270-00 | WASHER                         | 1   |
| 273.   | S-15       | SNAP RING                      | 1   |
| 277.   | K2-A277-00 | PIN                            | 1   |
| 278.   | K2-A278-00 | COMPRESSION SPRING             | 1   |

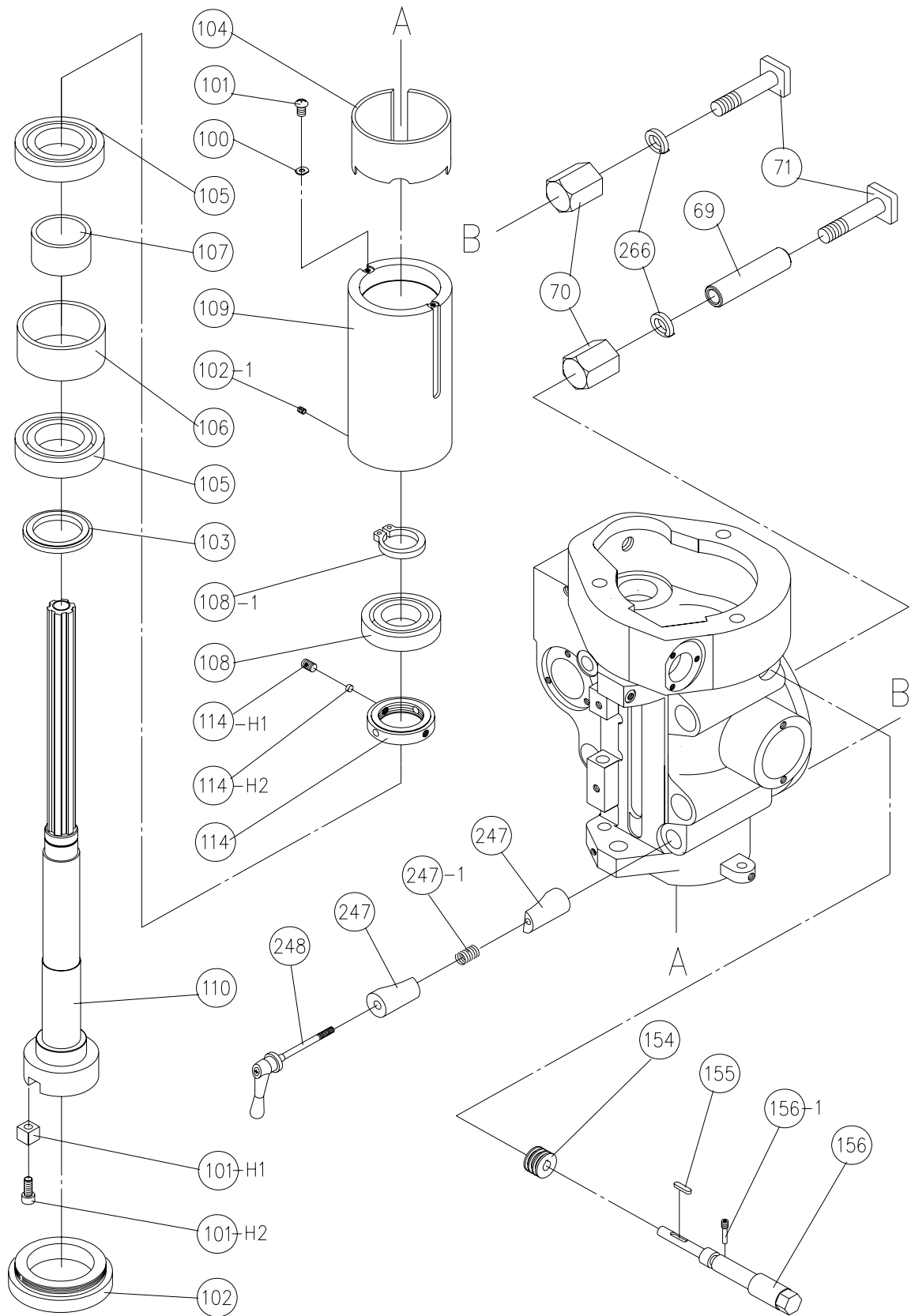
## 12.5 HEAD STOCK INFRASTRUCTURE (2)



## HEAD STOCK INFRASTRUCTURE (2) PARTS LIST

| NO     | PART NO.    | DESCRIPTION                     | QTY |
|--------|-------------|---------------------------------|-----|
| 53.    | K2-A053-00  | FEED REVERSE BEVEL PINION       | 1   |
| 54.    | K2-A054-00  | BEVEL GEAR BEARING              | 1   |
| 55.    | K2-A055-00  | BEVEL GEAR THRUST WASHER        | 1   |
| 56.    | S-16        | SNAP RING                       | 1   |
| 57.    | K2-A057-00  | FEED DRIVE CLUSTER GEAR (UPPER) | 1   |
| 58.    | K2-A058-00  | FEED DRIVE CLUSTER GEAR (ENTER) | 1   |
| 59.    | K2-A059-00  | FEED DRIVE CLUSTER GEAR         | 1   |
| 60.    | 3x3x45      | KEY                             | 1   |
| 62.    | K2-A062-00  | TRIP SHAFT BUSHING              | 1   |
| 63.    | M4x10       | CLUSTER GEAR PIN                | 1   |
| 164.   |             | BLACK PLASTIC BALL HANDLE       | 1   |
| 165.   | K2-A165-00  | PINION SHAFT HUB HANDLE         | 1   |
| 166.   | K2-A166-00  | PINION SHAFT HUB                | 1   |
| 167.   | K2-A167-00  | PINION SHAFT HUB SCREW          | 1   |
| 168.   | K2-A168-00  | PINION SHAFT HUB SLEEVE         | 1   |
| 169.   | 3x3x18      | KEY                             | 1   |
| 170.   |             | STEEL BALL                      | 1   |
| 170-1. | K2-A170-A0  | COMPRESSION SPRING              | 1   |
| 170-2. | 5/16"x5/16" | SOCKET SET SCREW                | 1   |
| 171.   | 5x20        | ROLLING PIN                     | 1   |
| 172.   | M5x10       | SOCKET SET SCREW                | 2   |
| 173.   | K2-A173-00  | CLOCK SPRING                    | 1   |
| 174.   | K2-A174-00  | SPRING COVER                    | 1   |
| 176-A. | K4-A176-10  | SHAFT BUSHING                   | 1   |
| 182.   | K2-A182-00  | QUILL PINION SHAFT              | 1   |
| 182-1. | K2-A182-A0  | PIN                             | 1   |
| 191.   | M6x12       | ROUND HEAD SCREW                | 1   |
| 192.   | K2-A192-00  | BEVEL PINION WASHER             | 1   |
| 193.   | K2-A193-00  | FEED BEVEL PINION               | 1   |
| 195.   | M6x6        | SOCKET SET SCREW                | 1   |
| 196.   | K2-A196-00  | FEED WORM GEAR SHAFT SLEEVE     | 1   |
| 197.   | K2-A197-00  | WORM CRADLE BUSHING             | 1   |
| 198.   | K2-A198-00  | WORM GEAR SPACER                | 1   |
| 199.   | K2-A199-00  | FEED DRIVE WORM GEAR            | 1   |
| 200.   | 3x3x25      | KEY                             | 1   |
| 202.   | K2-A202-00  | WORM GEAR CRADLE                | 1   |
| 203.   | K2-A203-00  | FEED ENGAGE PIN                 | 1   |
| 206.   | K2-A206-00  | WORM GEAR CRADLE THROW-OUT      | 1   |
| 208.   | K2-A208-00  | SHIFT SLEEVE                    | 1   |
| 210.   | K2-A210-00  | SHIFTER CRANK                   | 1   |
| 210-1. | M6x10       | SOCKET SET SCREW                | 1   |
| 210-2. | M5x12       | SOCKET CAP SCREW                | 1   |
| 210-3. |             | STEEL BALL                      | 1   |
| 210-4. | K2-A210-40  | COMPRESSION SPRING              | 1   |
| 210-5. | M6x6        | SOCKET SET SCREW                | 1   |
| 210-6. | K5-A210-60  | NAME PLATE                      | 1   |
| 210-7. |             | RIVEL                           | 2   |
| 215.   | M8          | HEX. NUT                        | 1   |
| 216.   | 5/16"       | WASHER                          | 1   |
| 217.   | K2-A217-00  | FEED REVERSE BEVEL GEAR         | 1   |
| 217-1. | 3x3x9.5     | KEY                             | 1   |
| 218.   | K2-A218-00  | FEED DRIVING GEAR               | 1   |
| 221.   | K2-A221-00  | FEED DRIVE GEAR                 | 1   |
| 222.   | 3x3x8       | KEY                             | 1   |
| 223.   | B-66        | TORRINGTON NEEDLE BEARING       | 1   |

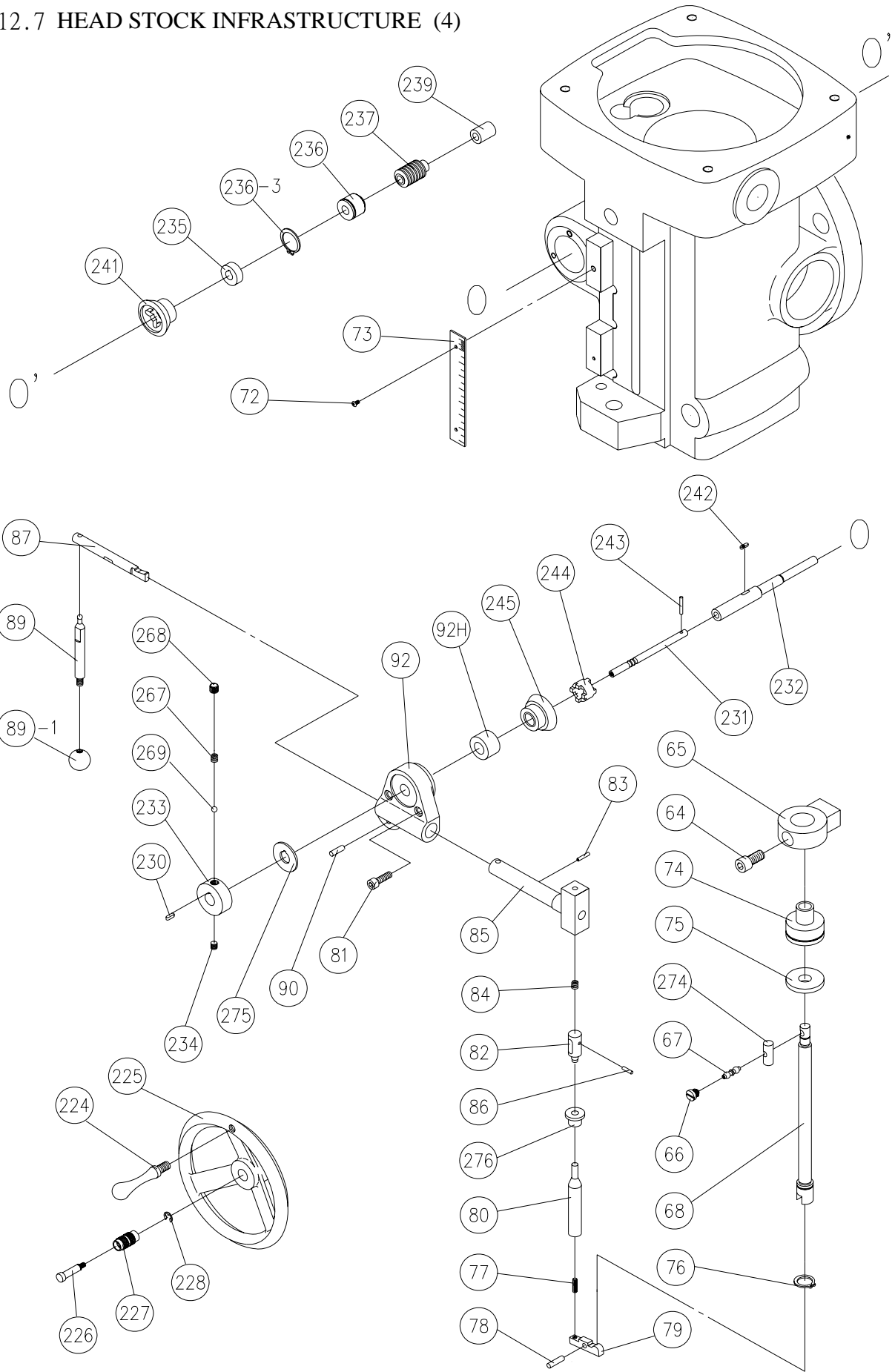
### 12.6 HEAD STOCK INFRASTRUCTURE (3)



### HEAD STOCK INFRASTRUCTURE (3) PARTS LIST

| NO      | PART NO.    | DESCRIPTION               | QTY |
|---------|-------------|---------------------------|-----|
| 12.     | K2-A012-00  | QUILL HOUSING             | 1   |
| 69.     | K2-A069-00  | BUSH                      | 4   |
| 70.     | K2-A070-00  | HEX. NUT                  | 4   |
| 71.     | K2-A071-00  | 1/2" T-BOLT               | 4   |
| 100.    | K2-A100-00  | WASHER                    | 2   |
| 101.    | M5x8        | OVAL HEAD SCREW           | 2   |
| 102.    | K2-A102-00  | #7207 NOSE CAP R8         | 1   |
| 102-1.  | M5x6L       | SOCKET SET SCREW          | 1   |
| 103.    | K2-A103-00  | #7207 SPINDLE DIRT SHIELD | 1   |
| 104.    | K2-A104-00  | OIL BAFFLE                | 1   |
| 105.    | 7207B       | BEARING                   | 1   |
| 106.    | K2-A106-00  | BEARING SPACER            | 1   |
| 107.    | K2-A107-00  | GEARING SPACER            | 1   |
| 108.    | 6206        | BEARING                   | 1   |
| 108-1.  | S-30        | SNAP RING                 | 1   |
| 109.    | K2-A109-00  | SLEEVE                    | 1   |
| 101-H1. | K2-A101-A0  | LOCK BLOCK                | 2   |
| 101-H2. | M6x16       | SOCKET SET SCREW          | 2   |
| 110.    | K2-A110-A0  | BEARING SLEEVE R8         | 1   |
| 110-H1. | K2-A110-H1  | BEARING SLEEVE 30#        | 1   |
| 110-H2. | K2-A110-H2  | KEY (30#)                 | 2   |
| 114.    | K2-A114-00  | LOCK NUT                  | 1   |
| 114-H1. | 5/16"x5/16" | SET SCREW                 | 2   |
| 114-H2. | K2-A114-H2  | PRESSUSE WASHER           | 2   |
| 154.    | K2-A154-00  | WORM GEAR                 | 1   |
| 155.    | 3X3X15      | KEY                       | 1   |
| 156.    | K2-A156-00  | WORM SHAFT                | 1   |
| 156-1.  | K2-A156-A0  | WORM SHAFT                | 1   |
| 247.    | K2-A247-00  | QUILL LOCK SLEEVE         | 1   |
| 247-1.  | K2-A247-10  | COMPRESSION SPRING        | 1   |
| 248.    | K2-A248-00  | QUILL LOCK BOLT           | 1   |
| 266.    | K2-A266-00  | WASHER                    | 2   |

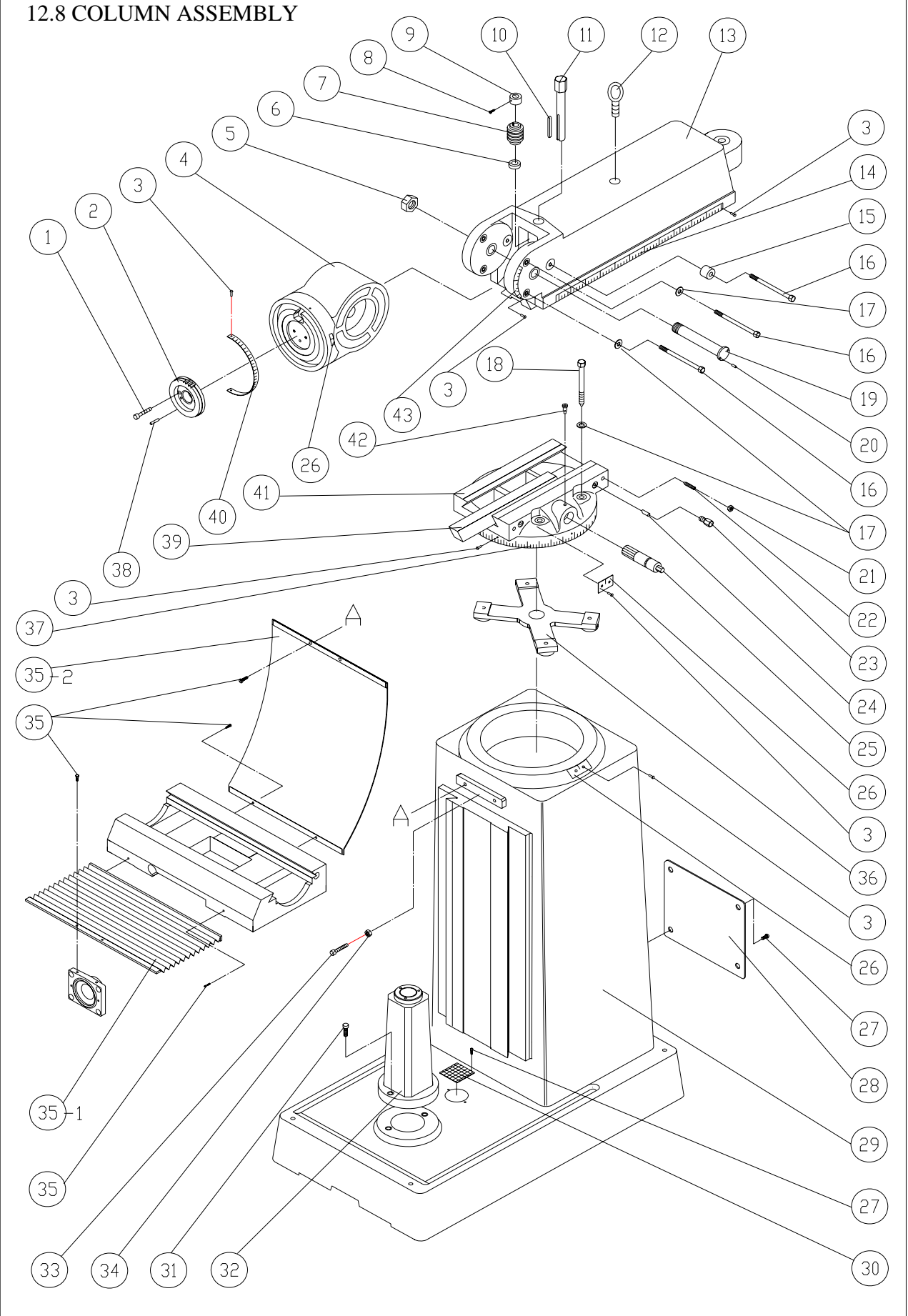
# 12.7 HEAD STOCK INFRASTRUCTURE (4)



## HEAD STOCK INFRASTRUCTURE (4) PARTS LIST

| NO     | PART NO.    | DESCRIPTION                       | QTY |
|--------|-------------|-----------------------------------|-----|
| 64.    | 3/8"x3/4"   | SOCKET SET SCREW                  | 1   |
| 65.    | K2-A065-00  | QUILL STOP KNOB                   | 1   |
| 66.    | K2-A066-00  | REVERSE TRIP BALL LEVER SCREW     | 1   |
| 67.    | K2-A067-00  | REVERSE TRIP BALL LEVER           | 1   |
| 68.    | K2-A068-I 0 | QUILL STOP MICRO SCREW (INCH)     | 1   |
|        | K2-A068-M0  | QUILL STOP MICRO SCREW (METRIC)   | 1   |
| 72.    | M3x4        | M3 ROUND HEAD SCREW               | 2   |
| 73.    | K2-A073-I0  | MICROMETER SCALE (IMPERIAL)       | 1   |
|        | K2-A073-M0  | MICROMETER SCALE (METRIC)         | 1   |
| 74.    | K2-A074-I0  | DIAL WITH 50 GRADUATIONS (INCH)   | 1   |
|        | K2-A074-M0  | DIAL WITH 50 GRADUATIONS (METRIC) | 1   |
| 75.    | K2-A075-I0  | QUILL DIAL STOP NUT (INCH)        | 1   |
|        | K2-A075-M0  | QUILL DIAL STOP NUT (METRIC)      | 1   |
| 76.    | S-16        | SNAP RING                         | 1   |
| 77.    | M4x16       | SOCKET SET SCREW                  | 1   |
| 78.    | K2-A078-00  | PIN                               | 1   |
| 79.    | K2-A079-00  | FEED TRIP LEVER                   | 1   |
| 80.    | K2-A080-00  | FEED TRIP PLUNGER                 | 1   |
| 81.    | M6x20       | SOCKET CAP SCREW                  | 2   |
| 82.    | K2-A082-00  | GEARSHAFT PLUNGER                 | 1   |
| 83.    | 3x15        | ROLL PIN                          | 1   |
| 84.    | K2-A084-00  | COMPRESSION SPRING                | 1   |
| 85.    | K2-A085-00  | FEED TRIP PLUNGER BUSHING         | 1   |
| 86.    | 3x12        | ROLLING PIN                       | 1   |
| 87.    | K2-A087-00  | CAM ROD                           | 1   |
| 89.    | K2-A089-00  | TRIP HANDLE                       | 1   |
| 89-1.  | 1/4"        | BLACK PLASTIC BALL HANDLE         | 1   |
| 90.    | 5x16        | SPRING PIN                        | 1   |
| 92.    | K2-A092-00  | FEED TRIP BRACKET                 | 1   |
| 92H.   | K2-A092-H0  | BUSHING                           | 1   |
| 224.   | K2-A224-00  | HANDLEWHEEL HANDLE                | 1   |
| 225.   | K2-A225-00  | HANDLEWHEEL                       | 1   |
| 226.   | K2-A226-00  | FEED REVERSE KNOB STUD            | 1   |
| 227.   | K2-A227-00  | REVERSE KNOB                      | 1   |
| 228.   | E-5         | SNAP RING                         | 1   |
| 230.   | 3x3x10      | KEY                               | 1   |
| 231.   | K2-A231-00  | REVERSE CLUTCH ROD                | 1   |
| 232.   | K2-A232-00  | FEED WORM SHAFT                   | 1   |
| 233.   | K2-A233-00  | HANDWHEEL CLUTCH                  | 1   |
| 234.   | M6x6        | SOCKET SET SCREW                  | 1   |
| 235.   | K2-A235-00  | WASHER                            | 1   |
| 236.   | K2-A236-00  | WORM SHAFT BUSHING                | 1   |
| 236-3. | S-22        | SNAP RING                         | 1   |
| 237.   | K2-A237-00  | WORM                              | 1   |
| 239.   | K2-A239-00  | BUSHING                           | 1   |
| 241.   | K2-A241-00  | FEED REVERSE BEVEL GEAR           | 2   |
| 242.   | 3x3x15      | KEY                               | 1   |
| 243.   | 3x20        | SPRING PIN                        | 1   |
| 244.   | K2-A244-00  | FEED REVERSE CLUTCH               | 1   |
| 267.   | K2-A267-00  | COMPRESSION SPRING                | 1   |
| 268.   | M8x6        | SOCKET SET SCREW                  | 1   |
| 269.   | 3/16"       | STEEL BALL                        | 1   |
| 274.   | K2-A274-00  | PIN                               | 1   |
| 275.   | K2-A275-00  | WASHER                            | 1   |
| 276.   | K2-A276-00  | TRIP PLUNGER BUSHING              | 1   |

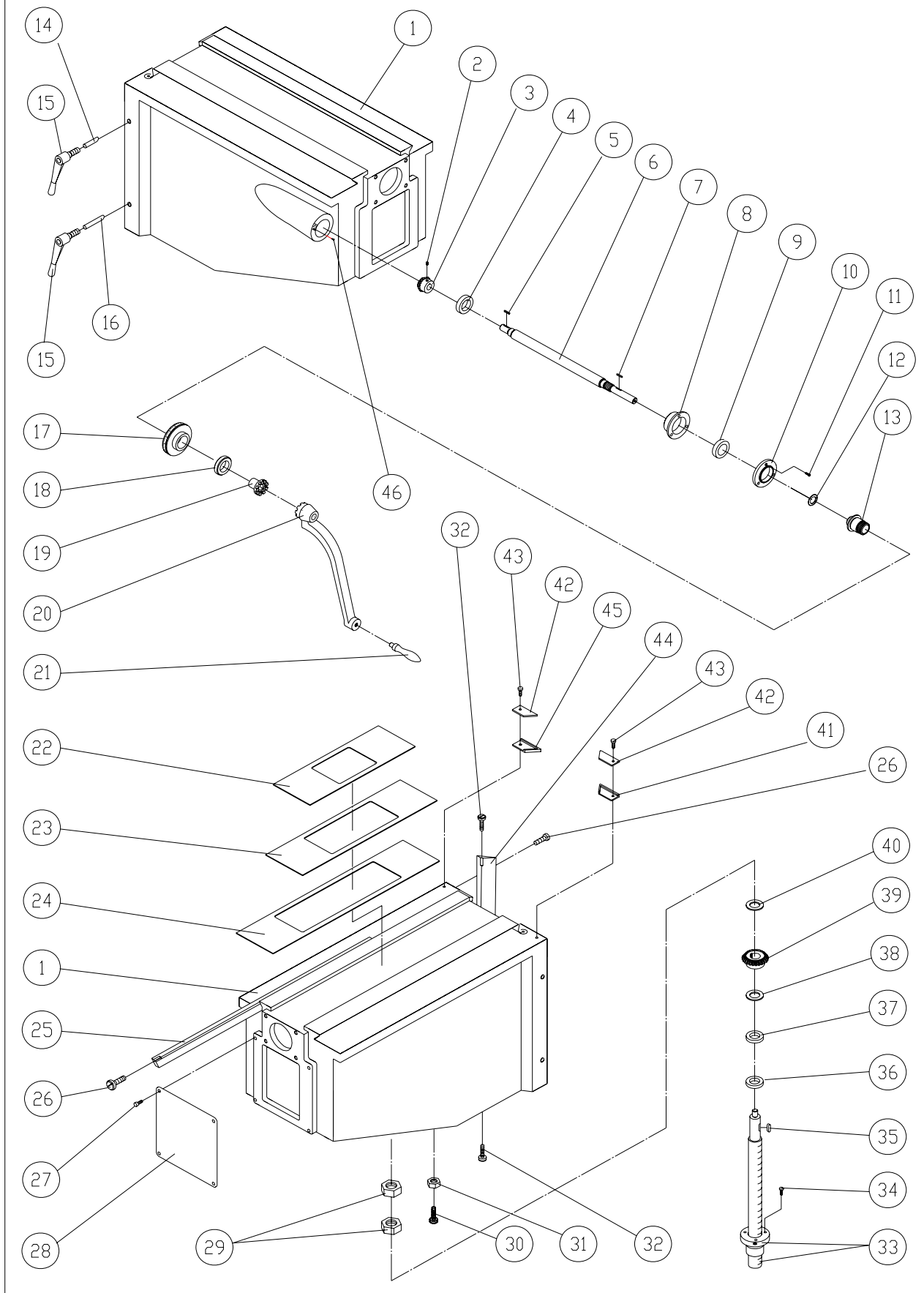
# 12.8 COLUMN ASSEMBLY



COLUMN ASSEMBLY PARTS LIST

| NO    | PART NO.   | DESCRIPTION                   | QTY |
|-------|------------|-------------------------------|-----|
| 01.   | M8x25      | SOCKET CAP SCREW              | 2   |
| 02.   | K2-C001-00 | QUILL HOUSING ADJUSTING GEAR  | 1   |
| 03.   |            | RIVEL                         | 18  |
| 04.   | K2-C002-00 | RAM ADAPTOR                   | 1   |
| 05.   | K2-C004-10 | ADAPTOR PIVOT STUD LOCK NUT   | 1   |
| 06.   | K2-C012-00 | WORM WASHER                   | 1   |
| 07.   | K2-C006-00 | VERTICAL ADJUSTING WORM       | 1   |
| 08.   | M6x8       | SET SCREW                     | 1   |
| 09.   | K2-C007-00 | SPACING RING                  | 1   |
| 10.   | 5x5x50     | KEY                           | 1   |
| 11.   | K3-C008-00 | VERTICAL ADJUSTING WORM SHAFT | 1   |
| 12.   | K2-C011-00 | HOOK BOLT                     | 1   |
| 13.   | K3-C010-00 | RAM                           | 1   |
| 14.   | PM-DE05-00 | RAM SCALE                     | 1   |
| 15.   | K3-C010-10 | SPACING RING                  | 1   |
| 16.   | K2-C019-00 | ADAPTOR LOCK BOLT             | 3   |
| 17.   | K2-C018-00 | WASHER                        | 6   |
| 18.   | K2-C127-00 | ADAPTOR LOCK BOLT             | 4   |
| 19.   | K2-C017-10 | ADAPTOR PIVOT STUD            | 1   |
| 20.   | Ø5x14      | SPRING PIN                    | 2   |
| 21.   | 3/8" NC    | NUT                           | 2   |
| 22.   | K5-C110-00 | SCREW                         | 2   |
| 23.   | K2-C107-00 | RAM LOCKING BOLT              | 2   |
| 24.   | K2-C046-70 | LOCK PLUNGER                  | 2   |
| 25.   | K2-C120-00 | RAM PINION                    | 1   |
| 26.   | PM-DE12-00 | ZERO PLATE                    | 3   |
| 27.   | M5x6       | OVAL HEAD SCREW               | 6   |
| 28.   | K5-C135-00 | COOLANT PUMP COVER            | 1   |
| 29.   | L3-C098-00 | COLUMN                        | 1   |
| 30.   | K2-C130-00 | STRAINER NET                  | 1   |
| 31.   | M10X30     | SOCKET CAP SCREW              | 2   |
| 32.   | L3-C103-00 | PEDESTAL                      | 1   |
| 33.   | M8x50      | SOCKET CAP SCREW              | 1   |
| 34.   | M8         | NUT                           | 1   |
| 35.   | M5x12      | OVAL HEAD SCREW               | 2   |
| 35-1. | L3-C100-00 | WAVE WAY COVER                | 1   |
| 35-2. | L3-C101-00 | FLAT WAY COVER                | 1   |
| 36.   | K2-C118-00 | SLIDER                        | 1   |
| 37.   | PM-DE07-00 | TURRET SCALE                  | 1   |
| 38.   | Ø6x24      | ROLL PIN                      | 1   |
| 39.   | L3-C111-00 | RAM / TURRET GIB              | 1   |
| 40.   | PM-DE08-00 | ADAPTOR SCALE                 | 1   |
| 41.   | L3-C124-00 | TURRET                        | 1   |
| 42.   | K2-C128-00 | RAM PINION SET SCREW          | 1   |
| 43.   | PM-DE15-00 | ADAPTOR SCALE                 | 1   |

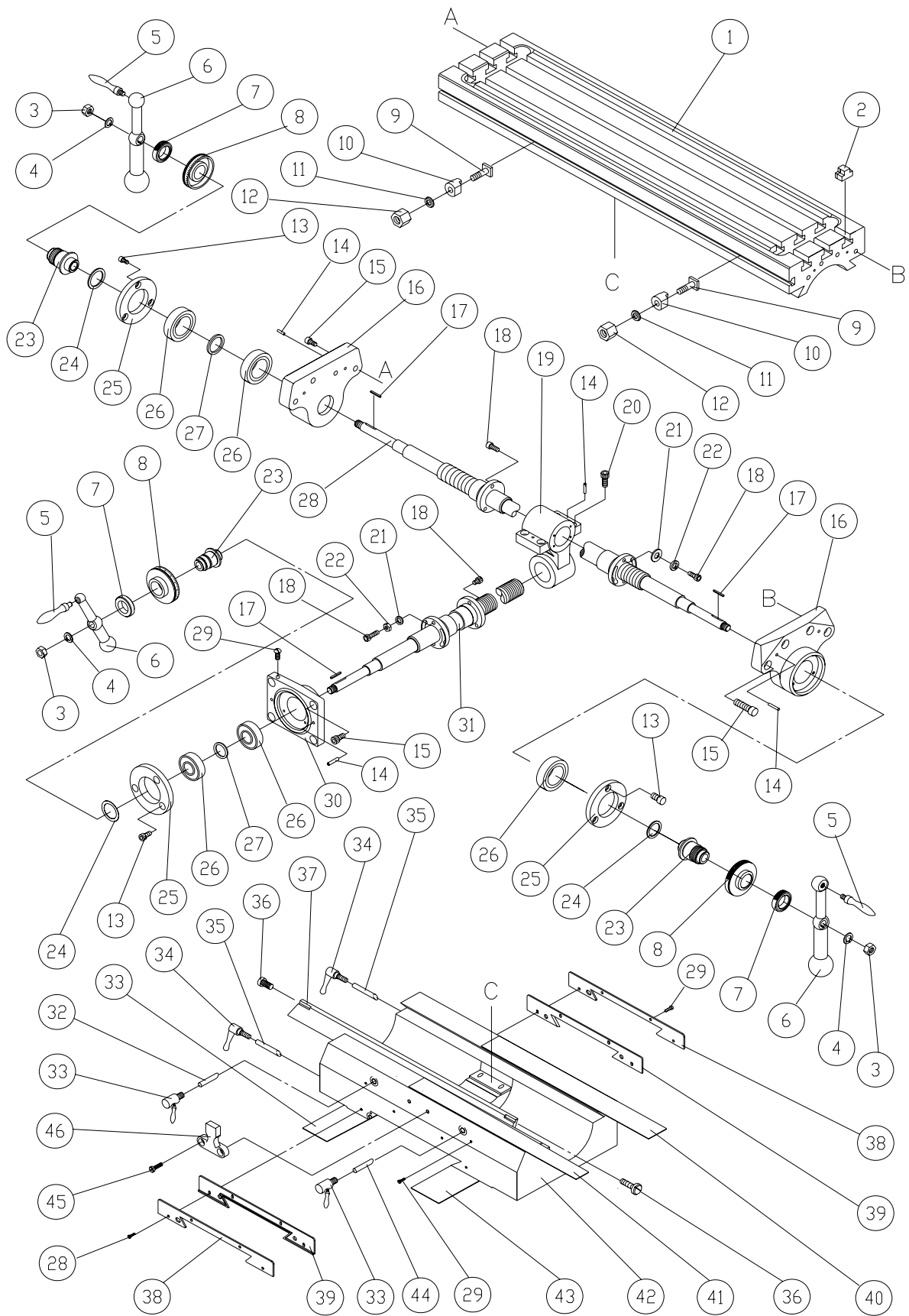
# 12.9 KNEE ASSEMBLY



## KNEE ASSEMBLY PARTS LIST

| NO  | PART NO.    | DESCRIPTION                       | QTY |
|-----|-------------|-----------------------------------|-----|
| 01. | L3-C062-00  | KNEE                              | 1   |
| 02. | M6x8        | SET SCREW                         | 2   |
| 03. | K2-C096-00  | BEVEL PINION                      | 1   |
| 04. | 6204ZZ      | BALL BEARING                      | 1   |
| 05. | 4x4x18      | KEY                               | 1   |
| 06. | L3-C094-00  | ELEVATING SHAFT                   | 1   |
| 07. | 3x3x18      | KEY                               | 1   |
| 08. | K2-C092-00  | BEARING RETAINER RING             | 1   |
| 09. | 6204Z       | BEARING                           | 1   |
| 10. | K2-C090-00  | BEARING CAP                       | 1   |
| 11. | M6x12       | SOCKET CAP SCREW                  | 3   |
| 12. | K2-C089-00  | WASHER                            | 1   |
| 13. | K2-C086-00  | DIAL NUT                          | 1   |
| 14. | L3-C065-00  | LOCK PLUNER                       | 1   |
| 15. | K5-C040-00  | LOCK BOLT                         | 2   |
| 16. | L3-C065-10  | LOCK PLUNGER                      | 1   |
| 17. | K2-C087-I 0 | DIAL (INCH)                       | 1   |
|     | K2-C087-M0  | DIAL (METRIC)                     | 1   |
| 18. | K2-C088-00  | DIAL NUT                          | 1   |
| 19. | K2-C085-00  | GEAR SHAFT CLUTH INSERT           | 1   |
| 20. | K5-C084-00  | ELEVATING CRANK                   | 1   |
| 21. | K5-C083-00  | HANDLE                            | 1   |
| 22. | L3-C059-00  | CHIP GUARD - UP                   | 1   |
| 23. | L3-C060-00  | CHIP GUARD - MIDDLE               | 1   |
| 24. | L3-C061-00  | CHIP GUARD - LOWER                | 1   |
| 25. | K2-C049-00  | SADDLE RAIL GIB                   | 1   |
| 26. | K2-C041-00  | GIB ADJUSTING SCREW               | 2   |
| 27. | M5x6        | OVAL HEAD SCREW                   | 4   |
| 28. | L3-C134-00  | KNEE COVER                        | 1   |
| 29. | 1/2" NF     | NUT                               | 2   |
| 30. | M8x16       | SOCKET CAP SCREW                  | 1   |
| 31. | M8          | NUT                               | 1   |
| 32. | K2-C041-A0  | GIB ADJUSTING SCREW               | 2   |
| 33. | K2-C106-I0  | ELEVATING SCREW ASSEMBLY (INCH)   | 1   |
|     | K2-C106-M0  | ELEVATING SCREW ASSEMBLY (METRIC) | 1   |
| 34. | M6x16       | SOCKET CAP SCREW                  | 3   |
| 35. | 5x5x22      | KEY                               | 1   |
| 36. | 51205       | THRUST BALL BEARNG                | 1   |
| 37. | 6005Z       | BALL BEARING                      | 1   |
| 38. | K2-C079-00  | SPACING WASHER                    | 1   |
| 39. | K2-C077-00  | BEVLE GEAR                        | 1   |
| 40. | K2-C076-00  | WASFER                            | 1   |
| 41. | L3-C054-I0  | FELT WIPERS                       | 1   |
| 42. | L3-C057-I0  | SADDLE WIPER PLATE                | 2   |
| 43. | M5x10       | OVAL HEAD SCREW                   | 4   |
| 44. | K2-C055-00  | KNEE COLUMN GIB                   | 1   |
| 45. | L3-C053-I0  | FELT WIPERS                       | 1   |
| 46. |             | RIVEL                             | 2   |

# 12.10 TABLE, SADDLE ASSEMBLY



TABLE, SADDLE ASSEMBLY PARTS LIST

| NO  | PART NO.     | DESCRIPTION                                | QTY |
|-----|--------------|--|-----|
| 01. | L3-C023-00   | 10"x50" TABLE                              | 1   |
|     | L3-C023-40   | 10"x54" TABLE                              | 1   |
| 02. | K2-D029-00   | CHOCK PLUG                                 | 6   |
| 03. | 1/2" - 20 NF | NUT  | 3   |
| 04. | Ø1/2"        | SPRING WASHER                              | 3   |
| 05. | K2-C083-00   | HANDLE                                     | 3   |
| 06. | K2-D026-00   | BALL CRANK HANDLE                          | 3   |
| 07. | K2-D003-00   | DIAL LOCK NUT                              | 3   |
| 08. | K2-D004-I0   | DIAL (INCH)                                | 3   |
|     | K2-D004-M0   | DIAL (METRIC)                              | 3   |
| 09. | K2-C031-00   | STOP PIECE T-BOLT                          | 2   |
| 10. | K2-C032-00   | TABLE STOP PIECE                           | 2   |
| 11. | K2-C033-00   | WASHER                                     | 2   |
| 12. | 3/8" NC      | NUT  | 2   |
| 13. | M6x12        | SOCKET CAP SCREW                           | 9   |
| 14. | Ø5x24        | SPRING PIN                                 | 8   |
| 15. | M10x20       | SOCKET CAP SCREW                           | 12  |
| 16. | K2-D011-00   | BEARING BRACKET                            | 2   |
| 17. | 3x3x25       | KEY  | 3   |
| 18. | M6x16        | SOCKET CAP SCREW                           | 10  |
| 19. | K2-D022-00   | FEED NUT BRACKET                           | 1   |
| 20. | M10x25       | SOCKET CAP SCREW                           | 4   |
| 21. | 1/4"xØ16     | WASHER                                     | 4   |
| 22. | Ø6           | SPRING WASHER                              | 4   |
| 23. | K2-D005-00   | DIAL HOLDER                                | 3   |
| 24. | EK-1112-A0   | WASHER                                     | 3   |
| 25. | K2-C090-00   | BEARING CAP                                | 3   |
| 26. | 6204Z        | BALL BEARING                               | 5   |
| 27. | K2-D018-00   | ADJUSTING WASHER                           | 2   |
| 28. | L3-D017-I0   | LONGITUDINAL FEED SCREW (INCH TABLE 50")   | 1   |
|     | L3-D017-M0   | LONGITUDINAL FEED SCREW (METRIC TABLE 50") | 1   |
|     | L3-D017-I4   | LONGITUDINAL FEED SCREW (INCH TABLE 54")   | 1   |
|     | L3-D017-M4   | LONGITUDINAL FEED SCREW (METRIC TABLE 54") | 1   |
| 29. | M5x12        | OVAL HEAD SCREW                            | 14  |
| 30. | K2-D028-00   | CROSS FEED BEARING BRACKET                 | 1   |
| 31. | K5-D030-I0   | CROSS FEED SCREW ASSEMBLY (INCH)           | 1   |
|     | K5-D030-M0   | CROSS FEED SCREW ASSEMBLY (METRIC)         | 1   |
| 32. | K2-C046-70   | LOCK PLUNGER                               | 1   |
| 33. | L3-C139-B0   | TURCITE LINING                             | 1   |
| 34. | K2-C037-00   | LOCK BOLT                                  | 4   |
| 35. | L3-C039-00   | LOCK PLUNGER (TABLE 50")                   | 2   |
|     | L3-C039-40   | LOCK PLUNGER (TABLE 54")                   | 2   |
| 36. | K2-C041-00   | GIB ADJUSTING SCREW                        | 2   |
| 37. | L3-C043-00   | TABLE / SADDLE GIB (TABLE 50")             | 1   |
|     | K5-C043-00   | TABLE / SADDLE GIB (TABLE 54")             | 1   |
| 38. | L3-C050-01   | SADDLE WIPER PLATE                         | 2   |
| 39. | L3-C044-01   | FELT WIPERS                                | 2   |
| 40. | L3-C137-00   | TURCITE LINING (TABLE 50")                 | 1   |
|     | L3-C137-40   | TURCITE LINING (TABLE 54")                 | 1   |
| 41. | L3-C136-00   | TURCITE LINING (TABLE 50")                 | 1   |
|     | L3-C136-B0   | TURCITE LINING (TABLE 54")                 | 1   |
| 42. | L3-C052-00   | SADDLE (TABLE 50")                         | 1   |
|     | L3-C052-40   | SADDLE (TABLE 54")                         | 1   |
| 43. | L3-C138-B0   | TURCITE LINING                             | 1   |
| 44. | K2-C046-60   | LOCK PLUNGER                               | 1   |
| 45. | M8x12        | SOCKET CAP SCREW                           | 2   |
| 46. | K5-C042-00   | TABLE STOP BRACKET                         | 1   |