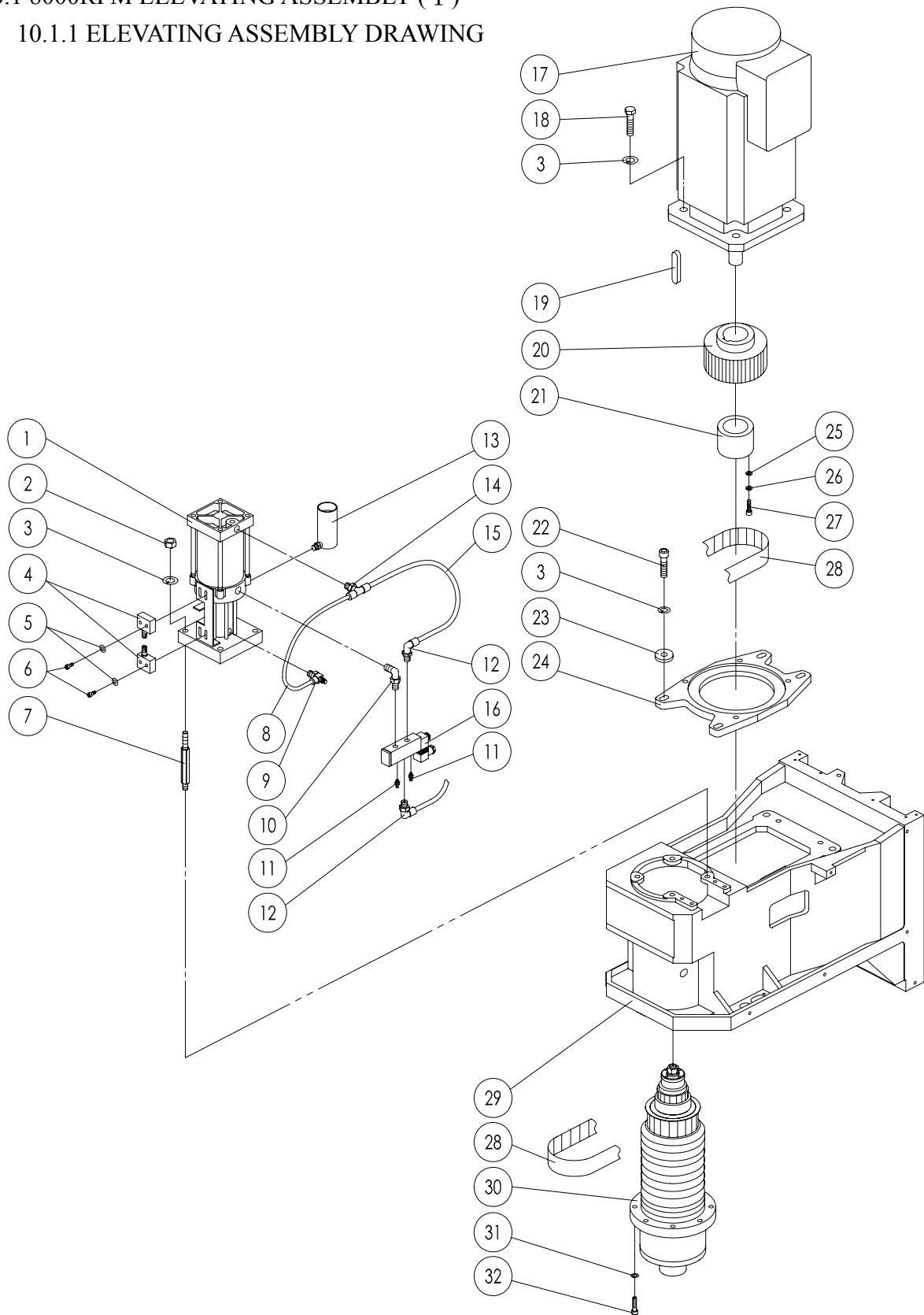


10. PART LISTS

10.1 8000RPM ELEVATING ASSEMBLY (I)

10.1.1 ELEVATING ASSEMBLY DRAWING

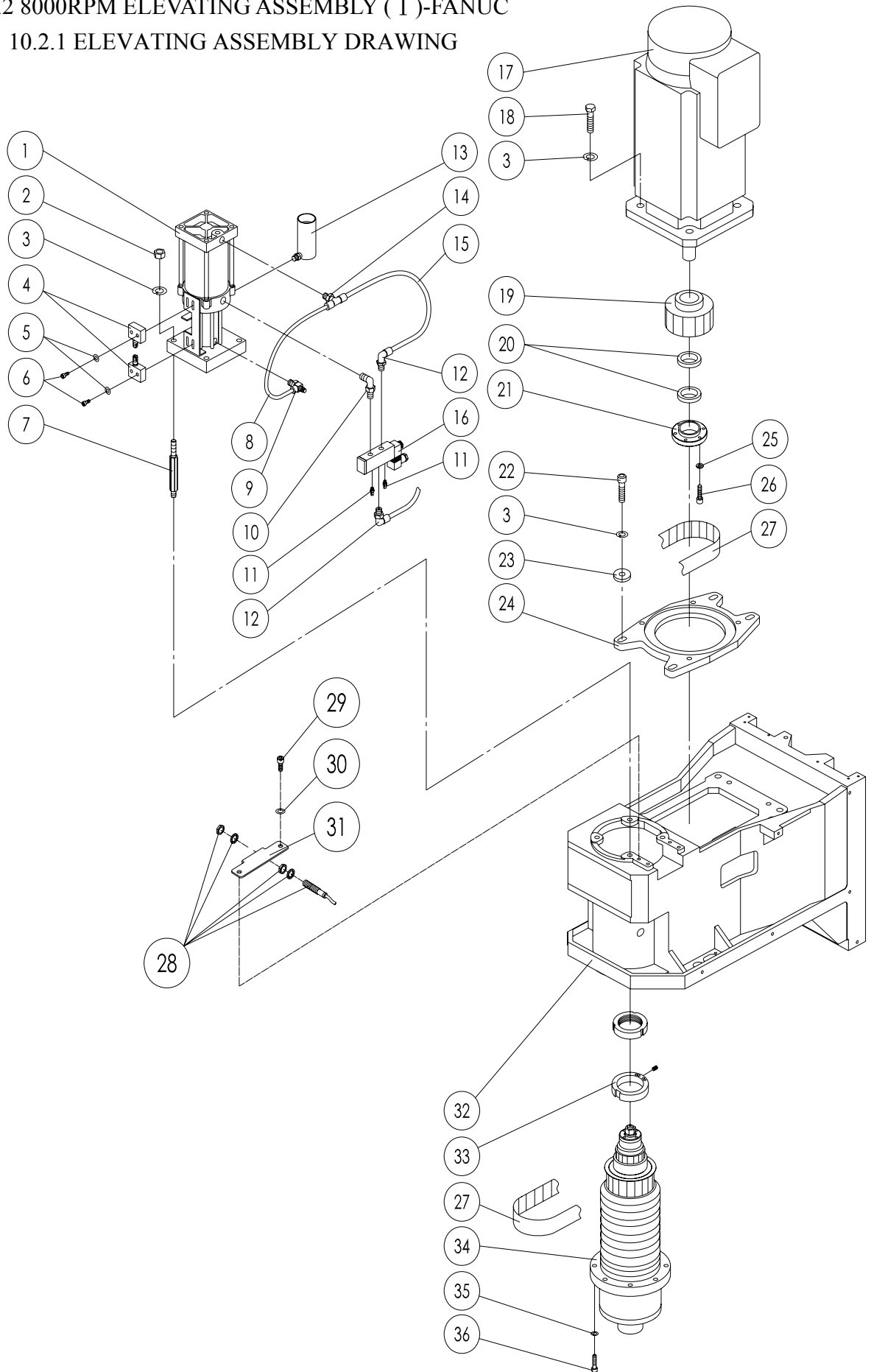


10.1.2 8000RPM ELEVATING ASSEMBLY PARTS LIST (I)

NO.	PART NO.	DESCRIPTION	QTY
1.	3.5TON×13	PNEUMATIC BOOSTING CYLINDER	1
2.	HN-M12	NUT	4
3.	WS-Ø12	SPRING WASHER	12
4.	TZ7311	LIMIT SWITCH	2
5.	WF-Ø4	FLAT WASHER	4
6.	SC-M4x30L	SOCKET CAP SCREW	4
7.	4M-H046-00	LOCK BOLT	4
8.	Ø10×40L	PU CONVEYING HOSES	1
9.	JSC1002-B	STUD FITTING	1
10.	PT1/4"×PT1/4"(P074)	90° BRASS ADAPTER	1
11.	SL-01	SLIEVCERS	2
12.	3109.10.13	SUTD FITTING (FULL ENCLOSURE)	2
12-1.	3109.10.13	SUTD FITTING (TABLE GUARD)	1
12-1.	3108.10.13	SUTD FITTING (TABLE GUARD)	1
13.	OIL CAP	OIL CAP	1
14.	3108.10.13	SUTD FITTING	1
15.	Ø10×30L	PU CONVEYING HOSES	1
16.	PHS502S-8	SOLENOID VALVES	1
17.	SJ-PF11(15HP)	SPINDLE MOTOR (MITSUBISHI)	1
18.	SH-M12×30L	HEX. HEAD SCREW	4
19.	KY-14×9×70L	KEY	1
20.	M4-H051-M0	8YU HTD GEAR	1
21.	M4-H008-M1	HTD GEAR CAP	1
22.	SC-M12x40L	SOCKET CAP SCREW	4
23.	Ø12×Ø35×6	FLAT WASHER	4
24.	M4-H049-F1	MOTOR BASE	1
25.	WF-Ø5	FLAT WASHER	3
26.	WS-Ø5	SPRING WASHER	3
27.	SC-M5x20L	SOCKET CAP SCREW	3
28.	8YU-936×40	SPINDLE HTD BELT	1
29.	4M-A002-01	ELEVATING CASTING	1
30.	BT-#40	SPINDLE (SPINTECH)	1
31.	WS-Ø10	SPRING WASHER	8
32.	SC-M10x35L	SOCKET CAP SCREW	8

10.2 8000RPM ELEVATING ASSEMBLY (I)-FANUC

10.2.1 ELEVATING ASSEMBLY DRAWING

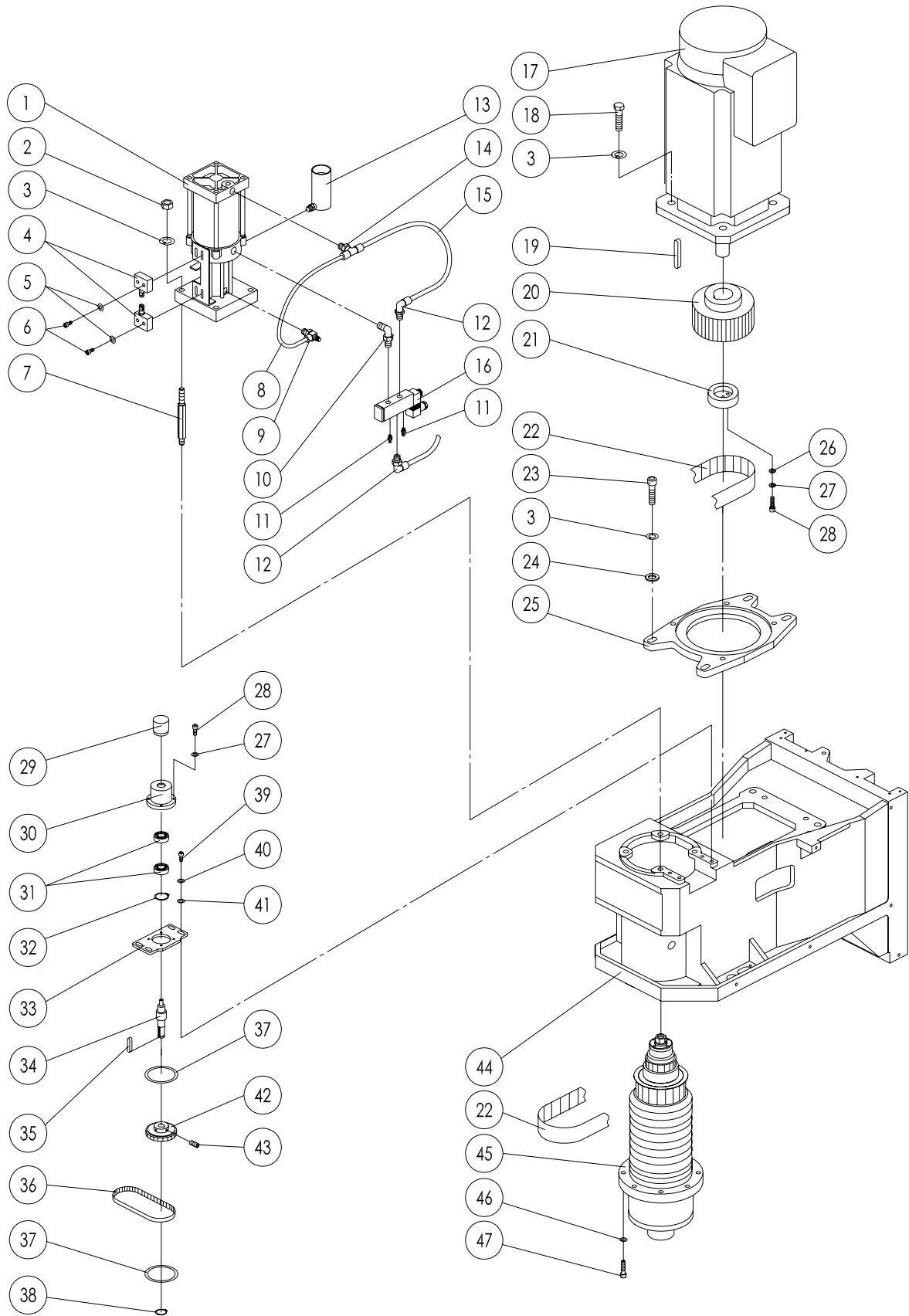


10.2.2 8000RPM ELEVATING ASSEMBLY PARTS LIST(I)-FANUC

NO.	PART NO.	DESCRIPTION	QTY
1.	3.5TON×13	PNEUMATIC BOOSTING CYLINDER	1
2.	HN-M12	NUT	4
3.	WS-Ø12	SPRING WASHER	12
4.	TZ7311	LIMIT SWITCH	2
5.	WF-Ø4	FLAT WASHER	4
6.	SC-M4×30L	SOCKET CAP SCREW	4
7.	M5-H046-00	LOCK BOLT	4
8.	Ø10×40L	PU CONVEYING HOSES	1
9.	JSC1002-B	STUD FITTING	1
10.	PT1/4"×PT1/4"(P074)	90° BRASS ADAPTER	1
11.	SL-01	SLIEVCERS	2
12.	3109.10.13	SUTD FITTING (FULL ENCLOSURE)	2
12-1.	3109.10.13	SUTD FITTING (TABLE GUARD)	1
12-1.	3108.10.13	SUTD FITTING (TABLE GUARD)	1
13.	OIL CAP	OIL CAP	1
14.	3108.10.13	SUTD FITTING	1
15.	Ø10×30L	PU CONVEYING HOSES	1
16.	PHS502S-8	SOLENOID VALVES	1
17.	α8/8000i-7.5/11KW	SPINDLE MOTOR (FANUC)	1
18.	SH-M12×30L	HEX. HEAD SCREW	4
19.	M4-H051-M0	8YU HTD GEAR	1
20.	Ø48×Ø55×10	LOCK RING	2
21.	4M-H008-M0	LOCK BLOCK	1
22.	SC-M12×40L	SOCKET CAP SCREW	4
23.	Ø12×Ø35×6	FLAT WASHER	4
24.	M4-H049-F1	MOTOR BASE	1
25.	WS-Ø6	SPRING WASHER	6
26.	SC-M6×20L	SOCKET CAP SCREW	6
27.	8YU-936×40	SPINDLE HTD BELT	1
28.	SENIOR	SENIOR	1
29.	SC-M8×16L	SOCKET CAP SCREW	2
30.	WS-Ø8	SPRING WASHER	2
31.	V5-H057-A1	SENSOR'S BRACKET	1
32.	4M-A002-01	ELEVATING CASTING	1
33.	3M-H054-A0	SENSOR'S ORIENTATION RING	1
34.	BT-#40	SPINDLE (SPINTECH)	1
35.	WS-Ø10	SPRING WASHER	8
36.	SC-M10×35L	SOCKET CAP SCREW	8

10.3 8000RPM ELEVATING ASSEMBLY (I)-ATRUMP

10.3.1 ELEVATING ASSEMBLY DRAWING

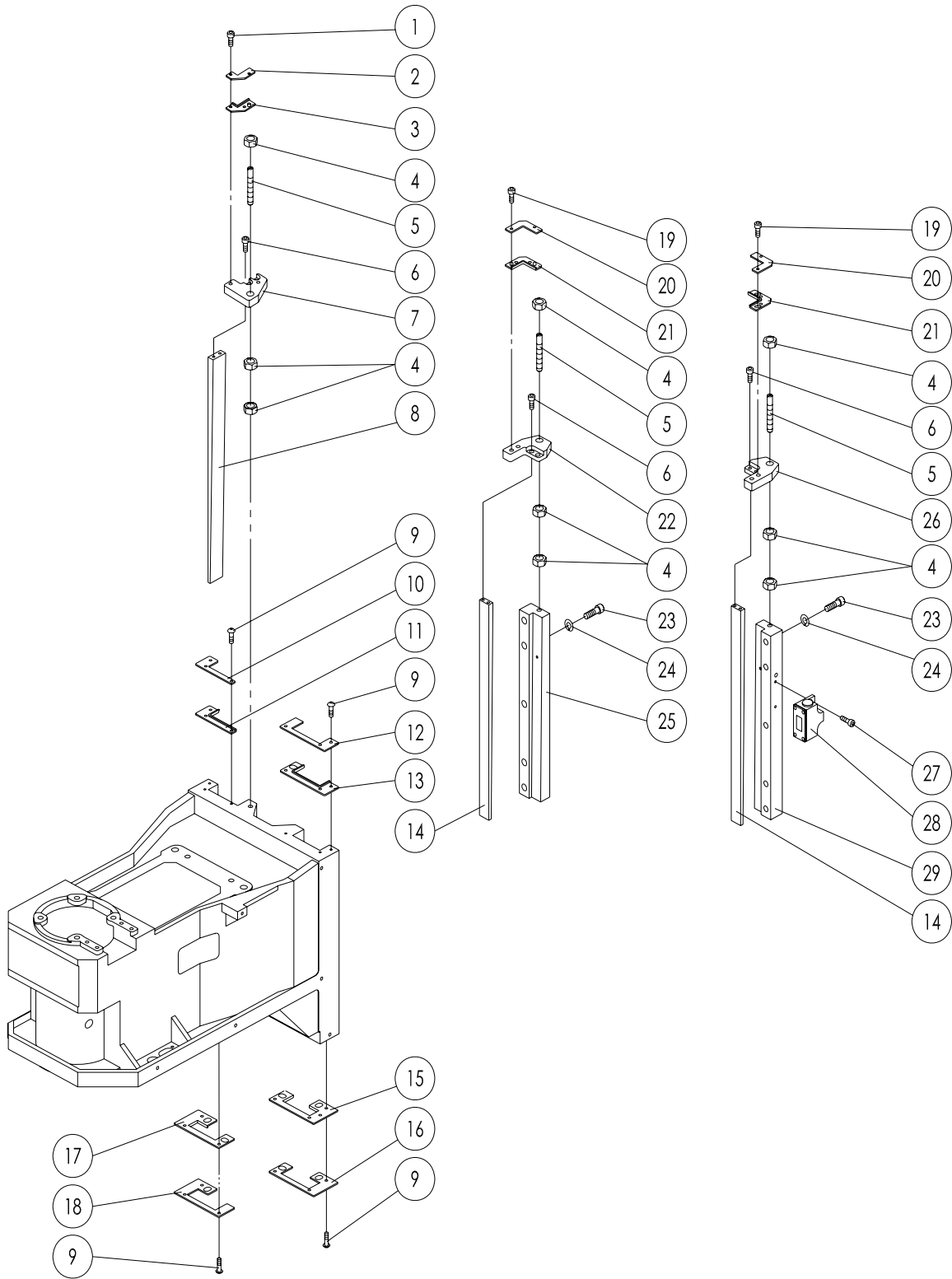


10.3.2 8000RPM ELEVATING ASSEMBLY PARTS LIST(I)-ATRUMP

NO.	PART NO.	DESCRIPTION	QTY
1.	3.5TON×13	PNEUMATIC BOOSTING CYLINDER	1
2.	HN-M12	NUT	4
3.	WS-Ø12	SPRING WASHER	12
4.	TZ7311	LIMIT SWITCH	2
5.	WF-Ø4	FLAT WASHER	4
6.	SC-M4×30L	SOCKET CAP SCREW	4
7.	M5-H046-00	LOCK BOLT	4
8.	Ø10×40L	PU CONVEYING HOSES	1
9.	JSC1002-B	STUD FITTING	1
10.	PT1/4"×PT1/4"(P074)	90° BRASS ADAPTER	1
11.	SL-01	SLIEVCERS	2
12.	3109.10.13	SUTD FITTING (FULL ENCLOSURE)	2
12-1.	3109.10.13	SUTD FITTING (TABLE GUARD)	1
12-1.	3108.10.13	SUTD FITTING (TABLE GUARD)	1
13.	OIL CAP	OIL CAP	1
14.	3108.10.13	SUTD FITTING	1
15.	Ø10×30L	PU CONVEYING HOSES	1
16.	PHS502S-8	SOLENOID VALVES	1
17.	15HP	SPINDLE MOTOR (CHERHG CHANG)	1
18.	SH-M12×30L	HEX. HEAD SCREW	4
19.	KY-10×8×65L	KEY	1
20.	M4-H051-00	8YU HTD GEAR	1
21.	M4-H008-00	HTD GEAR CAP	1
22.	8YU-936×40	SPINDLE HTD BELT	1
23.	SC-M12×40L	SOCKET CAP SCREW	4
24.	Ø12×Ø35×6	FLAT WASHER	4
25.	M4-H049-F1	MOTOR BASE	1
26.	WF-Ø5	FLAT WASHER	2
27.	WS-Ø5	SPRING WASHER	6
28.	SC-M5×20L	SOCKET CAP SCREW	6
29.	LHE-408-1024	ENCODER	1
30.	V7-H056-00	BEARING BRACKET	1
31.	6003LLB	BEARING	2
32.	SR-35	SNAP RING (FOR HOLD)	1
33.	V7-H057-00	ENCODER BRACKET	1
34.	B8-H058-00	ENCODER SHAFT	1
35.	KY-5×5×25L	KEY	1
36.	5GT-450×10	ENCODER PULLEYENCODER PULLEY	1
37.	V7-H062-00	SIDE RING	2
38.	SE-15	SNAP RING (FOR SHAFT)	1
39.	SC-M8×16L	SOCKET CAP SCREW	4
40.	WS-Ø8	SPRING WASHER	4
41.	WF-Ø8	FLAT WASHER	4
42.	V7-H061-00	ENCODER PULLEY	1
43.	SS-M5×6L	SOCKET SET SCREW	2
44.	4M-A002-01	ELEVATING CASTING	1
45.	BT-#40	SPINDLE (SPINTECH)	1
46.	WS-Ø10	SPRING WASHER	8
47.	SC-M10×35L	SOCKET CAP SCREW	8

10.4 ELEVATING ASSEMBLY (II)

10.4.1 ELEVATING ASSEMBLY DRAWING

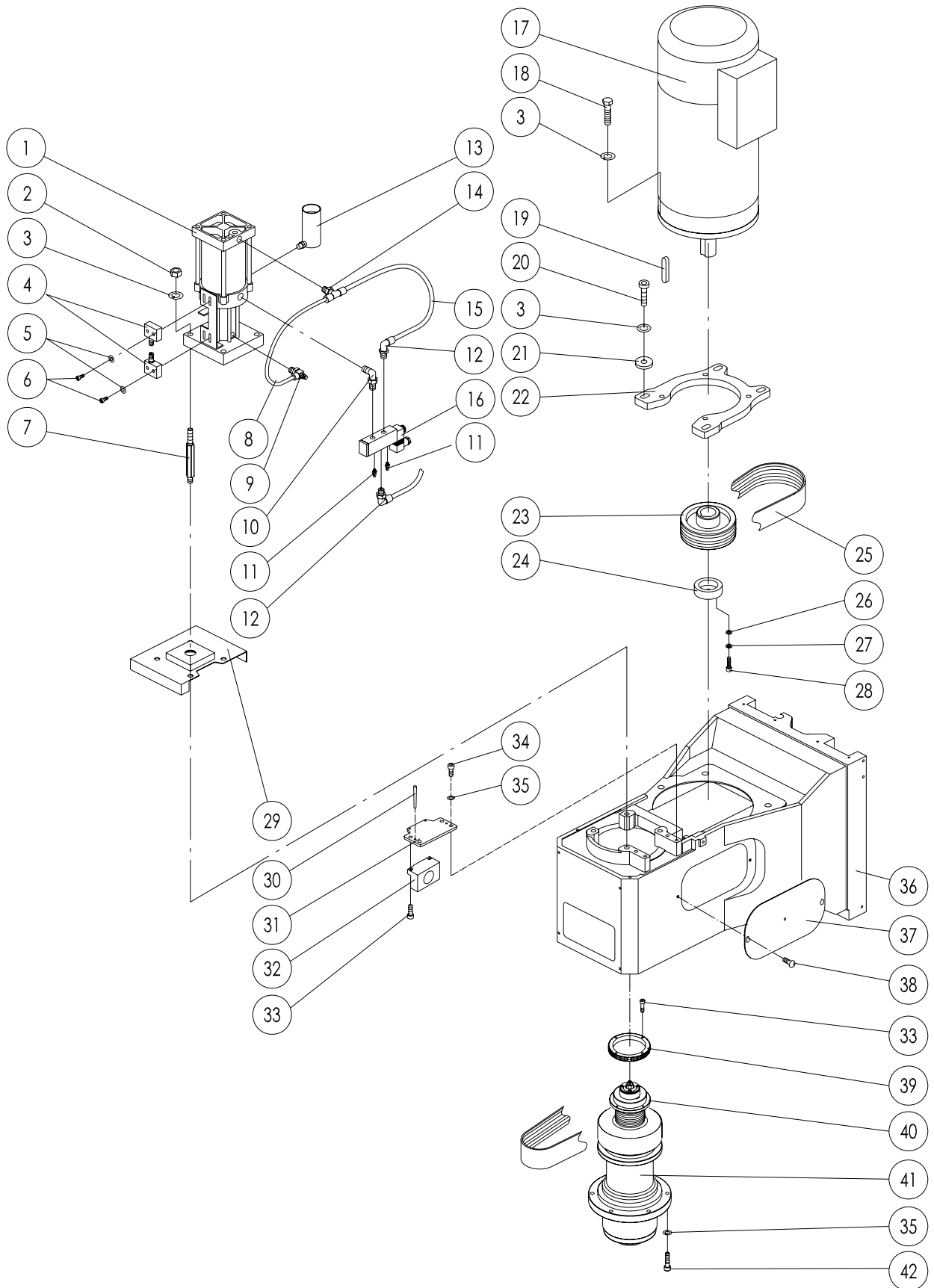


10.4.2 ELEVATING ASSEMBLY PART LIST (II)

NO.	PART NO.	DESCRIPTION	QTY
1.	SC-M5×12L	SOCKET CAP SCREW	2
2.	4M-Z079-00	WIPER HOLDER	1
3.	4M-Z078-00	WIPER	1
4.	HN-M10	NUT	9
5.	B6-X046-00	GIB SCREW	3
6.	SC-M6×16L	SOCKET CAP SCREW	6
7.	4M-Z077-01	GIB ADJUSTING PLATE	1
8.	V5-Z022-00	ELEVATING CASTING GIB	1
9.	SB-M5×12L	HEX SOCKET BUTTON HEAD SCREW	12
10.	M4-Z013-01	WIPER HOLDER	1
11.	M4-Z015-01	WIPER	1
12.	V6-Z007-R2	WIPER HOLDER	1
13.	V6-Z014-R1	WIPER	1
14.	V6-Z024-00	GIB	2
15.	V6-Z015-R1	WIPER	1
16.	V6-Z013-R1	WIPER HOLDER	1
17.	V6-Z015-L1	WIPER	1
18.	V6-Z013-L1	WIPER HOLDER	1
19.	SC-M6×12L	SOCKET CAP SCREW	4
20.	A6-XB64-K0	WIPER HOLDER	2
21.	A6-X070-00	WIPER	2
22.	M4-Z047-L0	GIB ADJUSTING PLATE	1
23.	SC-M12×40L	SOCKET CAP SCREW	10
24.	WS-Ø12	SPRING WASHER	10
25.	V6-Z010-00	SLICING LEFT	1
26.	M4-Z047-R0	GIB ADJUSTING PLATE	1
27.	SC-M5×20L	SOCKET CAP SCREW	2
28.	SN02D12-502C1688	LIMIT SWITCH	1
29.	V6-Z011-00	SLICING RIGHT	1

10.5 15000RPM ELEVATING ASSEMBLY (I)

10.5.1 ELEVATING ASSEMBLY DRAWING

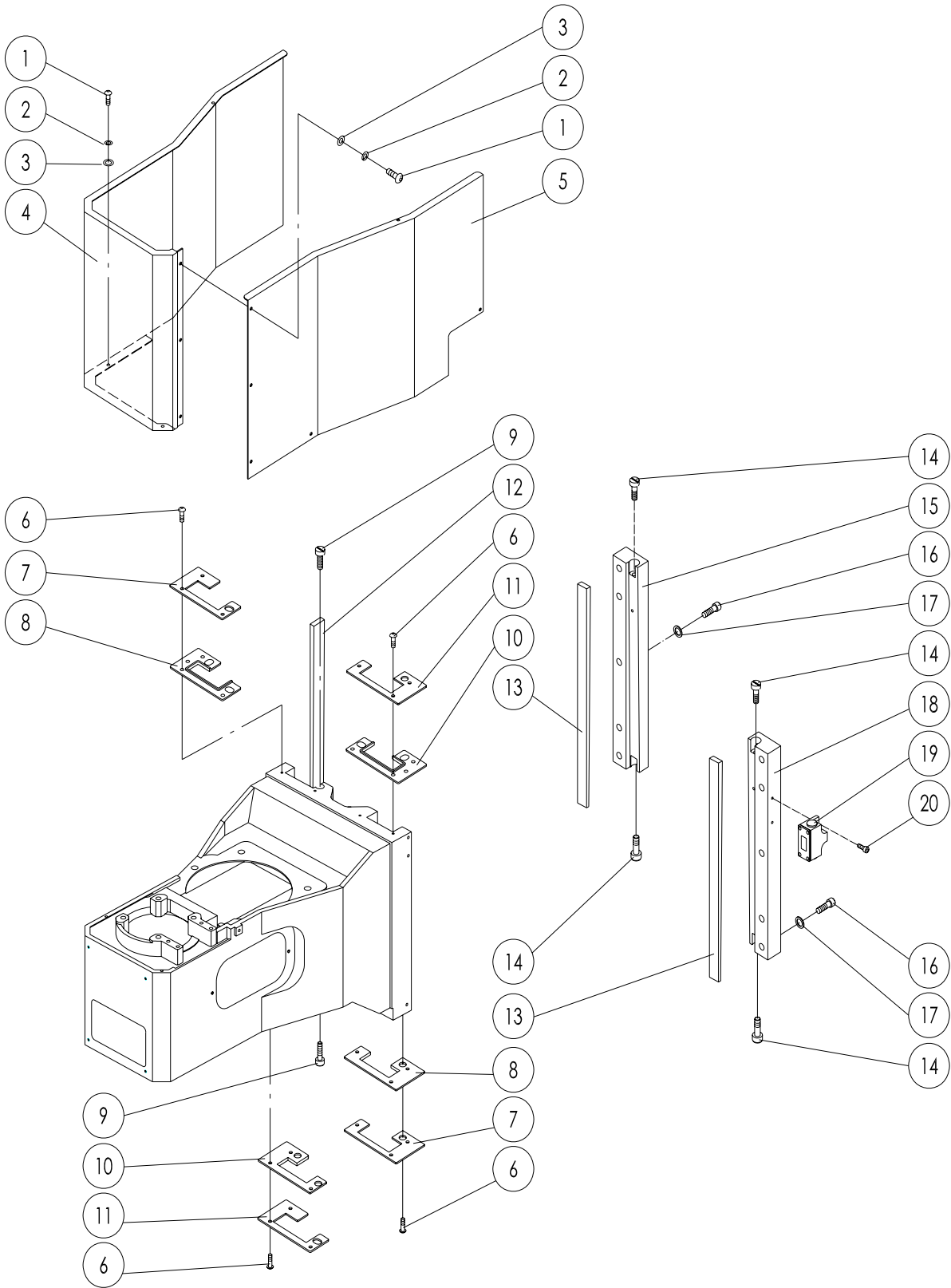


10.5.2 15000RPM ELEVATING ASSEMBLY PART LIST (I)

NO.	PART NO.	DESCRIPTION	QTY
1.	3.5TON×13	PNEUMATIC BOOSTING CYLINDER	1
2.	HN-M12	NUT	4
3.	WS-Ø12	SPRING WASHER	12
4.	TZ7311	LIMIT SWITCH	2
5.	WF-Ø4	FLAT WASHER	4
6.	SC-M4x30L	SOCKET CAP SCREW	4
7.	M5-H046-00	LOCK BOLT	4
8.	Ø10×40L	PU CONVEYING HOSES	1
9.	JSC1002-B	STUD FITTING	1
10.	PT1/4"×PT1/4"(P074)	90° BRASS ADAPTER	1
11.	SL-01	SLIEVCERS	2
12.	3109.10.13	SUTD FITTING	2
13.	OIL CAP	OIL CAP	1
14.	3108.10.13	SUTD FITTING	1
15.	Ø10×30L	PU CONVEYING HOSES	1
16.	PHS502S-8	SOLENOID VALVES	1
17.	15HP	SPINDLE MOTOR (CHERHG CHANG)	1
18.	SH-M12×30L	HEX. HEAD SCREW	4
19.	KY-10×8×65L	KEY	1
20.	SC-M12x40L	SOCKET CAP SCREW	4
21.	Ø12×Ø35×6	BEARING	4
22.	2M-H049-00	MOTOR BASE	1
23.	4E-H051-H0	SPINDLE MOTOR HTD GEAR	1
24.	M4-H008-00	HTD GEAR CAP	1
25.	PJ-35"×16T	SPINDLE MOTOR BELT	1
26.	WF-Ø5	FLAT WASHER	2
27.	WS-Ø5	SPRING WASHER	2
28.	SC-M5x20L	SOCKET CAP SCREW	2
29.	4E-A040-00	AGAINST COOM COVER	1
30.	TP-#4×38L	TAPER PIN	2
31.	4E-H057-00	ENCODER BRACKET	1
32.	MSK-015-1024-11	ENCODER	1
33.	SC-M4×20L	SOCKET CAP SCREW	6
34.	SC-M8×16L	SOCKET CAP SCREW	4
35.	WS-Ø8	SPRING WASHER	10
36.	4E-A002-H0	ELEVATING CASTING	1
37.	4E-A030-01	HEAD COVER	1
38.	SB-M6×10L	HEX SOCKET BUTTON HEAD SCREW	2
39.	INDUCTION GEAR	INDUCTION GEAR	1
40.	4E-K054-H0	SPINDLE HTD GEAR	1
41.	BT-#40	SPINDLE (SPINTECH)	1
42.	SC-M8x35L	SOCKET CAP SCREW	6

10.6 15000RPM ELEVATING ASSEMBLY (II)

10.6.1 ELEVATING ASSEMBLY DRAWING

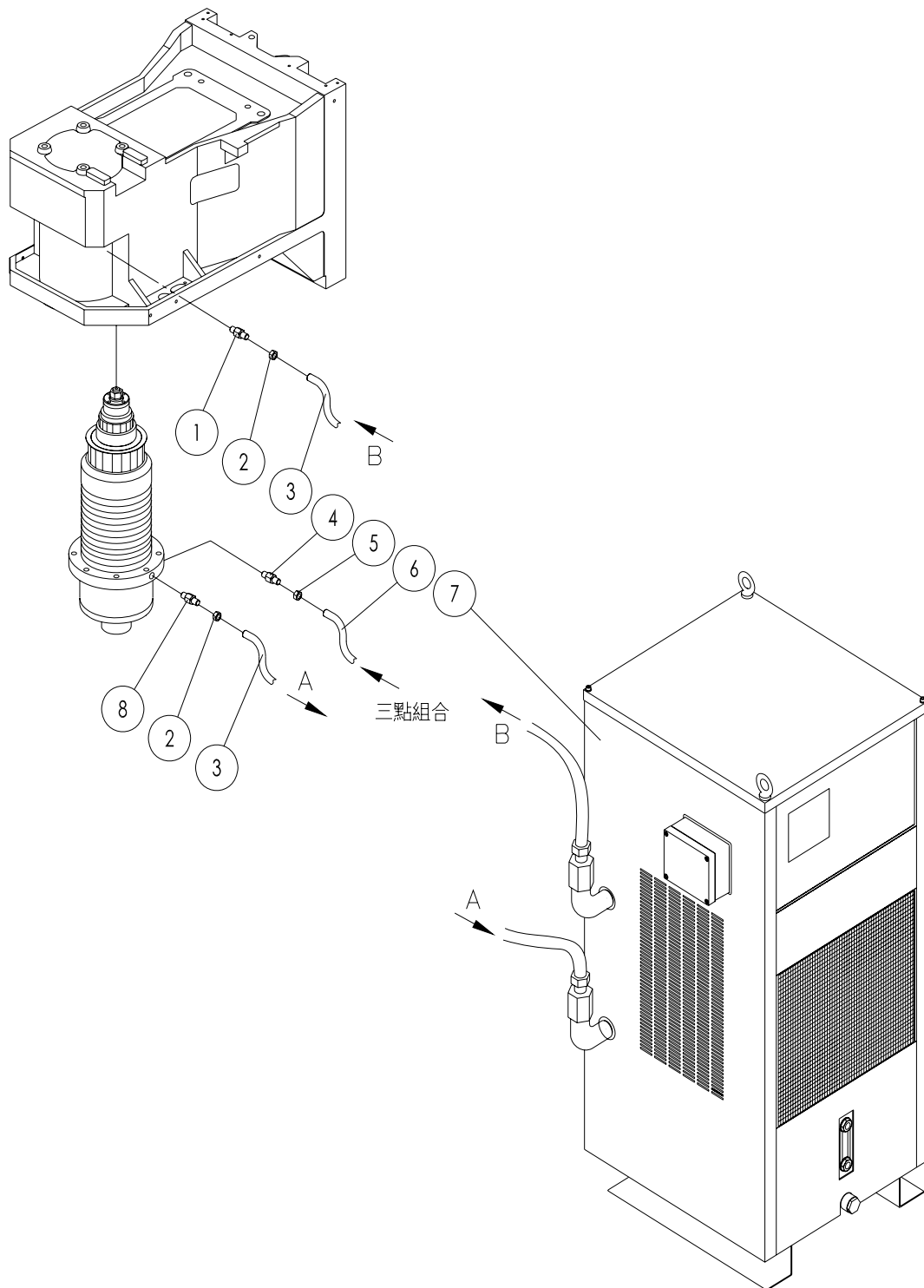


10.6.2 15000RPM ELEVATING ASSEMBLY PART LIST (II)

NO.	PART NO.	DESCRIPTION	QTY
1.	SB-M6×12L	HEX SOCKET BUTTON HEAD SCREW	7
2.	WS-Ø6	SPRING WASHER	7
3.	WF-Ø6	FLAT WASHER	7
4.	4E-A030-01	HEAD COVER	1
5.	4E-A031-01	RIGHT HEAD COVER FLANK	1
6.	SB-M6×12L	HEX SOCKET BUTTON HEAD SCREW	12
7.	V6-Z015-R1	WIPER	2
8.	V6-Z013-R1	WIPER HOLDER	2
9.	K2-C041-A0	GIB SCREW	2
10.	V6-Z015-L1	WIPER	2
11.	V6-Z013-L1	WIPER HOLDER	2
12.	V5-Z022-00	ELEVATING CASTING GIB	1
13.	B6-Z022-00	ELEVATING CASTING GIB	2
14.	K2-C041-00	GIB SCREW	4
15.	V5-Z010-00	SLICING LEFT	1
16.	SC-M12×40L	SOCKET CAP SCREW	10
17.	WS-Ø12	SPRING WASHER	10
18.	V5-Z011-00	SLICING RIGHT	1
19.	SN02D12-502C1688	LIMIT SWITCH	1
20.	SC-M5×20L	SOCKET CAP SCREW	2

10.7 OLD COOLER ASSEMBLY

10.7.1 OLD COOLER ASSEMBLY DRAWING

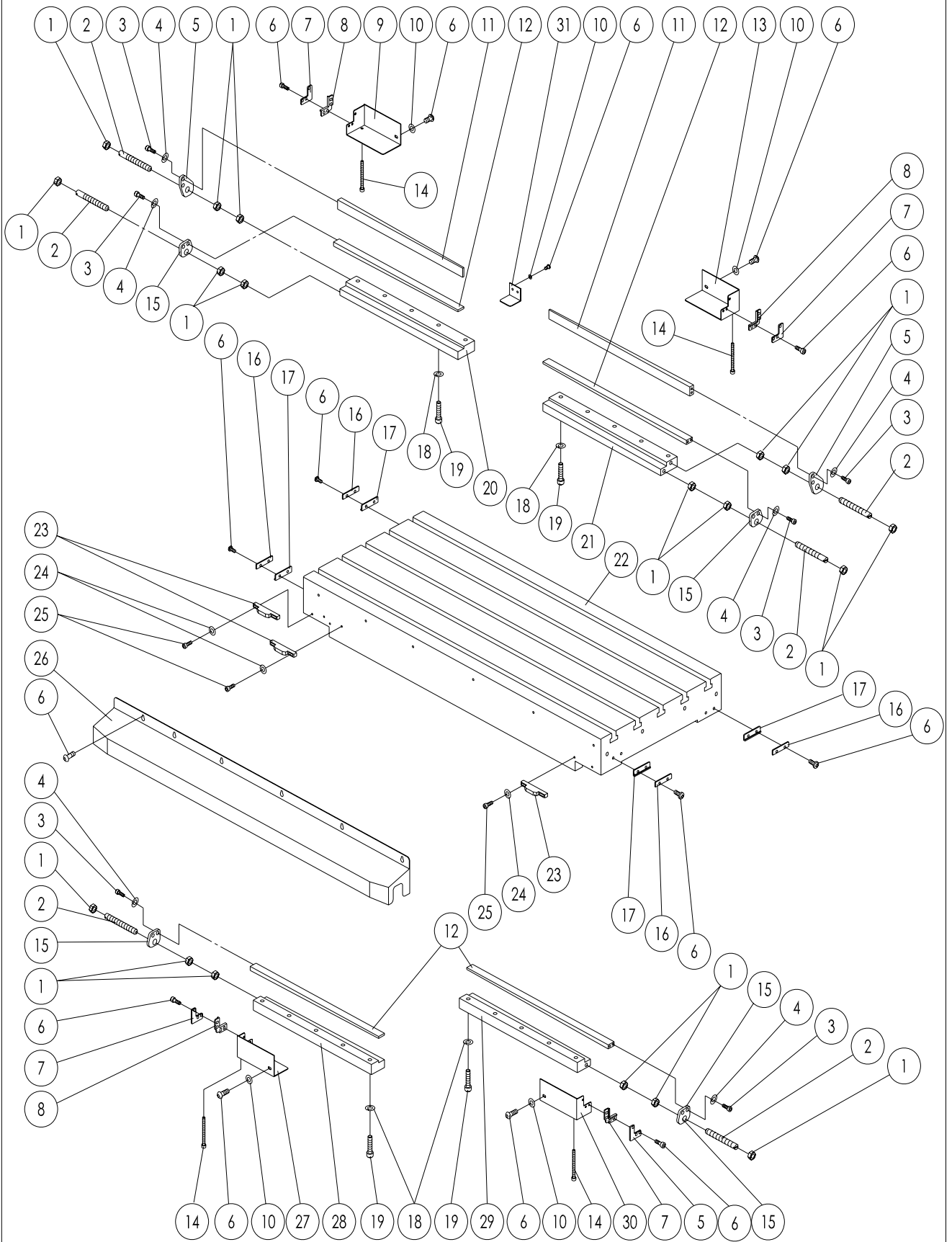


10.7.2 OLD COOLER ASSEMBLY PART LIST

NO.	PART NO.	DESCRIPTION	QTY
1.	PT3/8"× Ø10	BRASS ADAPTER	1
2.	Ø10	BRASS SLEEVE	2
3.	Ø10×2800L	PU STAINLESS STEEL CONVEYING HOSES	2
4.	PT1/8"× Ø8	BRASS ADAPTER	1
5.	Ø8	BRASS SLEEVE	1
6.	Ø8×3.6m	PU CONVEYING HOSES	1
7.	K0-4PTS	OIL COOLER	1
8.	PT1/4" × Ø10	BRASS ADAPTER	1

10.8 TABLE ASSEMBLY

10.8.1 TABLE ASSEMBLY DRAWING

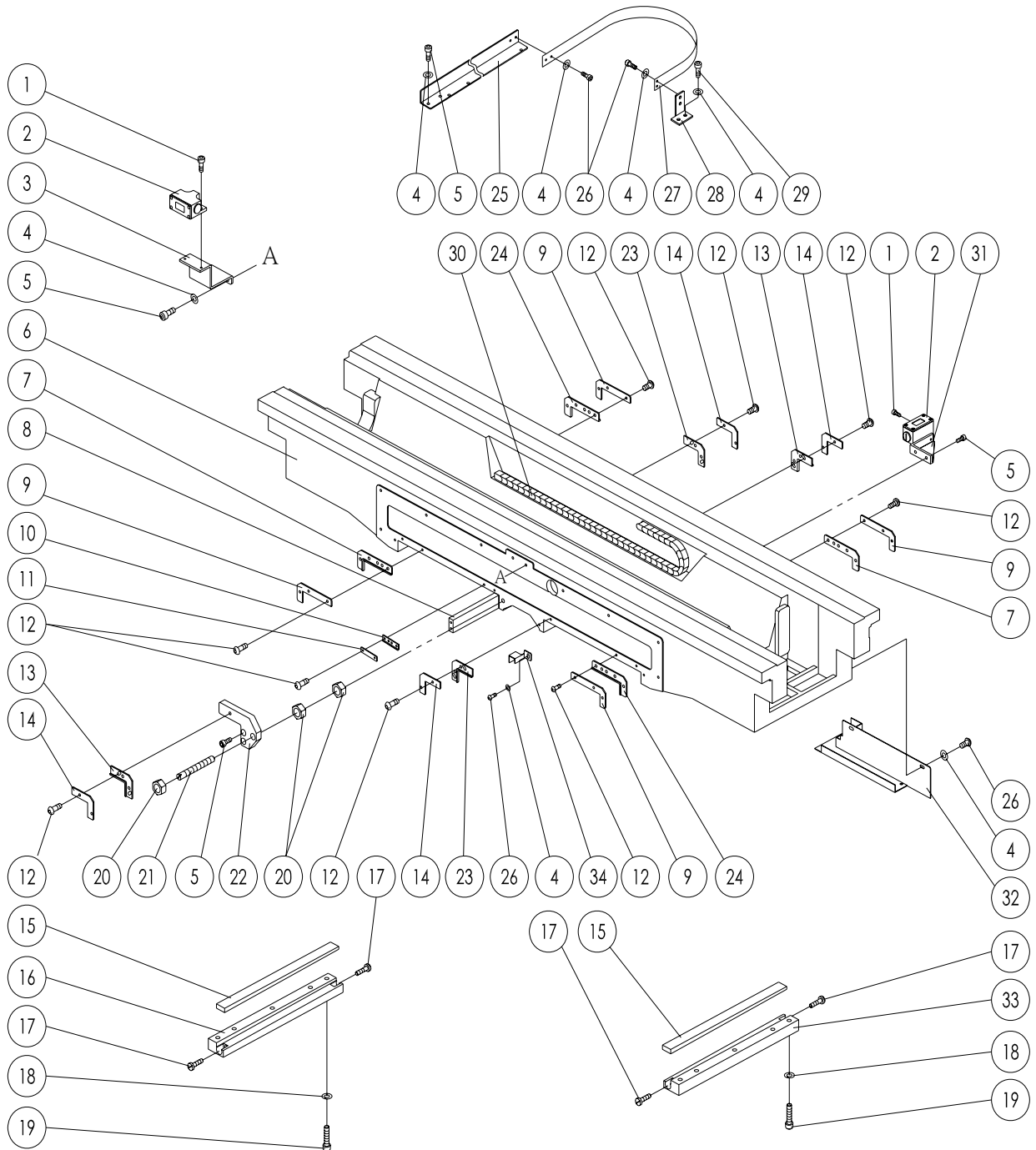


10.8.2 TABLE ASSEMBLY PART LIST

NO.	PART NO.	DESCRIPTION	QTY
1.	HN-M10	NUT	18
2.	B6-X046-00	GIB SCREW	6
3.	SC-M6×16L	SOCKET CAP SCREW	12
4.	WS-Ø6	SPRING WASHER	12
5.	V5-XB47-00	RIGHT GIB ADJUSTING PLATE	2
6.	SB-M6×10L	HEX SOCKET BUTTON HEAD SCREW	26
7.	A6-XB64-K0	WIPER HOLDER	4
8.	A6-X070-00	WIPER	4
9.	M4-X059-L0	LEFT WIPER COVER	1
10.	WF-Ø6	FLAT WASHER	6
11.	A6-XB48-00	WORK TABLE GIB	2
12.	K5-C055-00	FORKLIFT GIB	4
13.	M4-X059-R0	RIGHT WIPER COVER	1
14.	M6×75L	SCREW	4
15.	V5-XB77-00	GIB ADJUSTING PLATE (LEFT)	4
16.	A6-X068-00	WIPER HOLDER	4
17.	A6-X069-00	WIPER	4
18.	WS-Ø10	SPRING WASHER	20
19.	SC-M10×40L	SOCKET CAP SCREW	20
20.	M4-XB67-L0	SLICING RAIL (LEFT)	1
21.	M4-XB67-R0	SLICING RAIL (RIGHT)	1
22.	4M-X001-04	WORK TABLE	1
23.	M4-X016-00	DOG	3
24.	WF-Ø5	FLAT WASHER	6
25.	SC-M5×20L	SOCKET CAP SCREW	6
26.	4M-X020-01	LIMIT SWITCH COVER	1
27.	M4-X058-L0	WIPER COVER (LEFT)	1
28.	M4-XB66-L0	SLICING RAIL (LEFT)	1
29.	M4-XB66-R0	SLICING RAIL (RIGHT)	1
30.	M4-X058-R0	WIPER COVER (RIGHT)	1
31.	A6-X080-00	WORK TABLE COVER	1

10.9 SADDLE ASSEMBLY

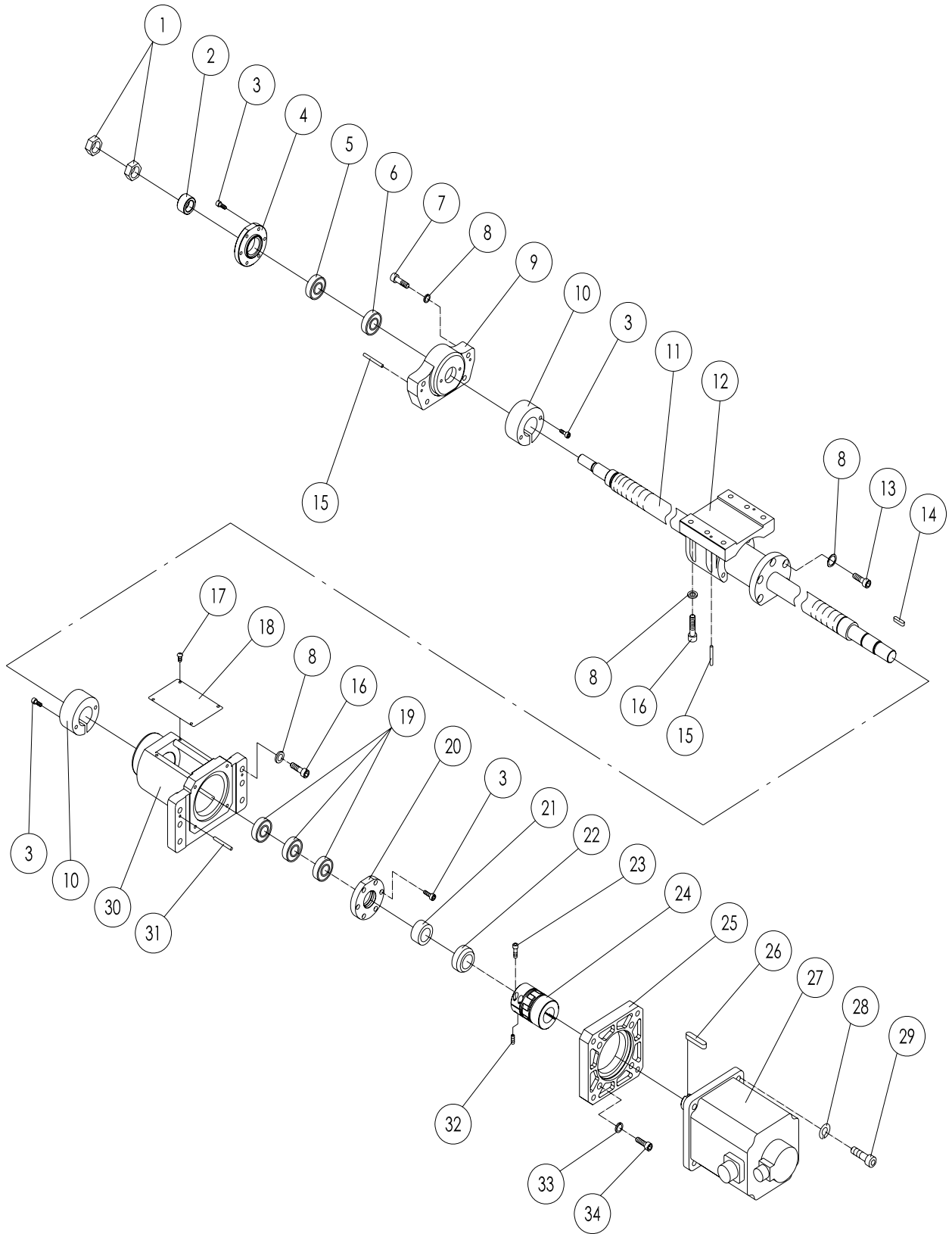
10.9.1 SADDLE ASSEMBLY DRAWING



10.9.2 SADDLE ASSEMBLY PART LIST

NO.	PART NO.	DESCRIPTION	QTY
1.	SC-M5x16L	SOCKET CAP SCREW	4
2.	SND2D12-502C1688	LIMIT SWITCH	2
3.	M4-X015-01	LIMITS WITCH BASE	1
4.	WF-Ø6	FLAT WASHER	13
5.	SC-M6x16L	SOCKET CAP SCREW	8
6.	4M-X002-03	SADDLE	1
7.	B7-Y050-L1	WIPER	2
8.	M4-Y070-00	GIB	1
9.	B7-Y051-02	WIPER HOLDER	4
10.	A6-X069-00	WIPER	1
11.	A6-X068-00	WIPER HOLDER	1
12.	M5×12L	SCREW	22
13.	M4-Y053-00	WIPER	2
14.	M4-Y055-00	WIPER HOLDER	4
15.	B6-Z024-00	SLICING RAIL (GIB)	2
16.	4M-C115-00	SADDLE SLICING RAIL (LEFT)	1
17.	K2-C041-00	GIB SCREW	4
18.	WS-Ø10	SPRING WASHER	10
19.	SC-M10×40L	SOCKET CAP SCREW	10
20.	HN-M10	NUT	3
21.	B6-X046-00	GIB SCREW	1
22.	M4-Y077-00	GIB ADJUSTING PLATE	1
23.	M4-Y052-00	WIPER	2
24.	B7-Y050-R1	WIPER	2
25.	V6-Y086-00	PIPE SUPPORTER	1
26.	SB-M6×8L	HEX SOCKET BUTTON HEAD SCREW	7
27.	V6-Y088-00	COMPRESS SPRING	1
28.	M4-Y087-00	COMPRESS SPRING BRACKET	1
29.	SB-M6×12L	HEX SOCKET BUTTON HEAD SCREW	2
30.	55目	OIL TUBING FLEXIBLE CARRIER	1
31.	M4-Y075-00	Y AXIS LIMITS WITCH BASE	1
32.	4M-X045-00	TUBE COVER	1
33.	4M-C116-00	SADDLE SLICING RAIL (RIGHT)	1
34.	M4-X075-00	BRACKET SUPPORTER BASE	1

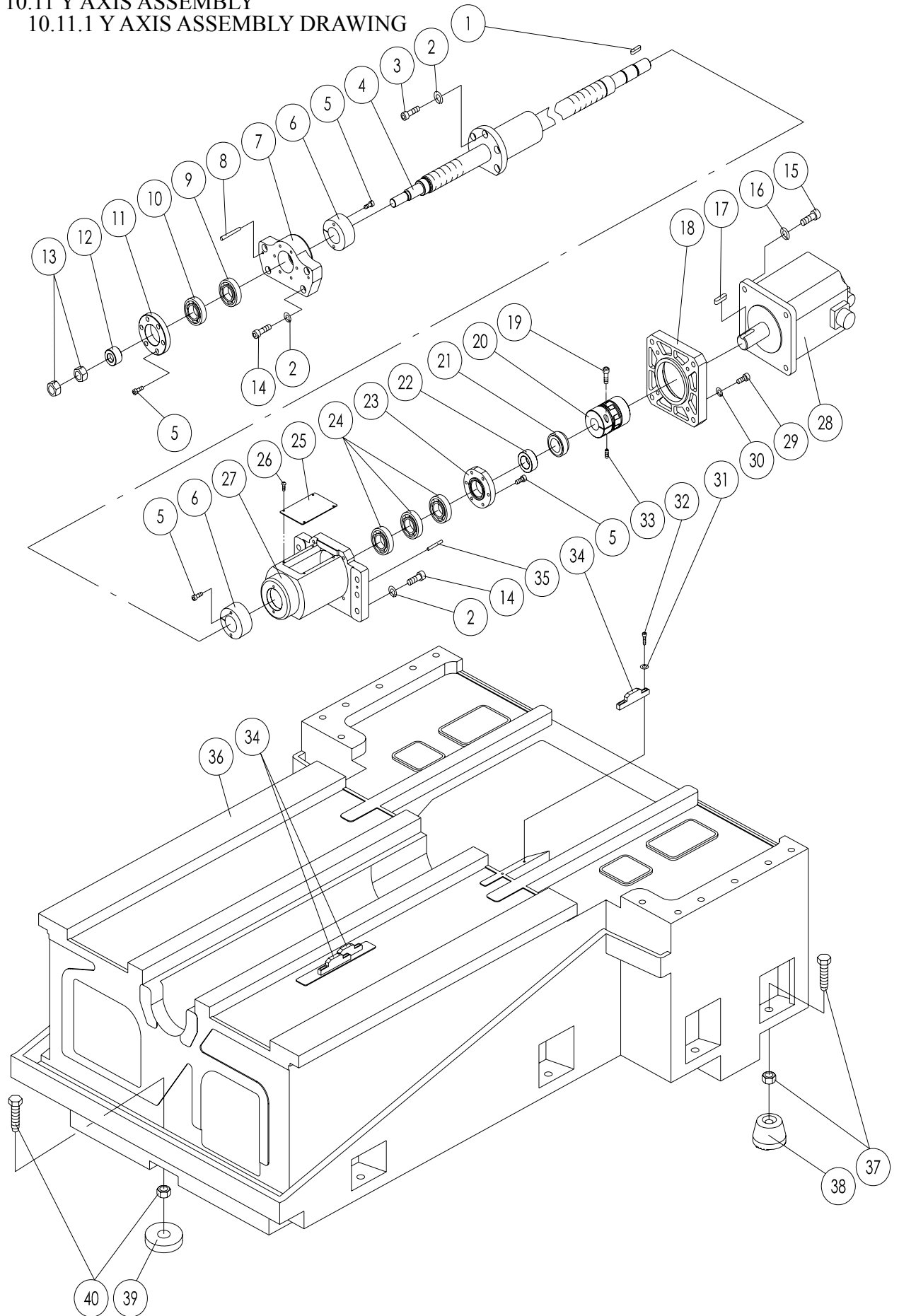
10.10 X AXIS ASSEMBLY
10.10.1 X AXIS ASSEMBLY DRAWING



10.10.2 X AXIS ASSEMBLY PART LIST

NO.	PART NO.	DESCRIPTION	QTY
1.	B8-Y035-00	M20 NUT	2
2.	V7-YA09-00	BEARING SPACER	1
3.	SC-M6×20L	SOCKET CAP SCREW	12
4.	4M-XA09-01	BEARING CAP	1
5.	30205	BEARING	1
6.	6205ZZ	BEARING	1
7.	SC-M10×35L	SOCKET CAP SCREW	4
8.	WS-Ø10	SPRING WASHER	21
9.	4M-XA05-01	BEARING BRACKET	1
10.	M5-X085-L1	PROTECTION BLOCK	2
11.	4M-X017-M1	X AXIS BALL SCREW	1
12.	5E-X003-01	FEED NUT BRACKET	1
13.	SC-M10×30L	SOCKET CAP SCREW	5
14.	KY-8×7×25L	KEY	1
15.	TP-#4×45L	TAPER PIN	4
16.	SC-M10×40L	SOCKET CAP SCREW	12
17.	SB-M4×8L	HEX SOCKET BUTTON HEAD SCREW	4
18.	3M-X007-00	MOTOR COVER	1
19.	3062	BEARING	3
20.	4M-X009-01	BEARING CAP	1
21.	4M-X026-00	BEARING SPACER	1
22.	4M-Y035-00	LOCK NUT	1
23.	SC-M6×25L	SOCKET CAP SCREW	4
24.	4M-X054-F0	COUPLING (FANUC 1.8~4KW)	1
24-1.	4M-X054-P1	COUPLING (MITSUBISHI 2~3.5KW、MITSUBISHI FOR M2000 2~3.5KW)	1
25.	4M-X025-01	MOTOR BASE	1
26.	KY-10×8×50L	KEY (HA100N、CBJS、HC-SFS202)	1
27.	α12/3000i-3KW	SERVO MOTOR (FANUC)	1
27-1.	αc12/2000i-1.8KW	SERVO MOTOR (FANUC)	1
27-2.	HA100N(B)S-2KW	SERVO MOTOR (MITSUBISHI)	1
27-3.	HC-SFS202-2KW	SERVO MOTOR (MITSUBISHI FOR M2000)	1
28.	WS-Ø12	SPRING WASHER	4
29.	SC-M12×40L	SOCKET CAP SCREW	4
30.	4M-X005-01	BEARING BRACKET	1
31.	TP-#4x38L	TAPER PIN	2
32.	SS-M6×16L	SOCKET SET SCREW	2
33.	WS-Ø8	SPRING WASHER	4
34.	SC-M8×30L	SOCKET CAP SCREW	4

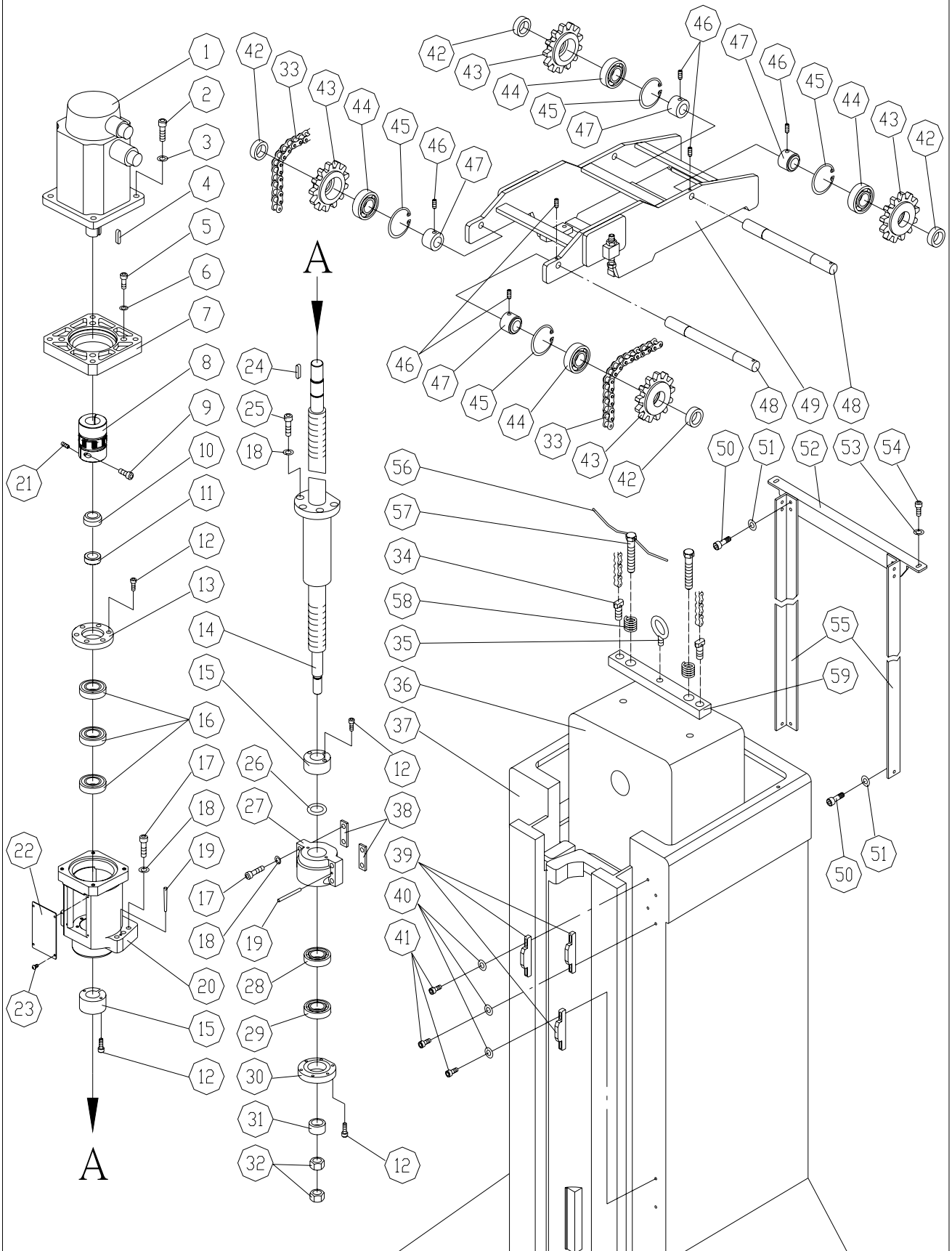
10.11 Y AXIS ASSEMBLY
10.11.1 Y AXIS ASSEMBLY DRAWING



10.11.2 Y AXIS ASSEMBLY PART LIST

NO.	PART NO.	DESCRIPTION	QTY
1.	KY-8×7×25	KEY	1
2.	WS-Ø10	SPRING WASHER	15
3.	SC-M10×30L	SOCKET CAP SCREW	5
4.	4M-Y000-M2	Y AXIS BALL SCREW	1
5.	SC-M6x20L	SOCKET CAP SCREW	16
6.	M5-X085-L1	PROTECTION BLOCK	2
7.	4M-XA05-01	BEARING BRACKET	1
8.	TP-#4×45L	TAPER PIN	2
9.	6205ZZ	BEARING	1
10.	30205	BEARING	1
11.	4M-XA09-01	BEARING CAP	1
12.	V7-YA09-00	BEARING SPACER	1
13.	B8-Y035-00	M20 NUT	2
14.	SC-M10×40L	SOCKET CAP SCREW	10
15.	SC-M12×40L	SOCKET CAP SCREW	4
16.	WS-Ø12	SPRING WASHER	4
17.	KY-10×8×50L	KEY (HA100N(B)S、HC-SFS202)	1
18.	4M-X025-01	MOTOR BASE	1
19.	SC-M6×25L	SOCKET CAP SCREW	2
20.	4M-X054-F0	COUPLING (FANUC1.8~4KW)	1
20-1.	4M-X054-P1	COUPLING (MITSUBISHI 2~3.5KW、MITSUBISHI FOR M2000 2~3.5KW)	1
21.	4M-Y035-00	LOCK NUT	1
22.	4M-X026-00	BEARING SPACER	1
23.	4M-X009-01	BEARING CAP	1
24.	3062	BEARING	3
25.	3M-X007-00	MOTOR COVER	1
26.	SB-M4×8L	HEX SOCKET BUTTON HEAD SCREW	4
27.	4M-X005-01	BEARING BRACKET	1
28.	α12/3000i-3KW	SERVO MOTOR (FANUC)	1
28-1.	αc12/2000i-1.8KW	SERVO MOTOR (FANUC)	1
28-2.	HA100N(B)S-2KW	SERVO MOTOR (MITSUBISHI)	1
28-3.	HC-SFS202-2KW	SERVO MOTOR (MITSUBISHI FOR M2000)	1
29.	SC-M8x30L	SOCKET CAP SCREW	4
30.	WS-Ø8	SPRING WASHER	4
31.	WF-Ø5	FLAT WASHER	6
32.	SC-M5x20L	SOCKET CAP SCREW	6
33.	SS-M6x16L	SOCKET SET SCREW	2
34.	M4-X016-00	DOG	3
35.	TP-#4×38L	TAPER PIN	2
36.	4M-A000-02	BASE	1
37.	4M-C100-00	SCREW	8
38.	4M-C099-01	BASE BLOCK	8
39.	5M-C099-00	BASE BLOCK	1
40.	4M-C100-A1	SCREW	1

10.12 Z AXIS ASSEMBLY
 10.12.1 Z AXIS ASSEMBLY DRAWING

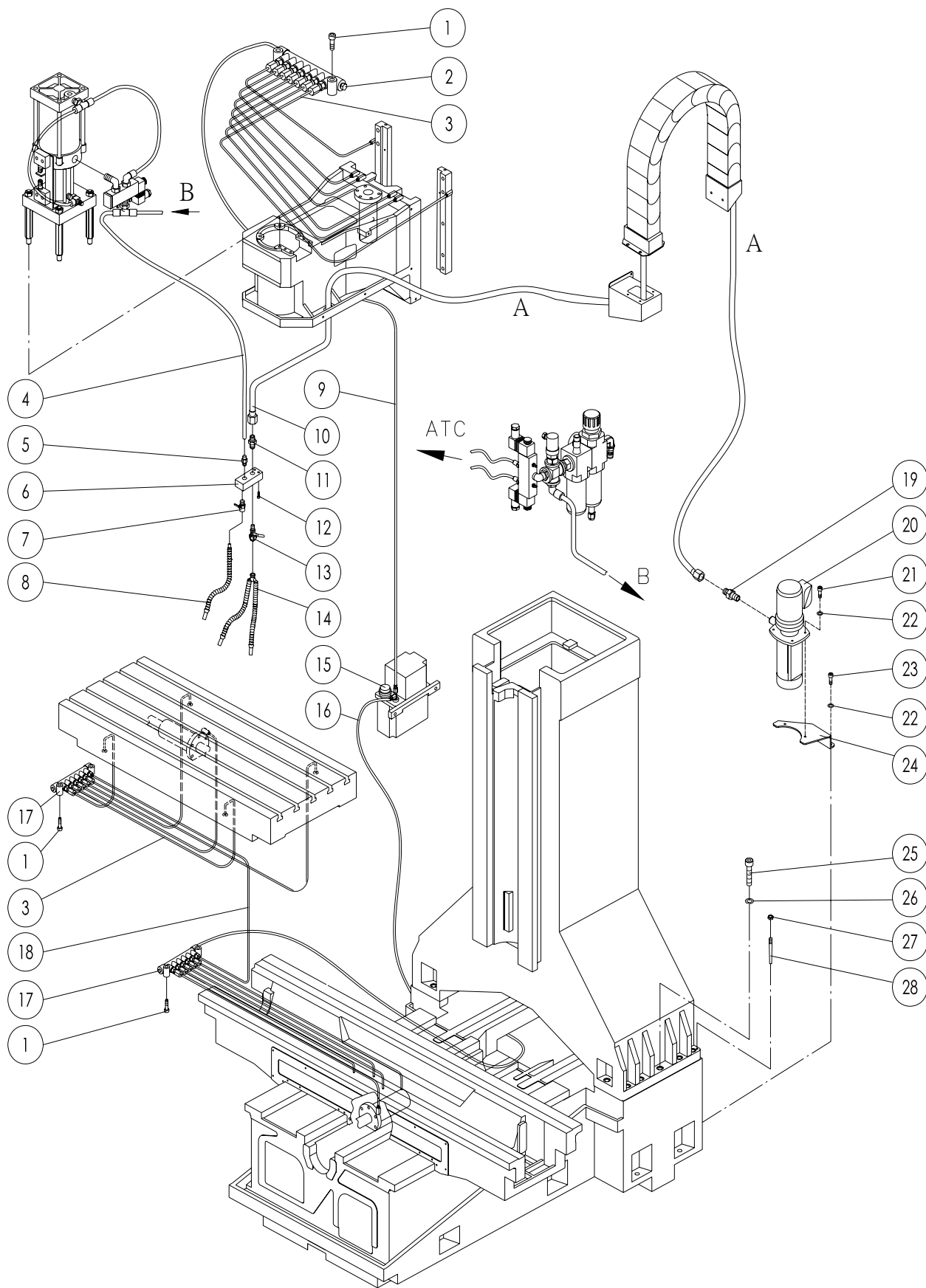


10.12.2 Z AXIS ASSEMBLY PART LIST

NO.	PART NO.	DESCRIPTION	QTY
1.	α12/3000i-3KW	SERVO MOTOR (FANUC)	1
1-1.	αc12/2000i-1.8KW	SERVO MOTOR (FANUC)	1
1-2.	HA100N(B)S-2KW	SERVO MOTOR (MITSUBISHI)	1
1-3.	HC-SFS202-2KW	SERVO MOTOR (MITSUBISHI FOR M2000)	1
2.	SC-M12×40L	SOCKET CAP SCREW	4
3.	WS-Ø12	SPRING WASHER	4
4.	KY-10×8×50L	KEY (HA100N(B)S、HC-SFS202)	1
5.	SC-M8×30L	SOCKET CAP SCREW	4
6.	WS-Ø8	SPRING WASHER	4
7.	4M-X025-01	MOTOR BASE	1
8.	4M-X054-F0	COUPLING (FANUC1.8~4KW)	1
8-1.	4M-X054-P1	COUPLING (MITSUBISHI 2~3.5KW、MITSUBISHI FOR M2000 2~3.5KW)	1
9.	SC-M6×25L	SOCKET CAP SCREW	4
10.	4M-Y035-00	LOCK NUT	1
11.	4M-X026-00	BEARING SPACER	1
12.	SC-M6×20L	SOCKET CAP SCREW	16
13.	4M-X009-01	BEARING CAP	1
14.	4M-Z000-M1	Z AXIS BALL SCREW	1
15.	M5-X085-L1	PROTECTION BLOCK	2
16.	3062	BEARING	3
17.	SC-M10×45L	SOCKET CAP SCREW	10
18.	WS-Ø10	SPRING WASHER	15
19.	TP-#4×45L	TAPER PIN	4
20.	4M-Z005-02	BEARING BRACKET	1
21.	SS-M6×16L	SOCKET SET SCREW	2
22.	3M-X007-00	MOTOR COVER	1
23.	SB-M4×8L	HEX SOCKET BUTTON HEAD SCREW	4
24.	KY-8×7×25L	KEY	1
25.	SC-M10×30L	SOCKET CAP SCREW	5
26.	TC-25×42×8	O RING	1
27.	4M-ZA05-01	Z AXIS CLAMPING	1
28.	6205ZZ	BEARING	1
29.	30205	BEARING	1
30.	4M-XA09-01	BEARING CAP	1
31.	V7-YA09-00	BEARING SPACER	1
32.	B8-Y035-00	M20 BEARING SPACER	2
33.	SC-530	CHAIN	2
34.	M3-Z008-00	BALANCING SCREW	2
35.	HB-M12	HOOK BOLT	1
36.	M4-A005-00	BALANCING BLOCK	1
37.	4M-A001-01	COLUMN	1
38.	V5-ZB04-00	CLAMPING PLATE	2
39.	M4-X016-00	DOG	3
40.	WF-Ø5	FLAT WASHER	6
41.	SC-M5×20L	SOCKET CAP SCREW	6
42.	3M-Z039-00	BEARING SPACER	4
43.	3M-Z037-00	BALANCING PULLEY	4
44.	6004ZZ	BEARING	4
45.	SE-42	SNAP RING	4
46.	SS-M6×8L	SOCKET SET SCREW	8
47.	3M-Z056-00	SPACER	4
48.	2M-Z038-00	BALANCING PULLEY SHAFT	2
49.	4M-Z029-02	Z AXIS BALANCING BASE	1
50.	SC-M6×12L	SOCKET CAP SCREW	6
51.	WS-Ø6	SPRING WASHER	6
52.	4M-Z083-00	BALANCING BASE	1
53.	WF-Ø6	FLAT WASHER	2
54.	SC-M6×16L	SOCKET CAP SCREW	2
55.	4M-Z080-01	BALANCING BASE	2
56.	Ø4	IRON WIRE	2
57.	4M-Z096-00	SCREW	2
58.	4M-Z097-00	COMPRESSION SPRING	2
59.	4M-Z095-00	BALANCING BASE	1

10.13 TABLE GUARD COOLANT SYSTEM ASSEMBLY

10.13.1 TABLE GUARD COOLANT SYSTEM ASSEMBLY DRAWING

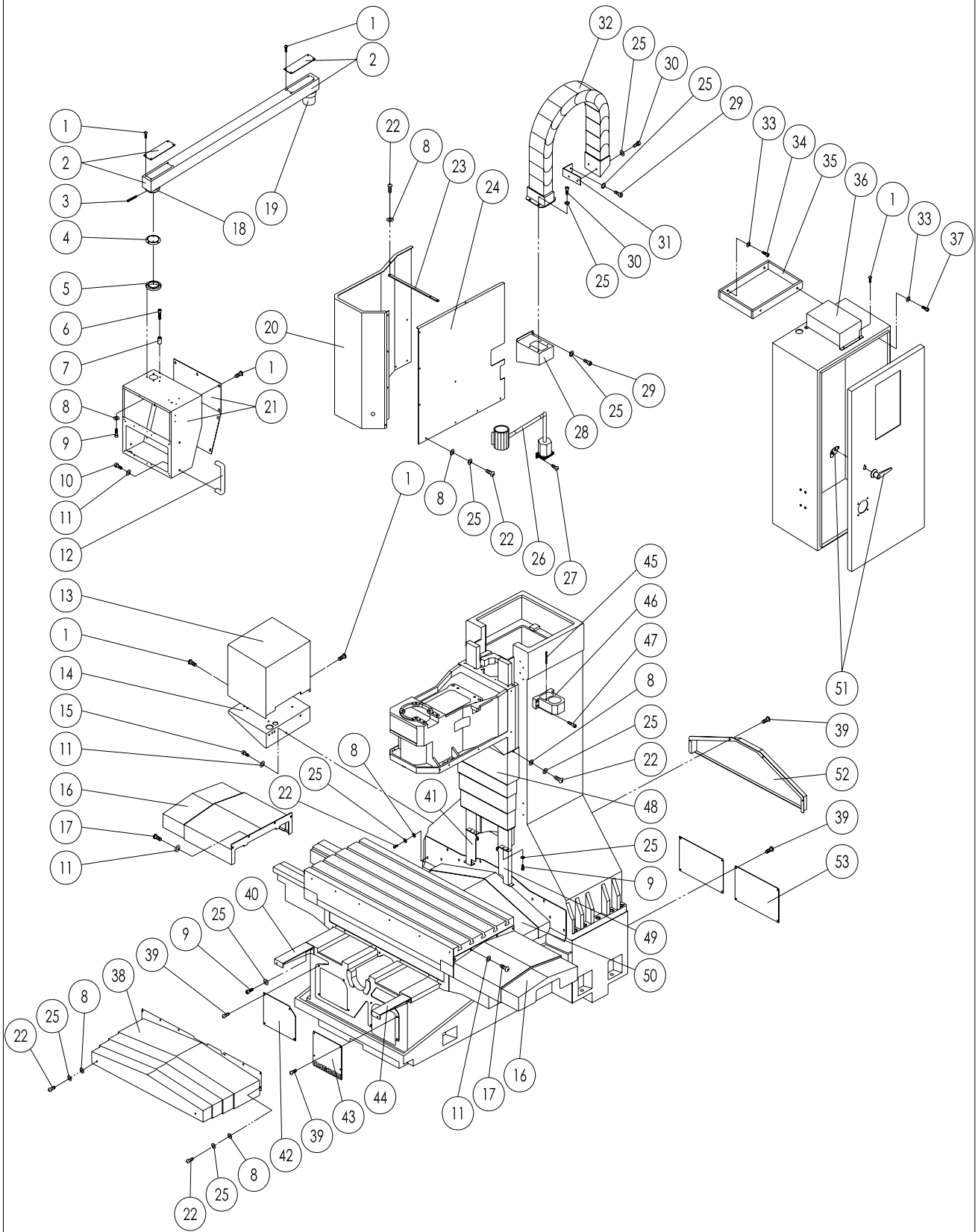


10.13.2 TABLE GUARD COOLANT SYSTEM ASSEMBLY PART LIST

NO.	PART NO.	DESCRIPTION	QTY
1.	SC-M6×25L	SOCKET CAP SCREW	6
2.	A9	OIL DISTRUBTE	1
3.	LT-Ø4	LUBRICATION OIL TUBING	17
4.	Ø8×850m	STAINLESS STEEL CONVEYING HOSES	1
5.	JPC8-02	LABORSAVING CONNECTION	1
6.	A6-Z045-00	COOLANT TUBSE BRACKET	1
7.	22MF(PT1/4"×PT1/4")	COCK	1
8.	PT1/4"×17	AIR TUBE	1
9.	Ø4×1300L	LUBRICATING STRING	1
10.	PH1/2"×1800L	STAINLESS STEEL CONVEYING HOSES	1
11.	PH1/2"×PT3/8"	WATER CONNECTION	1
12.	SC-M6×30L	SOCKET CAP SCREW	2
13.	3/8"	BALL VALVE	1
14.	10½"	COOLANT TUBE	1
15.	CSEW	ELECTRONIC LUBRICATION	1
16.	Ø4×4000L	LUBRICATING STRING	1
17.	A8	OIL DISTRUBTE	2
18.	Ø4×1400L	WATER OIL TUBING	1
19.	PH1/2"×PT1/4"	WATER CONNECTION	1
20.	MTA3-180	PUMP	1
21.	SC-M8×25L	SOCKET CAP SCREW	2
22.	WS-Ø8	SPRING WASHER	4
23.	SC-M8×20L	SOCKET CAP SCREW	2
24.	4M-A010-00	PUMP BASE	1
25.	SC-M16×70L	SOCKET CAP SCREW	12
26.	WS-Ø16	SPRING WASHER	12
27.	HN-M6	NUT	2
28.	DF-6004-00	GIB	2

10.14 TABLE GUARD SHEET METAL ASSEMBLY

10.14.1 TABLE GUARD SHEET METAL ASSEMBLY DRAWING

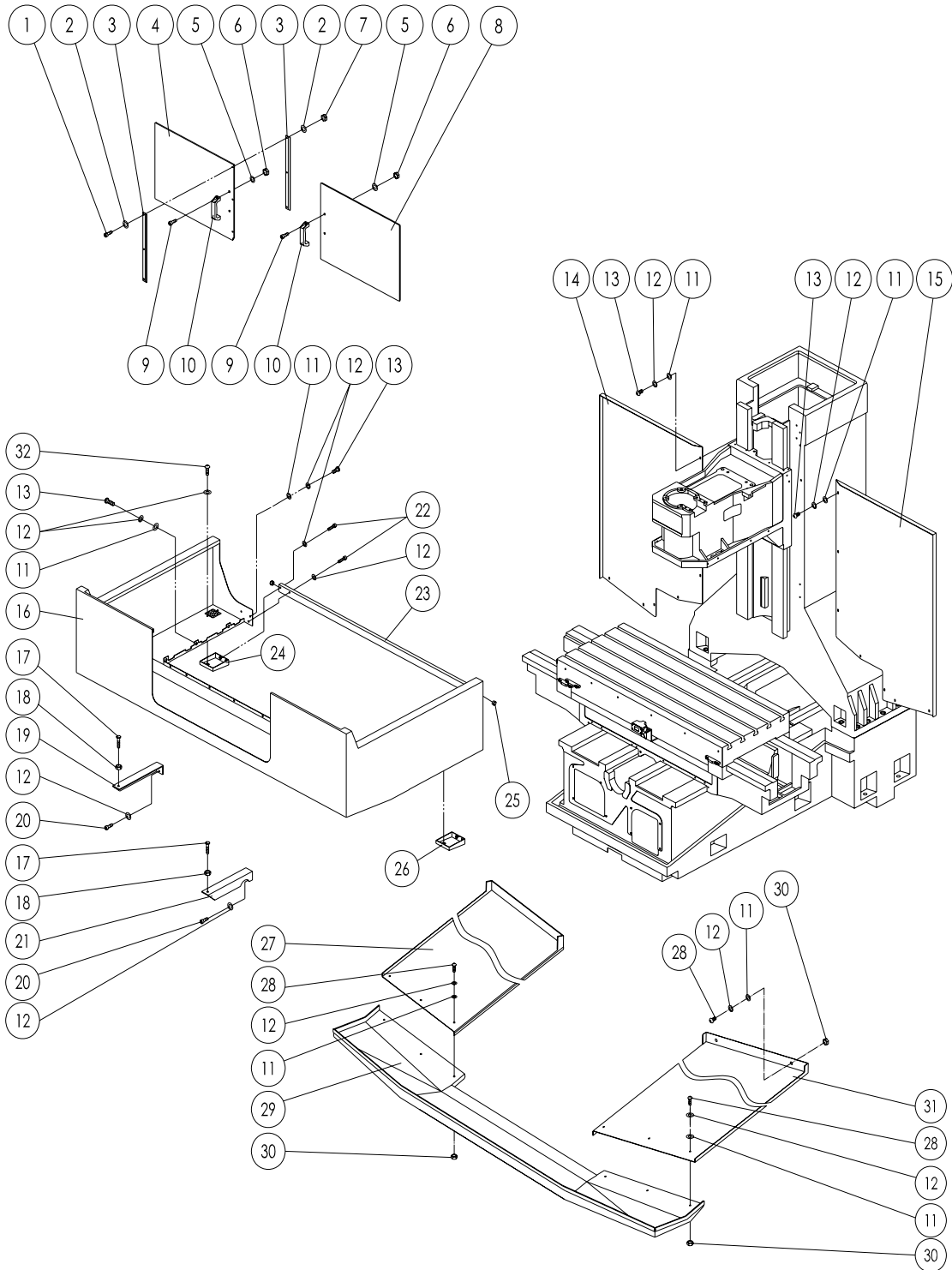


10.14.2 TABLE GUARD SHEET METAL ASSEMBLY PART LIST

NO.	PART NO.	DESCRIPTION	QTY
1.	SB-M5×10L	HEX SOCKET BUTTON HEAD SCREW	26
2.	M4-C144-B0	PENDANT ARM	1
3.	Ø6x24L	SPRING PIN	1
4.	6308	WASHER	1
5.	B6-C157-00	CONSOLE'S LINK	1
6.	SC-M6x20L	SOCKET CAP SCREW	2
7.	V6-C151-00	CONSOLE'S ANGLE FIXED LINK	2
8.	WF-Ø6	FLAT WASHER	50
9.	SC-M6×16L	SOCKET CAP SCREW	12
10.	SC-M8×8L	SOCKET CAP SCREW	2
11.	WF-Ø8	FLAT WASHER	12
12.	B6-C149-00	CONSOLE'S HANDLE	1
13.	4M-C170-01	CONVERTER BOX	1
14.	4M-C171-01	CONVERTE SUPPORTER	1
15.	SC-M8×20L	SOCKET CAP SCREW	2
16.	4M-X013-00	X AXIS TELESCOPING WAY COVER	2
17.	SC-M8×16L	SOCKET CAP SCREW	8
18.	B6-C156-00	CONSOLE'S LINK	1
19.	B6-C147-B0	PENDANT ARM POST	1
20.	4M-A030-02	HEAD COVER	1
21.	V5-C146-02	OPERATE CONSOLE	1
22.	SB-M6×12L	HEX SOCKET BUTTON HEAD SCREW	46
23.	M4-A032-00	HEAD COVER SUPPORTER	1
24.	4M-A031-01	RIGHT HEAD COVER FLANK	1
25.	WS-Ø6	SPRING WASHER	62
26.	JW-55½RNTM(110V/24V)	WORK LAMP	1
27.	M4×16L	SCREW	4
28.	V5-Z063-01	BRACKET SUPPORTER BASE	1
29.	SC-M6×12L	SOCKET CAP SCREW	4
30.	SC-M6×8L	SOCKET CAP SCREW	6
31.	V5-Z055-01	POWER CHAIN BRACKET	1
32.	RC2×KR100×15 目×NO.6	FLEXIBLE CARRIER	1
33.	WF-Ø10	FLAT WASHER	4
34.	SC-M10×30L	SOCKET CAP SCREW	2
35.	V6-C152-00	CABINET BRACKET	1
36.	M5-C148-A2	ELECTRIC BOX	1
37.	SC-M10×16L	SOCKET CAP SCREW	2
38.	5M-Y045-01	Y AXIS TELESCOPING WAY COVER (FRONT)	1
39.	SB-M6×10L	HEX SOCKET BUTTON HEAD SCREW	20
40.	5M-Y046-L1	Y AXIS TELESCOPING WAY COVER SUPPORTER (LEFT)	1
41.	4M-Z061-L0	Z AXIS TELESCOPING WAY COVER SUPPORTER (LEFT)	1
42.	4M-A022-00	COVER	1
43.	M4-A007-00	BASE FRONT COVER	1
44.	5M-Y046-R1	Y AXIS TELESCOPING WAY COVER SUPPORTER (RIGHT)	1
45.	Ø8×30L	SPRING PIN	1
46.	B7-C141-00	PENDANT ARM BRACKET	1
47.	SC-M8×30L	SOCKET CAP SCREW	4
48.	4M-Z060-00	Z AXIS TELESCOPING WAY COVER	1
49.	4M-Z061-R0	Z AXIS TELESCOPING WAY COVER SUPPORTER (RIGHT)	1
50.	4M-Y047-00	Y AXIS TELESCOPING WAY COVER (REAR)	1
51.	A-45-A	ELECTRIC BOX HANDLE (PLATE)	1
52.	4M-A013-00	REAR COVER	1
53.	M4-A008-00	BASE REAR COVER	2

10.15 TABLE GUARD ASSEMBLY

10.15.1 TABLE GUARD ASSEMBLY DRAWING

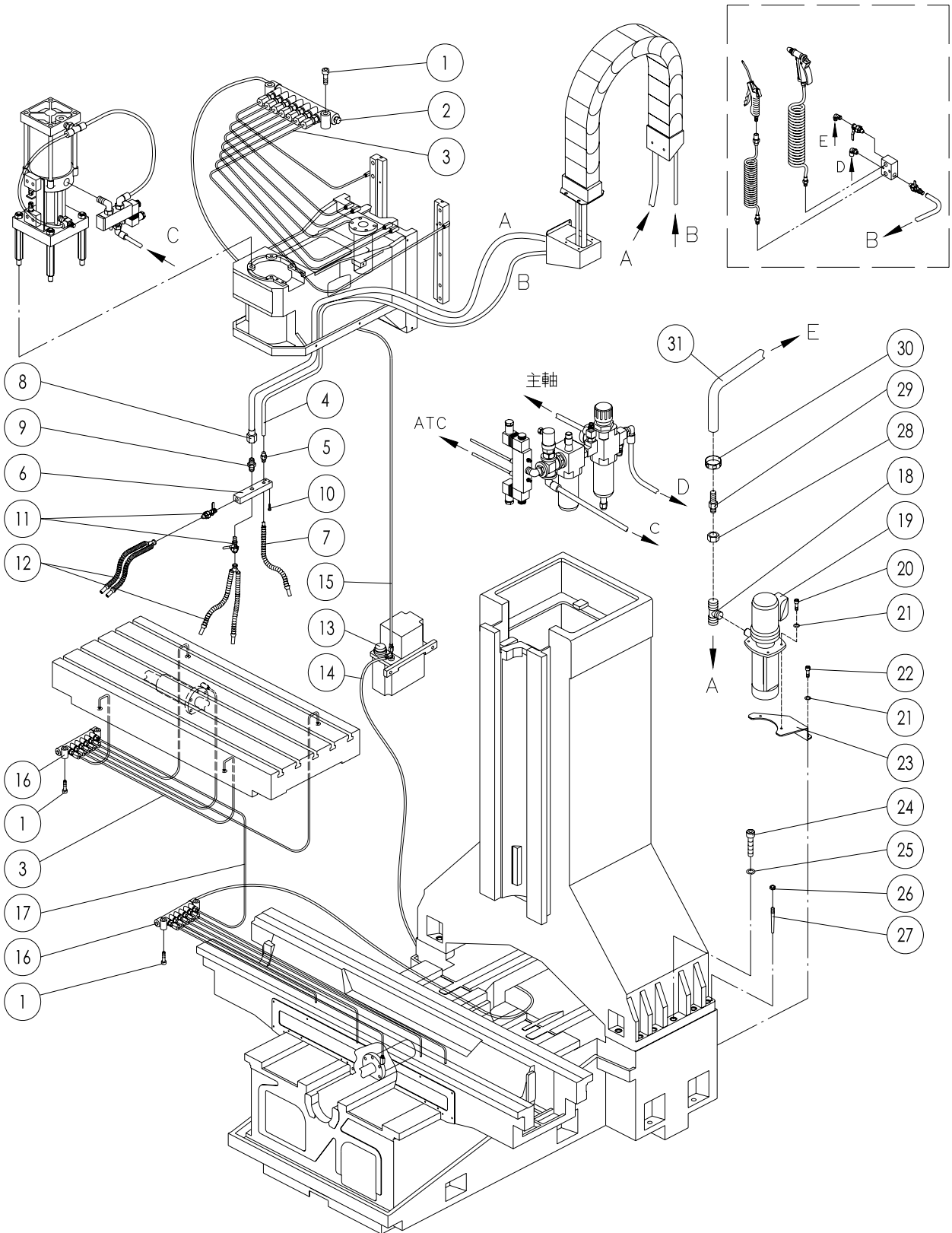


10.15.2 TABLE GUARD ASSEMBLY PART LIST

NO.	PART NO.	DESCRIPTION	QTY
1.	SC-M5x16L	SOCKET CAP SCREW	3
2.	WF-Ø5	FLAT WASHER	6
3.	M5-C163-00	PLASTIC SUPPORTER	2
4.	4M-C161-00	LEFT ACRYLIC SHEET	1
5.	WF-Ø8	FLAT WASHER	4
6.	HN-M8	NUT	4
7.	HN-M5	NUT	3
8.	4M-C162-00	RIGHT ACRYLIC SHEET	1
9.	SC-M8x20L	SOCKET CAP SCREW	4
10.	B6-C164-00	HANDLE	2
11.	WF-Ø6	FLAT WASHER	34
12.	WS-Ø6	SPRING WASHER	46
13.	SB-M6x12L	HEX SOCKET BUTTON HEAD SCREW	24
14.	M4-A115-L1	SPLASH GUARD (LEFT)	1
15.	M4-A115-R1	SPLASH GUARD (RIGHT)	1
16.	4M-C160-00	TABLE GUARD	1
17.	B6-C168-00	SUPPORTER SCREW	2
18.	HN-M10	NUT	2
19.	B6-C167-L1	TABLE GUARD SUPPORTER (LEFT)	1
20.	SC-M6x16L	SOCKET CAP SCREW	4
21.	B6-C167-R1	TABLE GUARD SUPPORTER (RIGHT)	1
22.	SC-M6x30L	SOCKET CAP SCREW	4
23.	4M-X060-00	CONDUCTING TUBING	1
24.	M5-C165-L1	WORK TABLE WATER TANK (LEFT)	1
25.	CF-6028-00	COVER	2
26.	M5-C165-R1	WORK TABLE WATER TANK (RIGHT)	1
27.	M4-A120-L1	LEFT WATER TRAY	1
28.	SB-M6x16L	HEX SOCKET BUTTON HEAD SCREW	10
29.	4M-A120-F0	FRONT WATER TRAY	1
30.	HN-M6	NUT	10
31.	M4-A120-R1	RIGHT WATER TRAY	1
32.	SB-M6x10L	HEX SOCKET BUTTON HEAD SCREW	4

10.16 FULL ENCLOSURE COOLANT SYSTEM ASSEMBLY

10.16.1 FULL ENCLOSURE COOLANT SYSTEM ASSEMBLY DRAWING

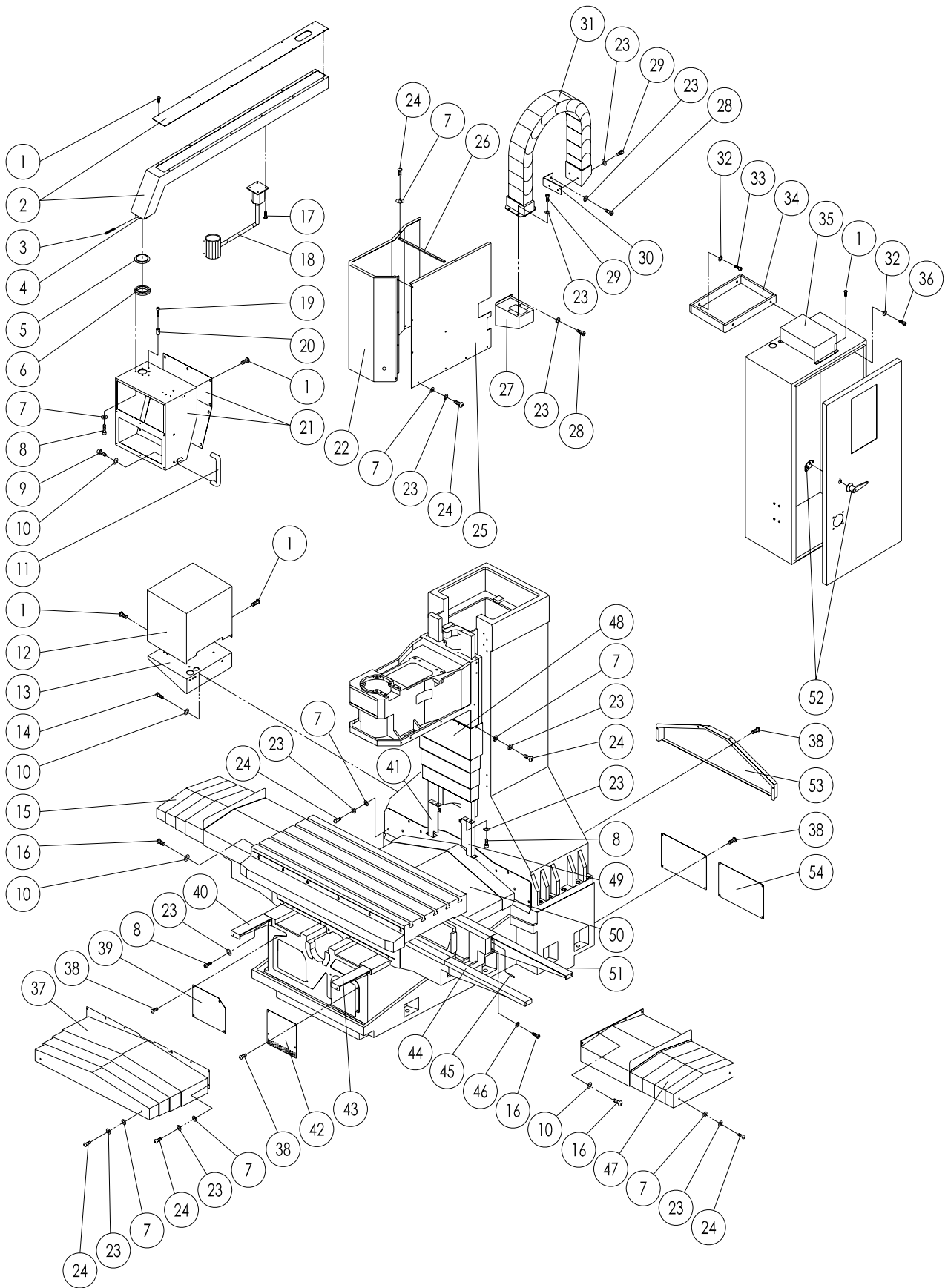


10.16.2 FULL ENCLOSURE COOLANT SYSTEM ASSEMBLY PART LIST

NO.	PART NO.	DESCRIPTION	QTY
1.	SC-M6×25L	SOCKET CAP SCREW	6
2.	A9	OIL DISTRUBTE	1
3.	LT-Ø4	LUBRICATION OIL TUBING	17
4.	Ø8×5.5m	STAINLESS STEEL CONVEYING HOSES	1
5.	JPC8-02	LABORSAVING CONNECTION	1
6.	4M-Z045-00	COOLANT TUBSE BRACKET	1
7.	PT1/4"×17	AIR TUBE	1
8.	PH1/2"×1800L	STAINLESS STEEL CONVEYING HOSES	1
9.	PH1/2"×PT3/8"	WATER CONNECTION	1
10.	SC-M6×30L	SOCKET CAP SCREW	2
11.	3/8"	BALL VALVE	2
12.	10½"	COOLANT TUBE	2
13.	CSEW	ELECTRONIC LUBRICATION	1
14.	Ø4×4000L	LUBRICATING STRING	1
15.	Ø4×1300L	LUBRICATING STRING	1
16.	A8	OIL DISTRUBTE	2
17.	Ø4×1400L	WATER OIL TUBING	1
18.	PH1/2"×PT1/4" ×PH1/2"	TRIPLE HEADED CONNECTION	1
19.	MTA3-180	COOLANT PUMP	1
20.	SC-M8×25L	SOCKET CAP SCREW	2
21.	WS-Ø8	SPRING WASHER	4
22.	SC-M8×20L	SOCKET CAP SCREW	2
23.	4M-A010-00	PUMP BASE	1
24.	SC-M16×70L	SOCKET CAP SCREW	12
25.	WS-Ø16	SPRING WASHER	12
26.	HN-M6	NUT	2
27.	DF-6004-00	GIB	2
28.	PH1/2"	HEX.NUT	1
29.	Ø1/2"	ADAPTER	1
30.	Ø3/4"	BIND TUBE	1
31.	Ø1/2"	WATER PIPE	1

10.17 FULL ENCLOSURE SHEET METAL ASSEMBLY

10.17.1 FULL ENCLOSURE SHEET METAL ASSEMBLY

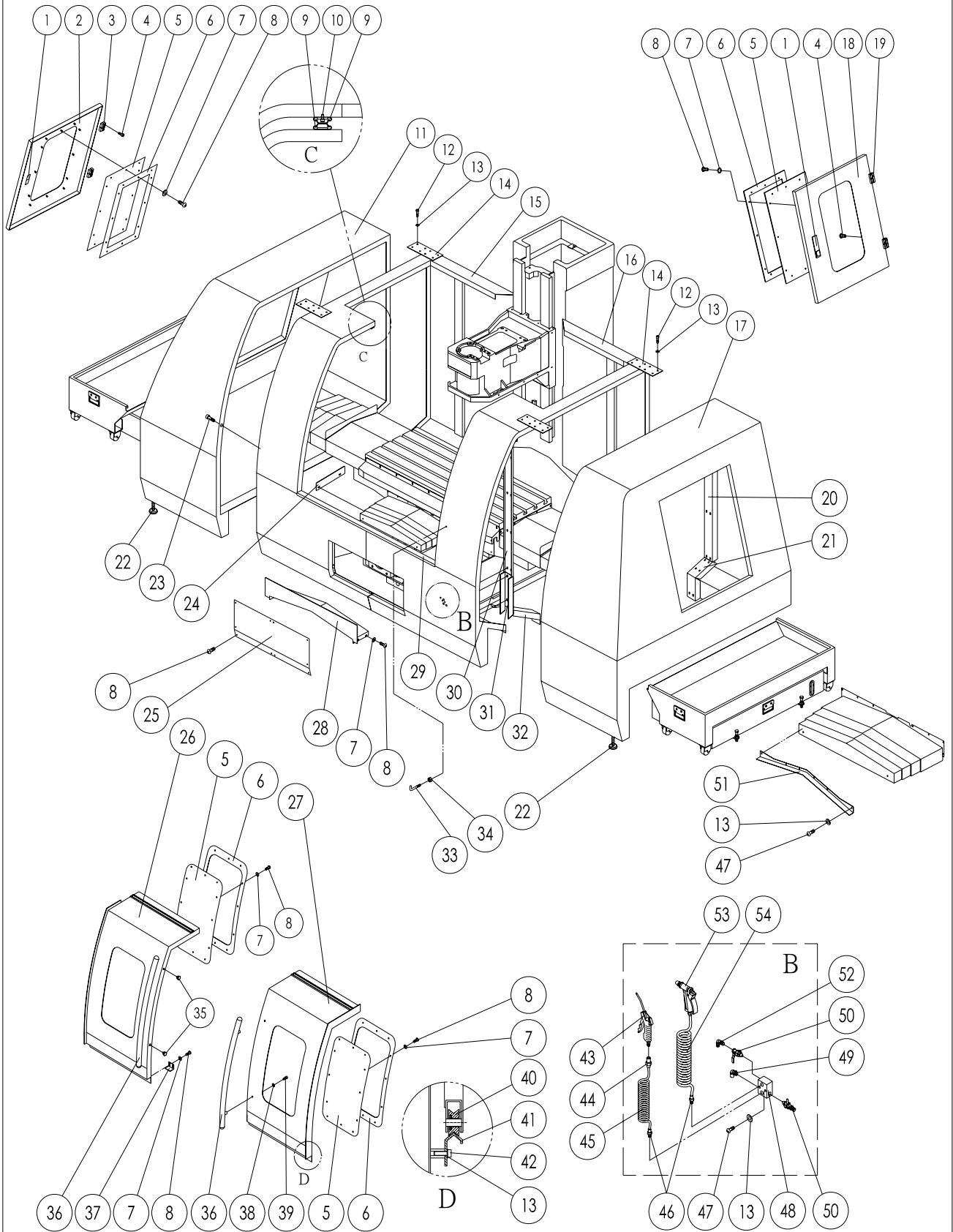


10.17.2 FULL ENCLOSURE SHEET METAL ASSEMBLY PART LIST

NO.	PART NO.	DESCRIPTION	QTY
1.	SB-M5x10L	HEX SOCKET BUTTON HEAD SCREW	30
2.	4M-C144-01	CONSOLE SUPPORTER	1
3.	Ø6×24L	SPRING PIN	1
4.	B6-C156-00	CONSOLE'S LINK	1
5.	6308	WASHER	1
6.	B6-C157-00	CONSOLE'S LINK	1
7.	WF-Ø6	FLAT WASHER	54
8.	SC-M6×16L	SOCKET CAP SCREW	12
9.	SC-M8×8L	SOCKET CAP SCREW	2
10.	WF-Ø8	FLAT WASHER	12
11.	B6-C149-00	CONSOLE'S HANDLE	1
12.	5M-C170-01	CONVERTER BOX	1
13.	5M-C171-00	CONVERTE SUPPORTER	1
14.	SC-M8×20L	SOCKET CAP SCREW	2
15.	4M-XA13-L1	X AXIS TELESCOPING WAY COVER (LEFT)	1
16.	SC-M8×16L	SOCKET CAP SCREW	20
17.	M4×16L	SCREW	4
18.	JW-55½RNTM(110V/24V)	WORK LAMP	1
19.	SC-M6×20L	SOCKET CAP SCREW	2
20.	V6-C151-00	CONSOLE'S ANGLE FIXED LINK	2
21.	V5-C146-02	OPERATE CONSOLE	1
22.	4M-A030-02	HEAD COVER	1
23.	WS-Ø6	SPRING WASHER	66
24.	SB-M6x12L	HEX SOCKET BUTTON HEAD SCREW	50
25.	4M-A031-01	RIGHT HEAD COVER FLANK	1
26.	M4-A032-00	HEAD COVER SUPPORTER	1
27.	V5-Z063-01	BRACKET SUPPORTER BASE	1
28.	SC-M6×12L	SOCKET CAP SCREW	4
29.	SC-M6×8L	SOCKET CAP SCREW	6
30.	V5-Z055-01	POWER CHAIN BRACKET	1
31.	RC2×KR100×15 目×NO.6	FLEXIBLE CARRIER	1
32.	WF-Ø10	FLAT WASHER	4
33.	SC-M10×30L	SOCKET CAP SCREW	2
34.	V6-C152-00	CABINET BRACKET	1
35.	M5-C148-A2	ELECTRIC BOX	1
36.	SC-M10×16L	SOCKET CAP SCREW	2
37.	5M-Y045-01	Y AXIS TELESCOPING WAY COVER (FRONT)	1
38.	SB-M6x10L	HEX SOCKET BUTTON HEAD SCREW	20
39.	4M-A022-00	COVER	1
40.	5M-Y046-L1	Y AXIS TELESCOPING WAY COVER SUPPORTER (LEFT)	1
41.	4M-Z061-L0	Z AXIS TELESCOPING WAY COVER SUPPORTER (LEFT)	1
42.	M4-A007-00	BASE FRONT COVER	1
43.	5M-Y046-R1	Y AXIS TELESCOPING WAY COVER SUPPORTER (RIGHT)	1
44.	4M-XA14-L0	X AXIS TELESCOPING WAY COVER SUPPORTER (LEFT)	2
45.	TP-#4×38L	GIB	8
46.	WS-Ø8	SPRING WASHER	12
47.	4M-XA13-R1	X AXIS TELESCOPING WAY COVER (RIGHT)	1
48.	4M-Z060-00	Z AXIS TELESCOPING WAY COVER	1
49.	4M-Z061-R0	Z AXIS TELESCOPING WAY COVER SUPPORTER (RIGHT)	1
50.	4M-Y047-00	Y AXIS TELESCOPING WAY COVER (REAR)	1
51.	4M-XA14-R0	X AXIS TELESCOPING WAY COVER SUPPORTER (RIGHT)	2
52.	A-45-A	ELECTRIC BOX HANDLE (PLATE)	1
53.	4M-A013-00	REAR COVER	1
54.	M4-A008-00	BASE REAR COVER	2

10.18 FULL ENCLOSURE ASSEMBLY

10.18.1 FULL ENCLOSURE ASSEMBLY DRAWING

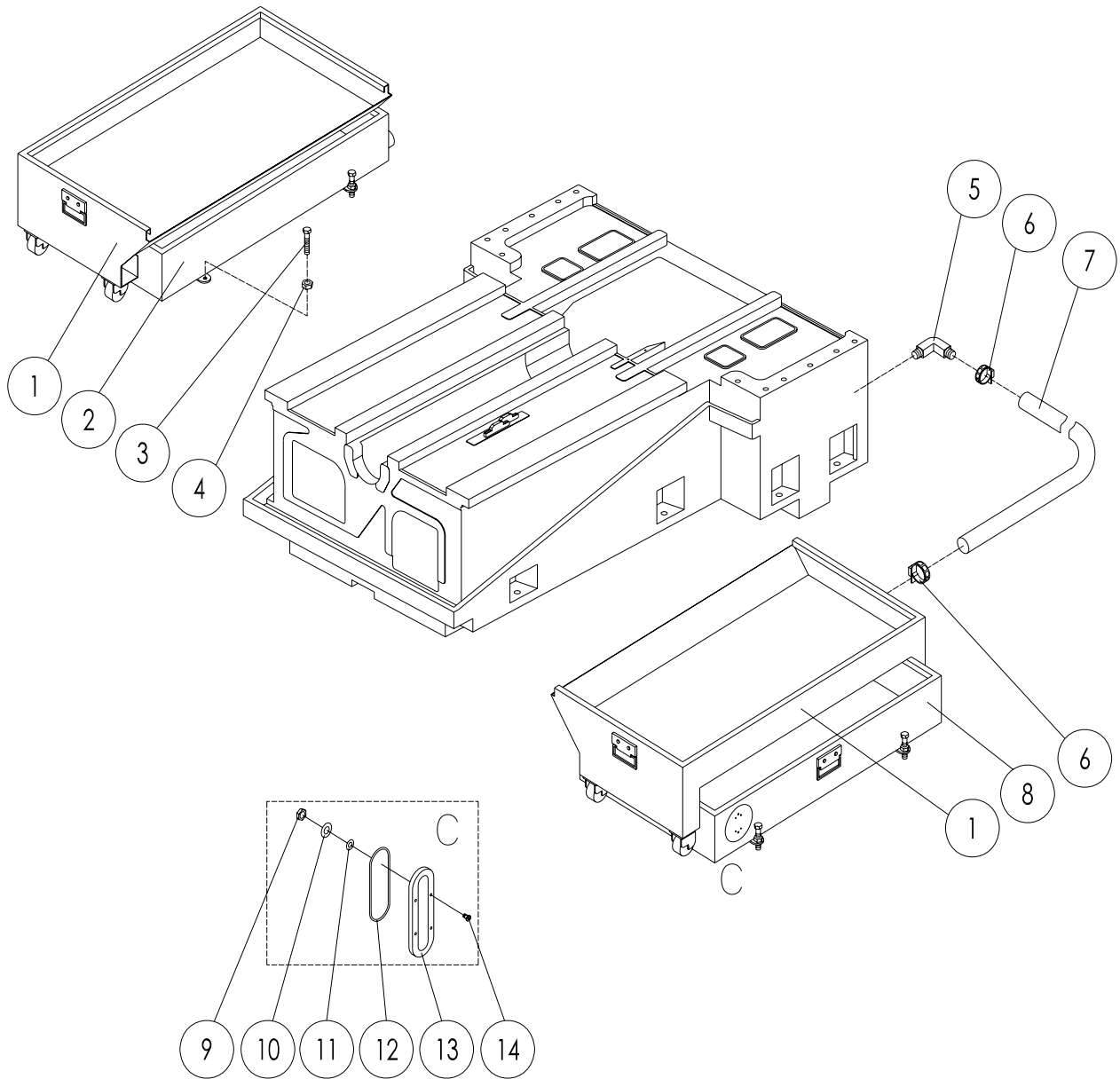


10.18.2 FULL ENCLOSURE ASSEMBLY PART LIST

NO.	PART NO.	DESCRIPTION	QTY
1.	4M-A431-00	HANDLE	2
2.	4M-A403-L0	LEFT DOOR	1
3.	4M-A432-L0	DOOR HINGE (LEFT)	2
4.	SC-M5×8L	SOCKET CAP SCREW	16
5.	V5-A052-00	ACRYLIC SHEET	4
6.	4M-A411-00	LATTIC FOR ACRYLIC SHEET	4
7.	WF-Ø5	FLAT WASHER	97
8.	SB-M5×10L	HEX SOCKET BUTTON HEAD SCREW	97
9.	4M-A433-00	18" BEELINE RAILWAY	2
10.	SC-M4×8L	SOCKET CAP SCREW	6
11.	4M-A401-L0	LEFT GUARD	1
12.	SC-M6×16L	SOCKET CAP SCREW	32
13.	WF-Ø6	FLAT WASHER	42
14.	4M-A412-00	GUARD SUPPORTER	4
15.	4M-A400-L0	LEFT GUARD	1
16.	4M-A400-R0	RIGHE GUARD	1
17.	4M-A401-R0	RIGHE GUARD	1
18.	4M-A403-R0	RIGHT DOOR	1
19.	4M-A432-R0	DOOR HINGE (RIGHT)	2
20.	4M-A422-00	SPLASH COVER	1
21.	4M-A423-00	SPLASH COVER	1
22.	A6-A054-00	FULL ENCLOSURE BEAR BASAL	2
23.	SC-M8×16L	SOCKET CAP SCREW	40
24.	4M-A421-00	SPLASH COVER	2
25.	4M-A435-00	MAINTENANCE COVER	1
26.	4M-A402-L0	LEFT DOOR	1
27.	4M-A402-R0	RIGHT DOOR	1
28.	4M-A413-00	SPLASH COVER	1
29.	4M-A436-00	FRONT AEGIS BASE	1
30.	4M-A414-00	SPLASH COVER	2
31.	4M-A415-00	SPLASH COVER	2
32.	4M-A416-00	SPLASH COVER	2
33.	A6-A050-00	AIR RIFLE PENDANT ARM	1
34.	HN-M6	NUT	1
35.	4M-A442-00	3 mm P.P BLOCK	2
36.	4M-A438-00	DOOR HANDLE	2
37.	4M-A439-00	FRONT DOOR BAFFLE PLATE	4
38.	WF-Ø8	FLAT WASHER	4
39.	SC-M8×8L	SOCKET CAP SCREW	4
40.	4M-A440-00	PULLEY BASE	4
41.	4M-A441-00	DOOR RAILWAY	2
42.	SC-M6×12L	SOCKET CAP SCREW	10
43.	KS-L-BU	AIR GUN	1
44.	SH-30	FAST CONNECTION	1
45.	0850-6M	ELASTIC PIPE	1
46.	A015	BRASS ADAPTER	2
47.	SB-M6×10L	HEX SOCKET BUTTON HEAD SCREW	8
48.	4M-A055-00	STAINLESS STEEL CONVEYING HOSES BRACKET	1
49.	PT1/4"	LABORSAVING CONNECTION	1
50.	PT1/4"(外牙)	BALL VALVE	2
51.	4M-A417-00	SPLASH COVER	1
52.	1/2"插心 x 1/4"PT	90° ADAPTER	1
53.		WATER RIFLE	1
54.	Ø12	ELASTIC PIPE	1

10.19 CHIP TANK ASSEMBLY

10.19.1 CHIP TANK ASSEMBLY DRAWING

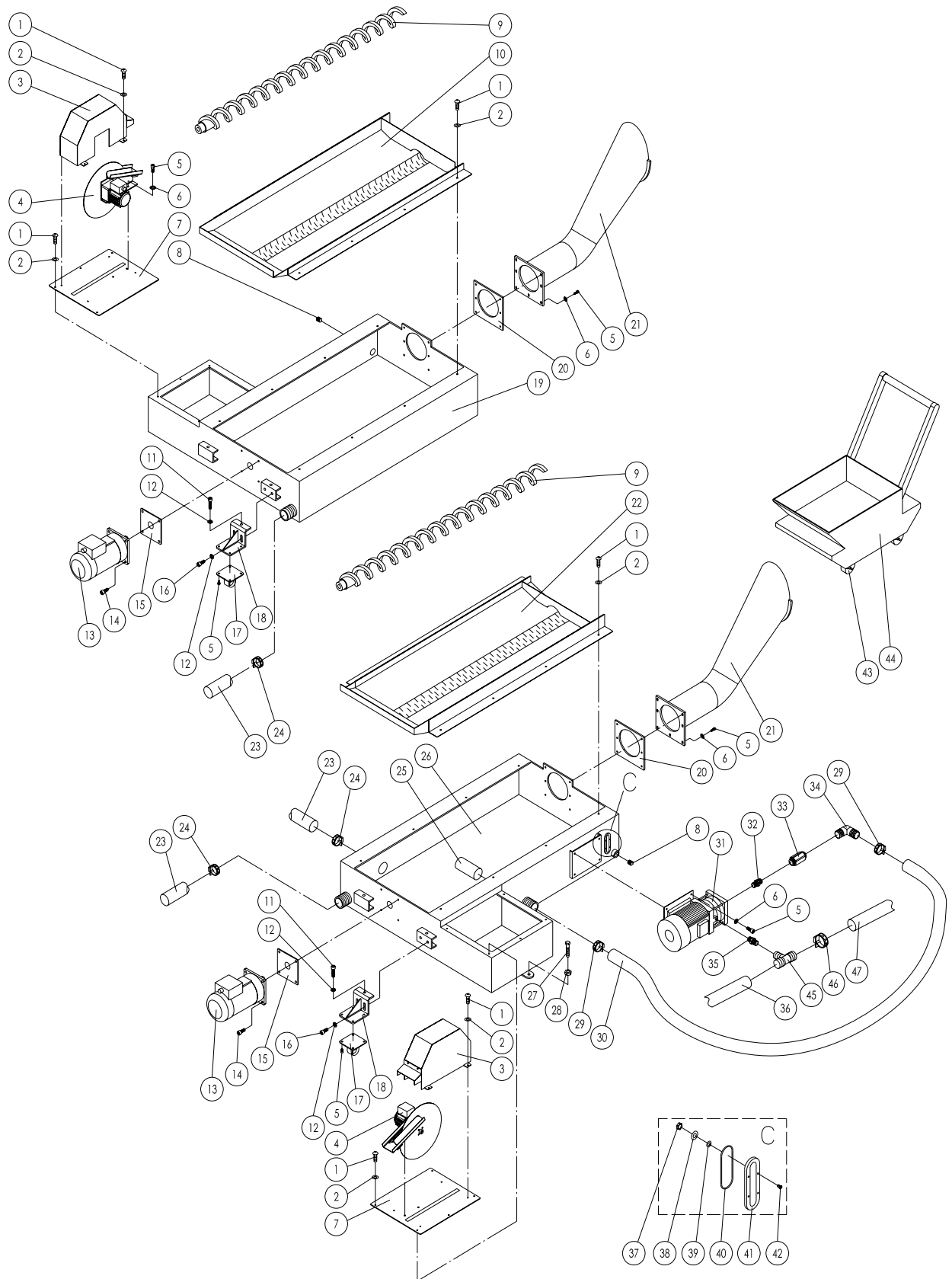


10.19.2 CHIP TANK ASSEMBLY PART LIST

NO.	PART NO.	DESCRIPTION	QTY
1.	4M-B410-00	CENTRALIZE DREGS PLATE	2
2.	4M-B400-L0	LEFT COOLANT TANK	1
3.	SH-M10×40L	HEX. HEAD SCREW	8
4.	HN-M10	NUT	8
5.	PT1"×Ø1¼"ADAPTER	90° ELBOW MALE STUD HOSE CONNECTOR	2
6.	Ø1½"	BIND TUBE	4
7.	Ø1¼"	WATER PIPE	2
8.	4M-B400-R0	RIGHT COOLANT TANK	1
9.	HN-M3	NUT	4
10.	WF-Ø3	FLAT WASHER	4
11.	O-RING -Ø3	O-RING	4
12.	O-RING -Ø55	O-RING	1
13.	CLA	OIL LENS	1
14.	SB-M3×16L	HEX SOCKET BUTTON HEAD SCREW	4

10.20 CHIP CONVEYOR & OIL SKIMMEY

10.20.1 CHIP CONVEYOR & OIL SKIMMEY DRAWING

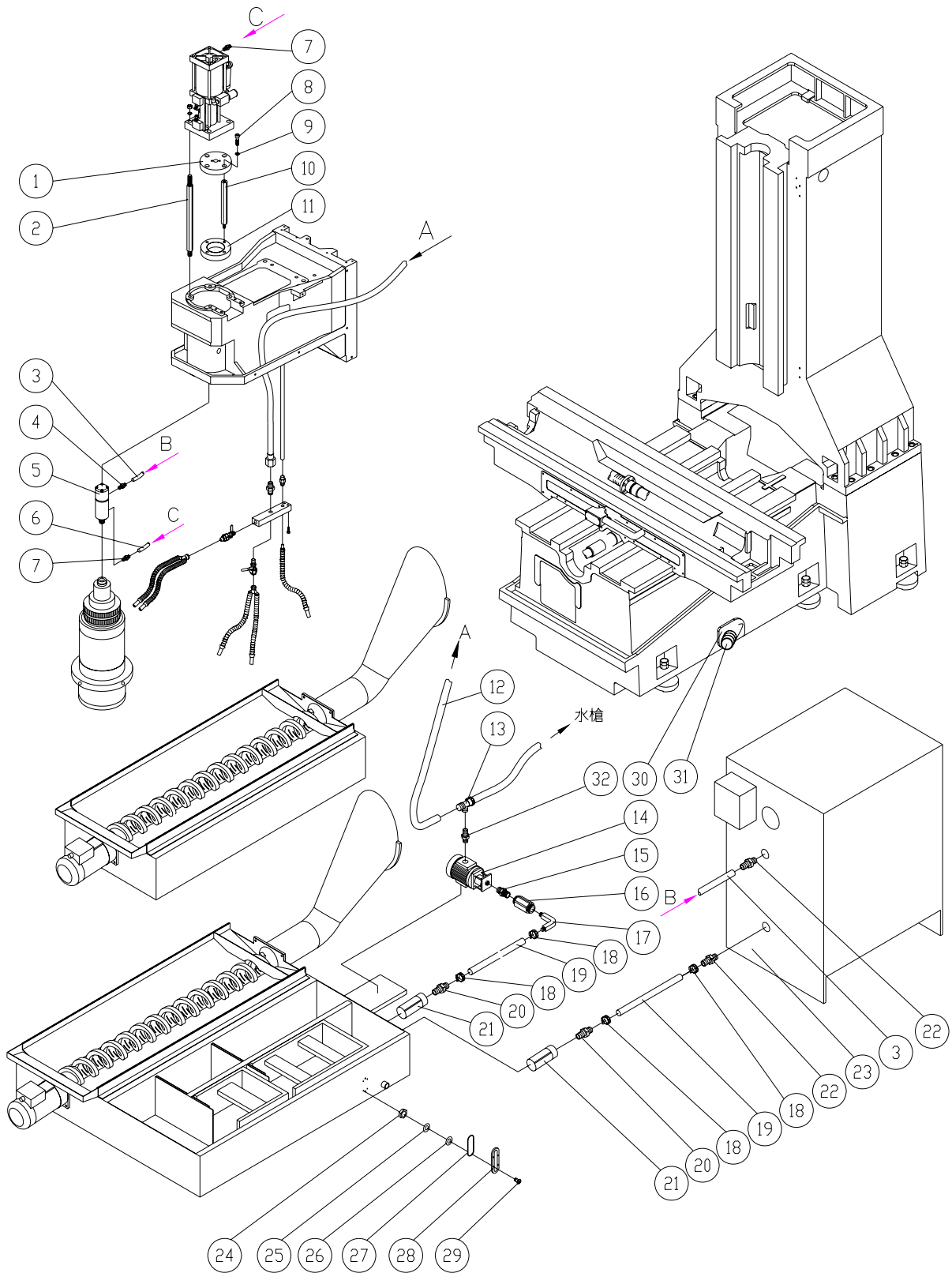


10.20.2 CHIP CONVEYOR & OIL SKIMMEY PART LIST

NO.	PART NO.	DESCRIPTION	QTY
1.	SB-M5×10L	HEX SOCKET BUTTON HEAD SCREW	34
2.	WF-Ø5	FLAT WASHER	34
3.	SK-3-A	GUARD	2
4.	SK-3	OIL SKIMMEY	2
5.	SC-M6×16L	SOCKET CAP SCREW	50
6.	WF-Ø6	FLAT WASHER	50
7.	4M-A450-00	COOLANT TANK COVER	2
8.	PT1/2"	PLUG	2
9.	4M-A446-00	SCREW TYPE CHIP CONVEYOR	2
10.	4M-B430-L0	CHIP PLATE (LEFT)	1
11.	SC-M10×40L	SOCKET CAP SCREW	8
12.	WF-Ø10	FLAT WASHER	24
13.	1/4HP 90:1 Ø18	BRAKE MOTOR	2
14.	SC-M8×20L	SOCKET CAP SCREW	8
15.	4M-A449-00	BRAKE MOTOR BASE	2
16.	SC-M10×25L	SOCKET CAP SCREW	16
17.	4M-A443-00	3" CAST WHEEL	8
18.	4M-A445-00	ACTIVITY WHEEL BRACKET	8
19.	4M-B422-L0	LEFT COOLANT TANK	1
20.	4M-A447-00	CHIP CONVEYOR PLATE	2
21.	4M-A448-00	CHIP CONVEYOR	2
22.	4M-B430-R0	CHIP PLATE (RIGHT)	1
23.	Ø2"	WATER PIPE	2
24.	Ø2¼"	BIND TUBE	4
25.	MF-10	SUCTION FILTER	1
26.	4M-B422-R0	RIGHT COOLANT TANK	1
27.	SH-M10×40L	HEX. HEAD SCREW	4
28.	HN-M10	NUT	4
29.	Ø1½"	BIND TUBE	2
30.	Ø1¼"	WATER PIPE	1
31.	TPH 2T2K	PUMP	1
32.	PT1"×PT1"	WATER CONNECTION	1
33.	PT1"×PT1"	CHECK VALVE	1
34.	PT1"×1¼"ADAPTER	90° ADAPTER	1
35.	PT1"×PH½"	BRASS ADAPTER	1
36.	PH½"	STAINLESS STEEL CONVEYING HOSES	1
37.	HN-M3	NUT	4
38.	WF-Ø3	FLAT WASHER	4
39.	O-RING -Ø3	O-RING	4
40.	O-RING -Ø55	O-RING	1
41.	CLA	OIL LENS	1
42.	SB-M3×16L	HEX SOCKET BUTTON HEAD SCREW	4
43.	4M-A451-00	3"PLASTIC WHEEL	4
44.	4M-B440-00	SCRAP IRON CAR	1
45.	PH1/2"×PT3/4"× PH1/2"	TRIPLE HEADED CONNECTION	1
46.	Ø3/4"	BIND TUBE	1
47.	Ø1/2"	WATER PIPE	1

10.21 COOLANT THROUGH SPINDLE / C.T.S. ASSEMBLY

10.21.1 COOLANT THROUGH SPINDLE / C.T.S. ASSEMBLY DRAWING

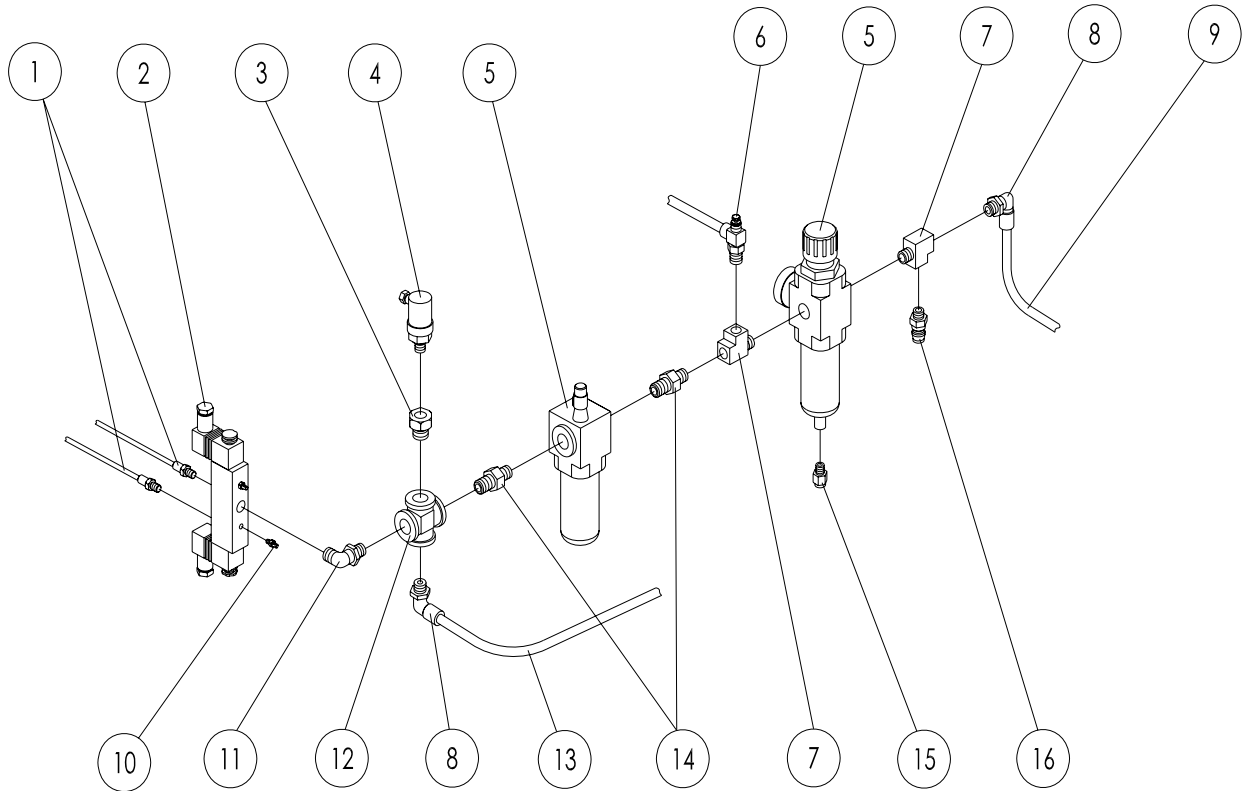


10.21.2 COOLANT THROUGH SPINDLE / C.T.S. ASSEMBLY PART LIST

NO.	PART NO.	DESCRIPTION	QTY
1.	M5-H052-00	BRACKET BLOCK	1
2.	M5-H046-A0	LOCK BOLT	4
3.	PT3/8"×4000L	PU CONVEYING HOSES	1
4.	PT3/8"×PT3/8"	WATER CONNECTION	1
5.	GXA009013983	ROTATING CONNECTION	1
6.	PT1/4"×Ø10	STAINLESS STEEL CONVEYING HOSES	1
7.	PT3/8"×PT1/4"	ADJUSTING CONNECTION	2
8.	SC-M8×25L	SOCKET CAP SCREW	4
9.	WS-Ø8	SPRING WASHER	4
10.	4M-H046-00	LOCK BOLT	4
11.	M5-H050-00	CLAMP RING	1
12.	PH1/2"×1800L	OIL TUBING	1
13.	PH1/2"× PT3/4"×PH1/2"	TRIPLE HEADED CONNECTION	1
14.	TPH2T2K	PUMP	1
15.	PT1"×PT1"	WATER CONNECTION	1
16.	PT1"×PT1"(閉)	CHECK VALVE	1
17.	PT1"× Ø1¼"ADAPTER	90° ADAPTER	1
18.	Ø1½"	BIND TUBE	4
19.	Ø1¼"	WATER PIPE	2
20.	PT1¼"× Ø1¼"ADAPTER	WATER CONNECTION	2
21.	MF-10	SUCTION FILTER	2
22.	PT1"×Ø1¼"ADAPTER	WATER CONNECTION	1
23.	VETRF-20.30.01	COOLANT FILTERING SYSTEM	1
24.	HN-M3	NUT	4
25.	WF-Ø3	FLAT WASHER	4
26.	O-RING -Ø3	O-RING	4
27.	O-RING -Ø55	O-RING	1
28.	CLA	OIL LENS	1
29.	SB-M3×16L	HEX SOCKET BUTTON HEAD SCREW	4
30.	M4-A076-00	PLASTIC PACKING	1
31.	M4-A075-00	CONNECTION	1
32.	1"PTx3/4PT	BRASS ADAPTER	1

10.22 AIR FILTER REGULATOR FOR FULL ENCLOSURE W/- ATC & 8000RPM

10.22.1 AIR FILTER REGULATOR FOR FULL ENCLOSURE W/- ATC & 8000RPM DRAWING



10.22.2 AIR FILTER REGULATOR FOR FULL ENCLOSURE W/- ATC & 8000RPM PART LIST

NO.	PART NO.	DESCRIPTION	QTY
1.	3175.08.13	WATER CONNECTION	2
2.	PHS520D-8-110V-D	SOLENOID VALVES	1
3.	P045	BRASS ADAPTER	1
4.	PMM10A14K	PRESSURE SWITCH	1
5.	AV321-10-AAD40	AIR FILTER REGULATOR W/- METER	1
6.	JSC8-03	STUD FITTING	1
7.	P104	BRASS ADAPTER	2
8.	3109.10.17	SUTD FITTING	2
9.	Ø10×4.5m	PU CONVEYING HOSES	1
10.	SL-01	SLIEVCERS	2
11.	PT1/4"×PT1/4"(P075)	90° BRASS ADAPTER	1
12.	P101	BRASS ADAPTER	1
13.	Ø10×3.5m	PU CONVEYING HOSES	1
14.	PT3/8"×PT3/8"(P013)	BRASS ADAPTER	2
15.	JPC8-01	LABORSAVING CONNECTION	1
16.	PM-30(A)	BRASS ADAPTER	1