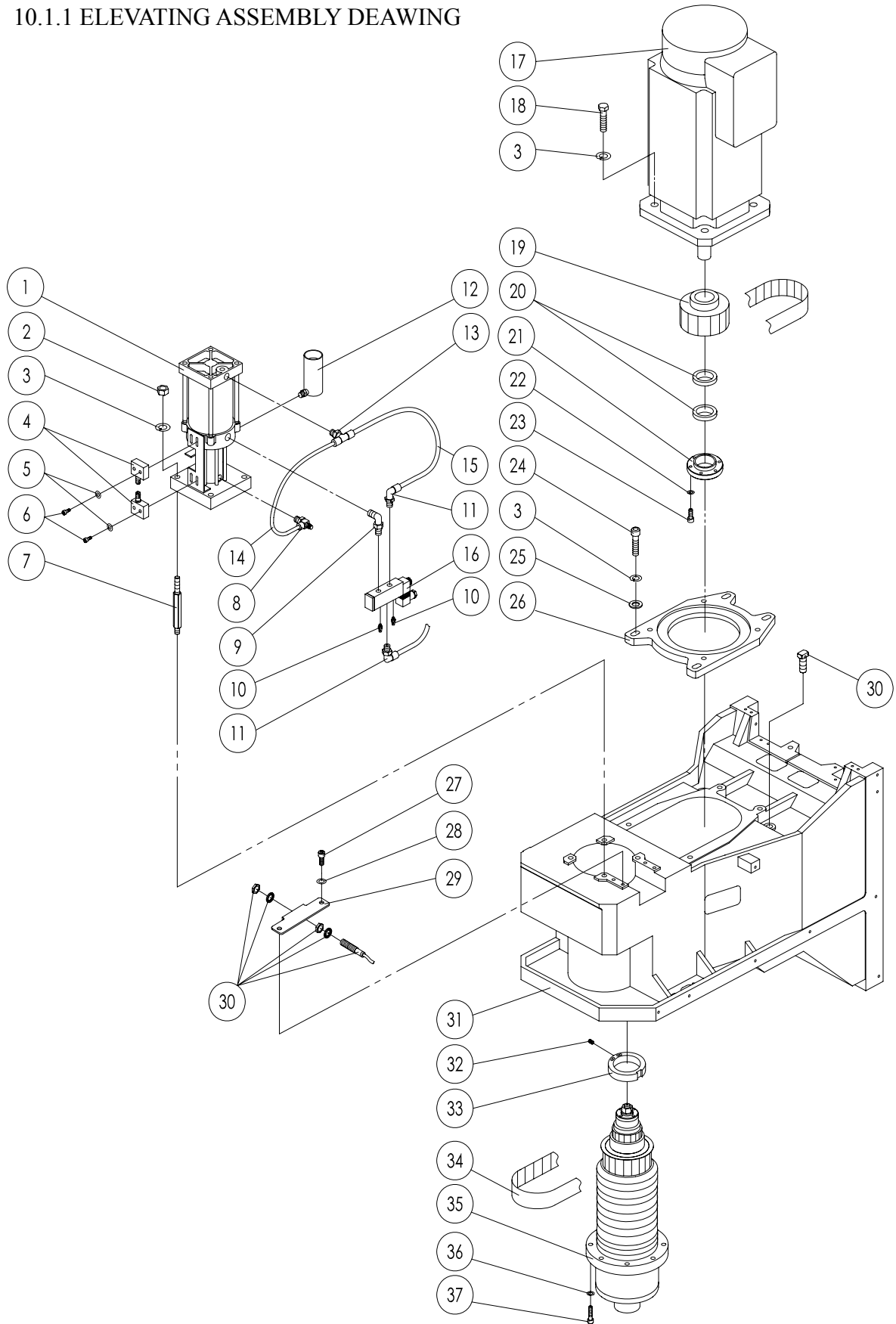


# 10. PARTS LIST

## 10.1 8000RPM ELEVATING ASSEMBLY ( I ) - FANUC

### 10.1.1 ELEVATING ASSEMBLY DEAWING

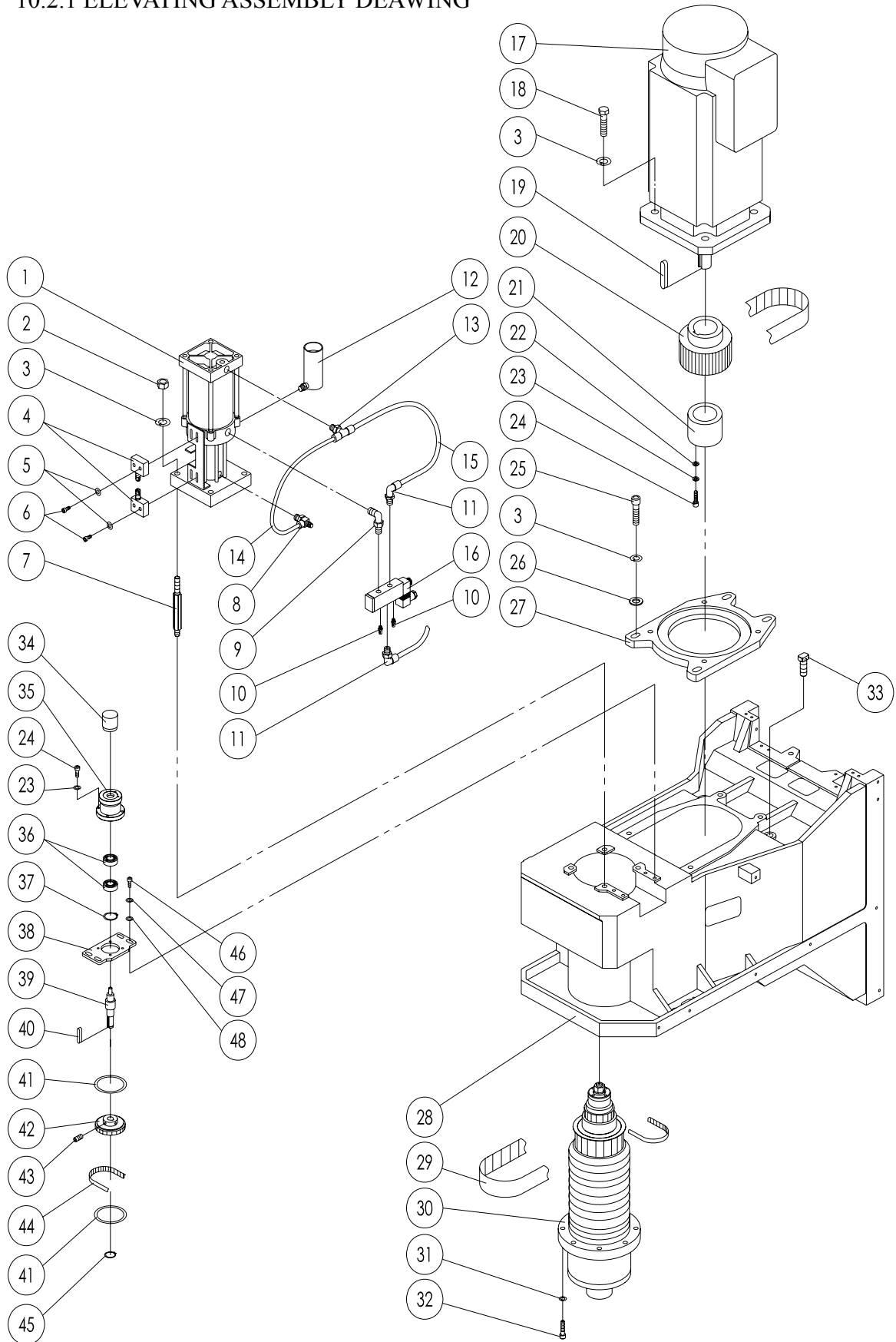


10.1.2 8000RPM ELEVATING ASSEMBLY PARTS LIST ( I ) - FANUC

| NO. | PART NO.            | DESCRIPTION                 | QTY |
|-----|---------------------|-----------------------------|-----|
| 1.  | 3.5TON×13           | PNEUMATIC BOOSTING CYLINDER | 1   |
| 2.  | HN-M12              | NUT                         | 4   |
| 3.  | WS-Ø12              | SPRING WASHER               | 8   |
| 4.  | TZ7311              | LIMIT SWITCH                | 2   |
| 5.  | WF-Ø4               | FLAT WASHER                 | 4   |
| 6.  | SC-M4×30L           | SOCKET CAP SCREW            | 4   |
| 7.  | 4M-H046-00          | LOCK BOLT                   | 4   |
| 8.  | JSC1002-B           | STUD FITTING                | 1   |
| 9.  | PT1/4"×PT1/4"(P074) | 90° BRASS ADAPTER           | 1   |
| 10. | SL-01 1/8           | SLIEVCERS                   | 2   |
| 11. | 3109.10.13          | STUD FITTING                | 2   |
| 12. | OIL CAP             | OIL CAP                     | 1   |
| 13. | 3108.10.13          | STUD FITTING                | 1   |
| 14. | Ø10×40L             | PU CONVEYING HOSES          | 1   |
| 15. | Ø10×30L             | PU CONVEYING HOSES          | 1   |
| 16. | PHS520S-8           | SOLENOID VALVES             | 1   |
| 17. | α12/7000i           | SPINDLE MOTOR (FANUC)       | 1   |
| 18. | SH-M12×30L          | HEX. HEAD SCREW             | 4   |
| 19. | 4M-H051-F1          | 8YU HTD GEAR                | 1   |
| 20. | Ø48×Ø55×10          | BEARING                     | 2   |
| 21. | 4M-H008-M0          | LOCK BLOCK                  | 1   |
| 22. | WS-Ø6               | SPRING WASHER               | 6   |
| 23. | SC-M6×20L           | SOCKET CAP SCREW            | 6   |
| 24. | SC-M12×40L          | SOCKET CAP SCREW            | 4   |
| 25. | Ø12×Ø35×6           | FLAT WASHER                 | 4   |
| 26. | M4-H049-01          | MOTOR BASE                  | 1   |
| 27. | SC-M8×16L           | SOCKET CAP SCREW            | 4   |
| 28. | WS-Ø8               | SPRING WASHER               | 8   |
| 29. | V5-H057-A1          | SENIOR BRACKET              | 1   |
| 30. | SENIOR              | SENIOR                      | 1   |
| 31. | 5M-A002-04          | ELEVATING CASTING           | 1   |
| 32. | SS-M6×10L           | SOCKET SET SCREW            | 1   |
| 33. | 3M-H054-A0          | SENSOR'S ORIENTATION RING   | 1   |
| 34. | 8YU-1032×42         | SPINDLE HTD BELT            | 1   |
| 35. | BT-#40              | SPINDLE (SPINTECH)          | 1   |
| 36. | WS-Ø10              | SPRING WASHER               | 6   |
| 37. | SC-M10×35L          | SOCKET CAP SCREW            | 6   |

## 10.2 8000RPM ELEVATING ASSEMBLY ( I ) - ATRUMP

### 10.2.1 ELEVATING ASSEMBLY DEAWING

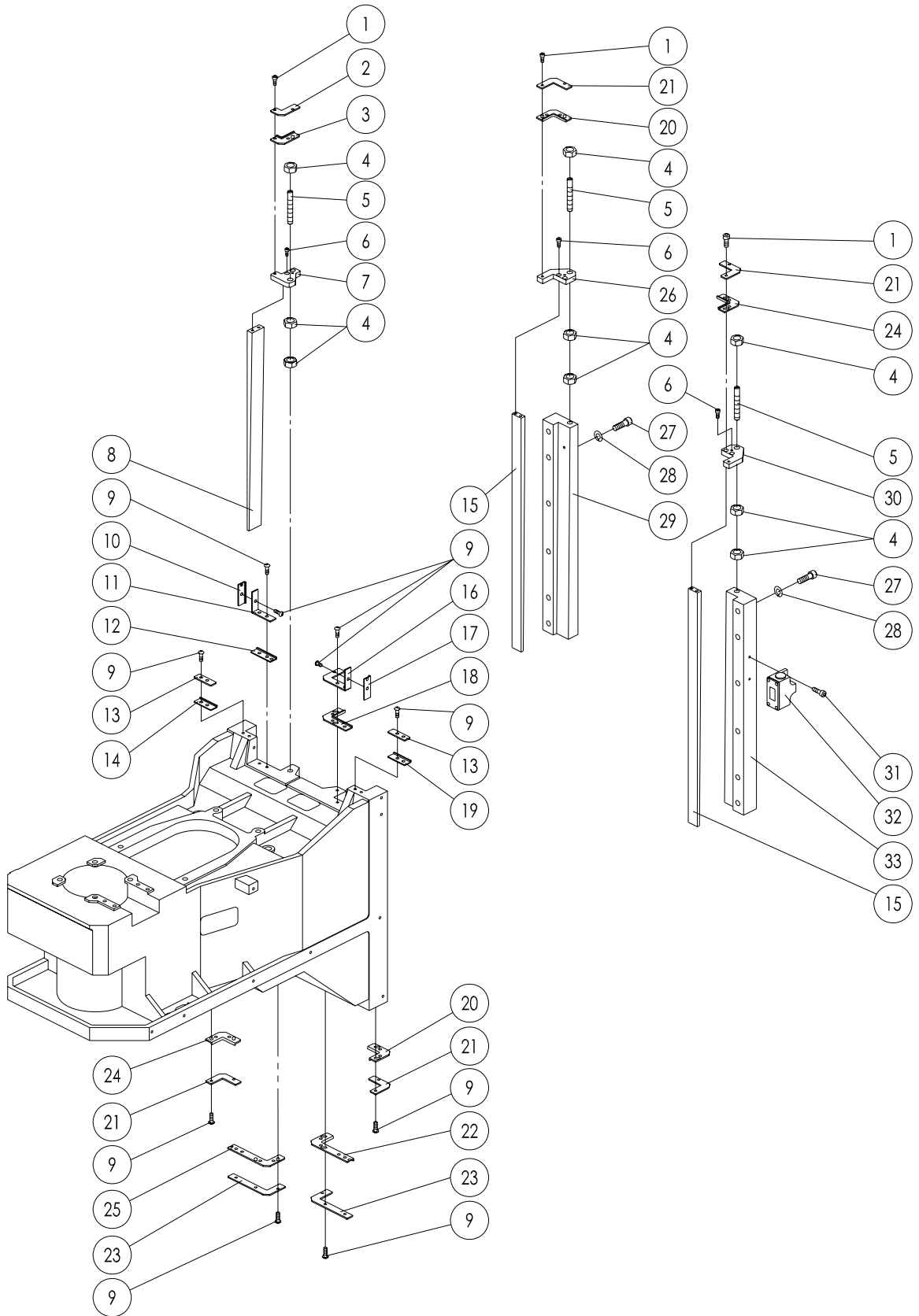


## 10.2.2 8000RPM ELEVATING ASSEMBLY PARTS LIST ( I ) - ATRUMP

| NO. | PART NO.            | DESCRIPTION                       | QTY |
|-----|---------------------|-----------------------------------|-----|
| 1.  | 3.5TON×13           | PNEUMATIC BOOSTING CYLINDER       | 1   |
| 2.  | HN-M12              | NUT                               | 4   |
| 3.  | WS-Ø12              | SPRING WASHER                     | 12  |
| 4.  | TZ7311              | LIMIT SWITCH                      | 2   |
| 5.  | WF-Ø4               | FLAT WASHER                       | 4   |
| 6.  | SC-M4×30L           | SOCKET CAP SCREW                  | 4   |
| 7.  | 4M-H046-00          | LOCK BOLT                         | 4   |
| 8.  | JSC1002-B           | STUD FITTING                      | 1   |
| 9.  | PT1/4"×PT1/4"(P074) | 90° BRASS ADAPTER                 | 1   |
| 10. | SL-01 1/8           | SLIEVCERS                         | 2   |
| 11. | 3109.10.13          | STUD FITTING                      | 2   |
| 12. | OIL CAP             | OIL CAP                           | 1   |
| 13. | 3108.10.13          | STUD FITTING                      | 1   |
| 14. | Ø10×40L             | PU CONVEYING HOSES                | 1   |
| 15. | Ø10×30L             | PU CONVEYING HOSES                | 1   |
| 16. | PHS520S-8           | SOLENOID VALVES                   | 1   |
| 17. | SJ-PF15(20HP)       | SPINDLE MOTOR (MITSUBISHI)        | 1   |
| 18. | SH-M12×30L          | HEX. HEAD SCREW                   | 4   |
| 19. | KY-10×8×63L         | KYE                               | 1   |
| 20. | M4-H051-M0          | 8YU HTD GEAR (MITSUBISHI 15、20HP) | 1   |
| 21. | M4-H008-M1          | HTD GEAR CAP                      | 1   |
| 22. | WF-Ø5               | FLAT WASHER                       | 3   |
| 23. | WS-Ø5               | SPRING WASHER                     | 7   |
| 24. | SC-M5×20L           | SOCKET CAP SCREW                  | 7   |
| 25. | SC-M12×40L          | SOCKET CAP SCREW                  | 4   |
| 26. | Ø12×Ø35×6           | FLAT WASHER                       | 4   |
| 27. | M4-H049-01          | MOTOR BASE                        | 1   |
| 28. | 5M-A002-04          | ELEVATING CASTING                 | 1   |
| 29. | 8YU-1032×42         | SPINDLE HTD BELT (48T:48T)        | 1   |
| 30. | BT-#40              | SPINDLE (SPINTECH)                | 1   |
| 31. | WS-Ø10              | SPRING WASHER                     | 6   |
| 32. | SC-M10×35L          | SOCKET CAP SCREW                  | 6   |
| 33. | M5-Z008-00          | BALANCING SCREW                   | 2   |
| 34. | LOA-507-1024        | ENCODER                           | 1   |
| 35. | V7-H056-00          | BEARING BRACKET                   | 1   |
| 36. | 6003LLB             | BEARING                           | 2   |
| 37. | SR-35               | SNAP RING (FOR HOLD)              | 1   |
| 38. | V7-H057-00          | ENCODER BRACKET                   | 1   |
| 39. | B8-H058-00          | ENCODER SHAFT                     | 1   |
| 40. | KY-5×5×25L          | KYE                               | 1   |
| 41. | V7-H062-00          | SIDE RING                         | 2   |
| 42. | V7-H061-00          | ENCODER PULLEY                    | 1   |
| 43. | SS-M5×6L            | SOCKET SET SCREW                  | 2   |
| 44. | 5GT-450×10          | ENCODER HTD BELT                  | 1   |
| 45. | SE-15               | SNAP RING (FOR SHAFT)             | 1   |
| 46. | SC-M8×16L           | SOCKET CAP SCREW                  | 4   |
| 47. | WS-Ø8               | SPRING WASHER                     | 4   |
| 48. | WF-Ø8               | FLAT WASHER                       | 4   |

## 10.3 ELEVATING ASSEMBLY ( II )

### 10.3.1 ELEVATING ASSEMBLY DEAWING

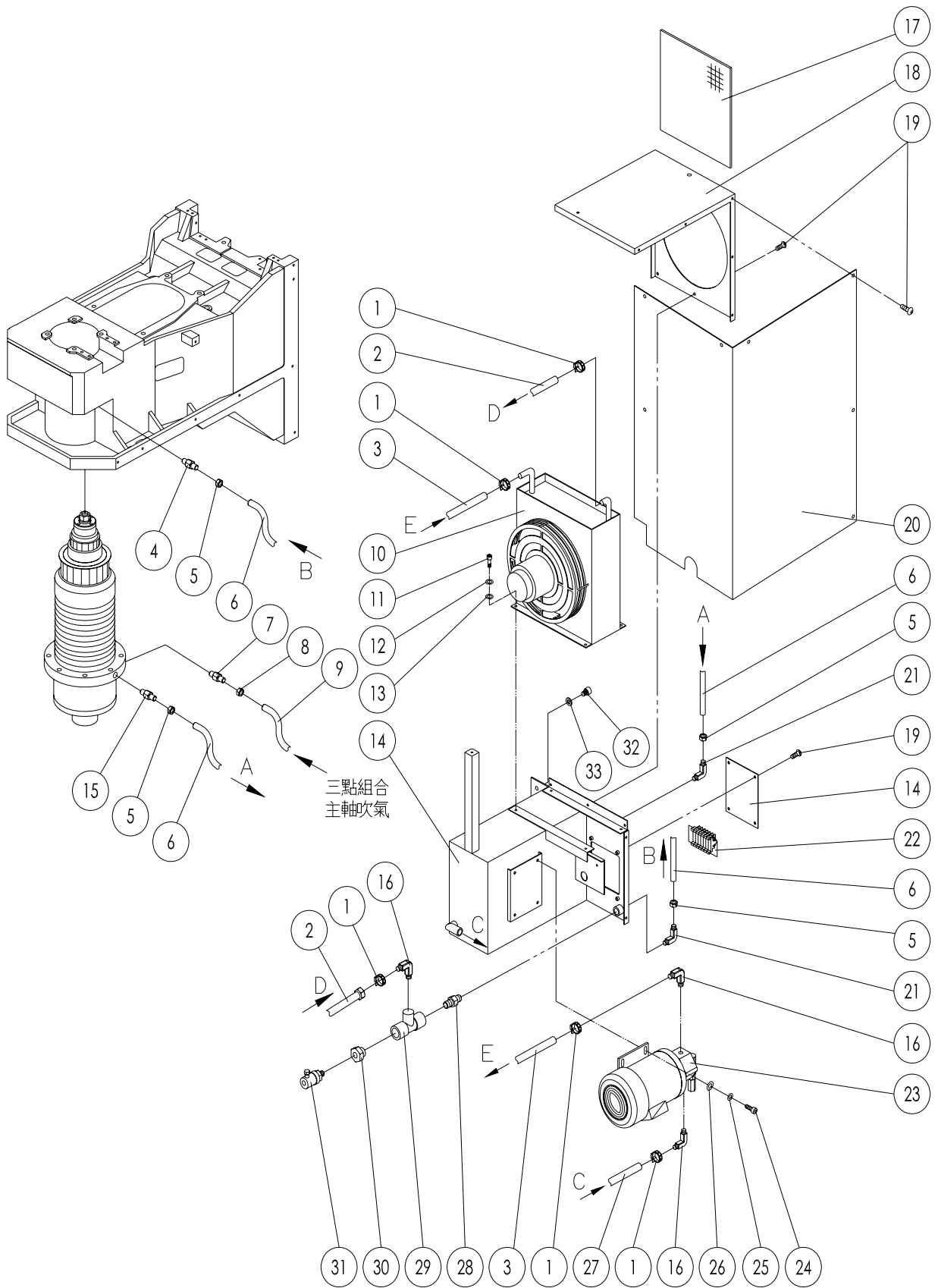


### 10.3.2 ELEVATING ASSEMBLY PART LIST ( II )

| NO. | PART NO.         | DESCRIPTION                  | QTY |
|-----|------------------|------------------------------|-----|
| 1.  | SC-M5×12L        | SOCKET CAP SCREW             | 6   |
| 2.  | M5-Z079-00       | WIPER HOLDER                 | 1   |
| 3.  | M5-Z078-00       | WIPER                        | 1   |
| 4.  | HN-M12           | NUT                          | 9   |
| 5.  | M6-X046-00       | GIB SCREW                    | 3   |
| 6.  | SC-M6×16L        | SOCKET CAP SCREW             | 6   |
| 7.  | 4M-Z077-C0       | GIB ADJUSTING PLATE          | 1   |
| 8.  | M5-Z024-00       | GIB                          | 1   |
| 9.  | SB-M6x16L        | HEX SOCKET BUTTON HEAD SCREW | 21  |
| 10. | 5M-Z016-L0       | WIPER                        | 1   |
| 11. | 5M-Z017-L0       | WIPER HOLDER                 | 1   |
| 12. | 5M-Z015-L0       | WIPER                        | 1   |
| 13. | 5M-Z013-00       | WIPER HOLDER                 | 2   |
| 14. | 5M-Z014-L0       | WIPER                        | 1   |
| 15. | M6-Z022-00       | ELEVATING CASTING GIB        | 2   |
| 16. | 5M-Z017-R0       | WIPER HOLDER                 | 1   |
| 17. | 5M-Z016-R0       | WIPER                        | 1   |
| 18. | 5M-Z015-R0       | WIPER                        | 1   |
| 19. | 5M-Z014-R0       | WIPER                        | 1   |
| 20. | M5-Z048-R0       | WIPER                        | 2   |
| 21. | M5-Z049-00       | WIPER                        | 4   |
| 22. | M5-Z014-L0       | WIPER                        | 1   |
| 23. | M5-Z007-00       | WIPER HOLDER                 | 2   |
| 24. | M5-Z048-L0       | WIPER                        | 2   |
| 25. | M5-Z014-R0       | WIPER                        | 1   |
| 26. | M5-Z047-L0       | GIB ADJUSTING PLATE          | 1   |
| 27. | SC-M12×50L       | SOCKET CAP SCREW             | 12  |
| 28. | WS-Ø12           | SPRING WASHER                | 12  |
| 29. | 5M-Z010-00       | DEPRESSOR (LEFT)             | 1   |
| 30. | M5-Z047-R0       | GIB ADJUSTING PLATE          | 1   |
| 31. | SC-M5×20L        | SOCKET CAP SCREW             | 2   |
| 32. | SN02D12-502C1688 | LIMIT SWITCH                 | 1   |
| 33. | 5M-Z011-00       | DEPRESSOR (RIGHT)            | 1   |

# 10.4 OLD COOLER ASSEMBLY

## 10.4.1 OLD COOLER ASSEMBLY DRAWING

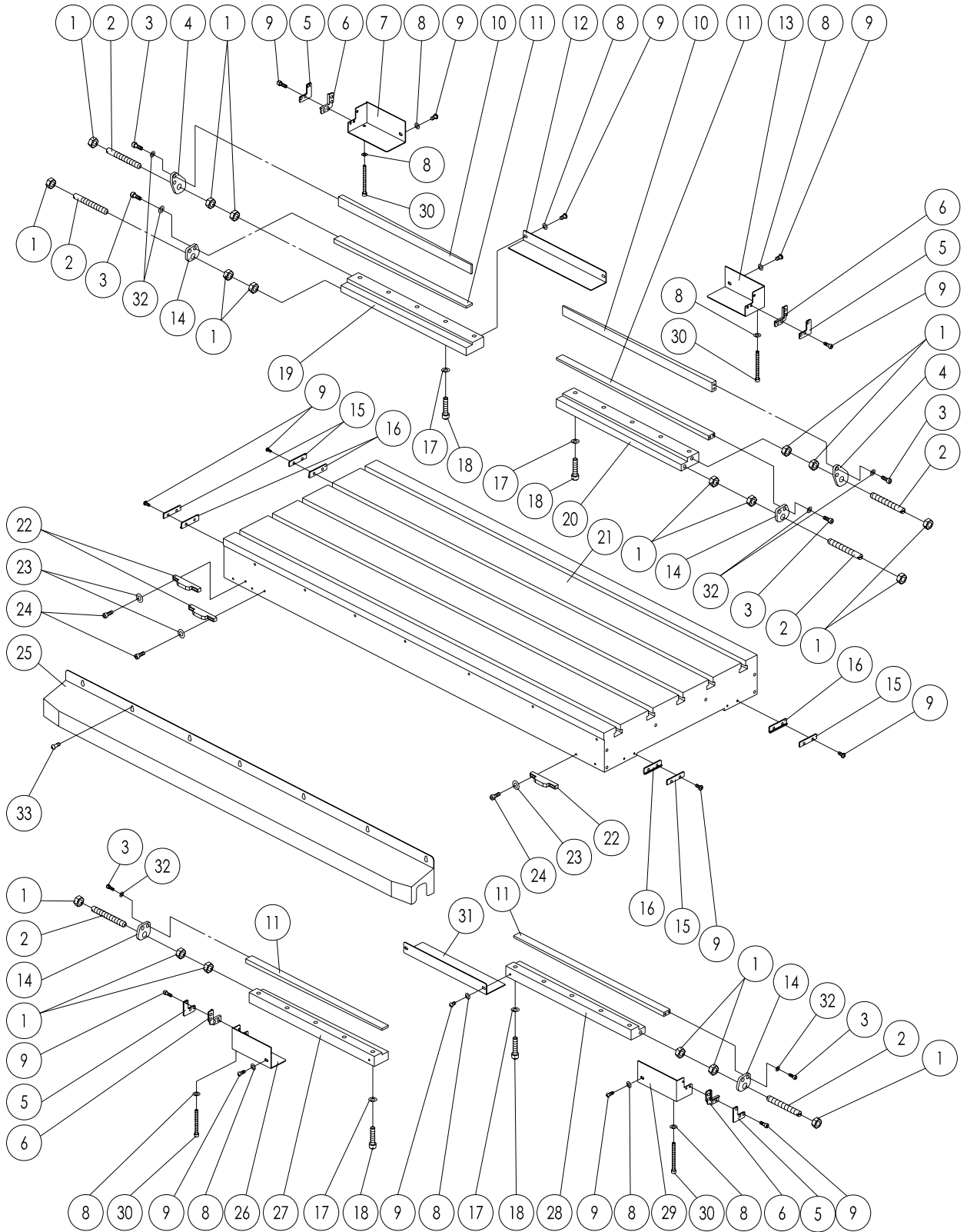


## 10.4.2 OLD COOLER ASSEMBLY PART LIST

| NO. | PART NO.               | DESCRIPTION                        | QTY |
|-----|------------------------|------------------------------------|-----|
| 1.  | Ø7/8"                  | BIND TUBE                          | 6   |
| 2.  | Ø1/2"×650L             | STAINLESS STEEL CONVEYING HOSES    | 1   |
| 3.  | Ø1/2"×520L             | STAINLESS STEEL CONVEYING HOSES    | 1   |
| 4.  | PT3/8"× Ø10            | BRASS ADAPTER                      | 1   |
| 5.  | Ø10                    | BRASS SLEEVE                       | 2   |
| 6.  | Ø10×2800L              | PU STAINLESS STEEL CONVEYING HOSES | 2   |
| 7.  | PT1/8"× Ø8             | BRASS ADAPTER                      | 1   |
| 8.  | Ø8                     | BRASS SLEEVE                       | 1   |
| 9.  | Ø8×3.6m                | PU CONVEYING HOSES                 | 1   |
| 10. | 3/83×245               | FAN                                | 1   |
| 11. | SC-M5×8L               | SOCKET CAP SCREW                   | 4   |
| 12. | WS-Ø5                  | SPRING WASHER                      | 4   |
| 13. | WF-Ø5                  | FLAT WASHER                        | 4   |
| 14. | M4-C190-02             | OLD COOLER                         | 1   |
| 15. | PT1/4" × Ø10           | BRASS ADAPTER                      | 1   |
| 16. | PT3/8"×1/2" ADAPTER    | 90° ADAPTER                        | 3   |
| 17. | 245×260                | STRAINER                           | 1   |
| 18. | M4-C191-01             | OLD COOLER COVER                   | 1   |
| 19. | SB-M5×8L               | HEX SOCKET BUTTON HEAD SCREW       | 12  |
| 20. | M4-C192-02             | OLD COOLER COVER                   | 1   |
| 21. | PT1/2" × Ø10           | 90° BRASS ADAPTER                  | 2   |
| 22. | 10A                    | 10 A TERMINAL                      | 1   |
| 23. | 1/4HP                  | COOLANT PUMP                       | 1   |
| 24. | SC-M6×16L              | SOCKET CAP SCREW                   | 4   |
| 25. | WS-Ø6                  | SPRING WASHER                      | 4   |
| 26. | WF-Ø6                  | FLAT WASHER                        | 4   |
| 27. | Ø1/2"×380L             | STAINLESS STEEL CONVEYING HOSES    | 1   |
| 28. | PT1/2"×PT1/2"          | WATER CONNECTION                   | 1   |
| 29. | PT1/2"(in)             | TRIPLE HEADED CONNECTION           | 1   |
| 30. | PT1/2"(out)×PT1/4"(in) | BRASS ADAPTER                      | 1   |
| 31. | PMM-10A-14K            | PRESSURE SWITCH                    | 1   |
| 32. | SC-M8×10L              | SOCKET CAP SCREW                   | 2   |
| 33. | WF-Ø8                  | FLAT WASHER                        | 2   |

# 10.5 TABLE ASSEMBLY

## 10.5.1 TABLE ASSEMBLY DRAWING

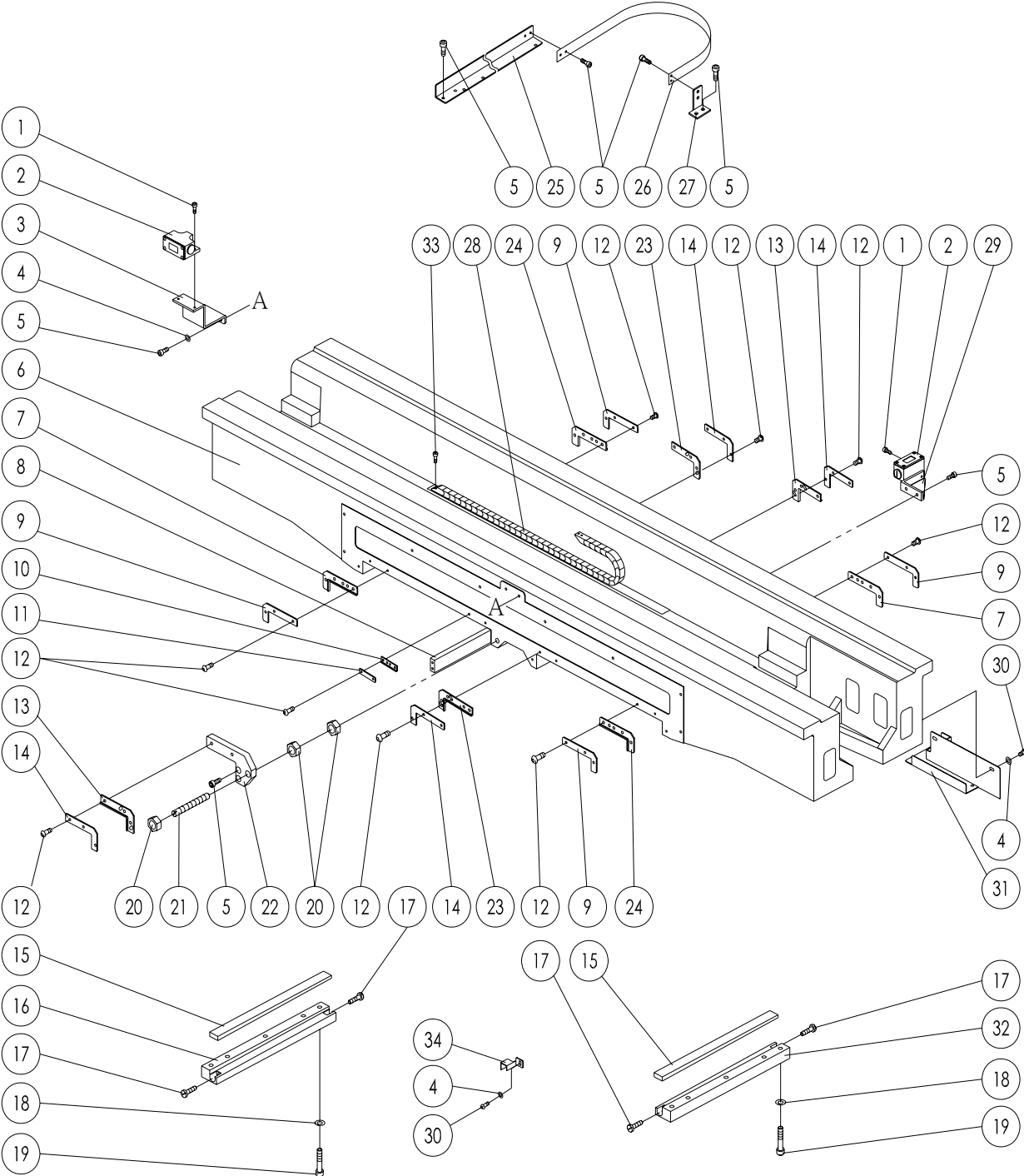


## 10.5.2 TABLE ASSEMBLY PART LIST

| NO. | PART NO.   | DESCRIPTION                  | QTY |
|-----|------------|------------------------------|-----|
| 1.  | HN-M10     | NUT                          | 18  |
| 2.  | B6-X046-00 | GIB SCREW                    | 6   |
| 3.  | SC-M6×16L  | SOCKET CAP SCREW             | 12  |
| 4.  | V5-XB47-00 | RIGHT GIB ADJUSTING PLATE    | 2   |
| 5.  | A6-XB64-K0 | WIPER HOLDER                 | 4   |
| 6.  | A6-X070-00 | WIPER                        | 4   |
| 7.  | 5M-X059-L1 | LEFT WIPER COVER             | 1   |
| 8.  | WF-Ø6      | FLAT WASHER                  | 12  |
| 9.  | SB-M6×12L  | HEX SOCKET BUTTON HEAD SCREW | 28  |
| 10. | A6-XB48-00 | WORK TABLE GIB               | 2   |
| 11. | V6-Z024-00 | GIB                          | 4   |
| 12. | 5M-X081-00 | WORK TABLE COVER             | 1   |
| 13. | 5M-X059-R1 | RIGHT WIPER COVER            | 1   |
| 14. | V5-XB77-00 | LEFT GIB ADJUSTING PLATE     | 4   |
| 15. | M5-XB68-00 | WIPER HOLDER                 | 4   |
| 16. | M5-XB69-00 | WIPER                        | 4   |
| 17. | WS-Ø10     | SPRING WASHER                | 20  |
| 18. | SC-M10×40L | SOCKET CAP SCREW             | 20  |
| 19. | M4-XB67-L0 | SLICING RAIL (LEFT)          | 1   |
| 20. | M4-XB67-R0 | SLICING RAIL (RIGHT)         | 1   |
| 21. | 5M-X001-02 | WORK TABLE                   | 1   |
| 22. | M4-X016-00 | DOG                          | 3   |
| 23. | WF-Ø5      | FLAT WASHER                  | 6   |
| 24. | SC-M5×20L  | SOCKET CAP SCREW             | 6   |
| 25. | 5E-X020-00 | LIMIT SWITCH COVER           | 1   |
| 26. | 5M-X058-L1 | WIPER COVER (LEFT)           | 1   |
| 27. | M4-XB66-L0 | SLICING RAIL (LEFT)          | 1   |
| 28. | M4-XB66-R0 | SLICING RAIL (RIGHT)         | 1   |
| 29. | 5M-X058-R1 | WIPER COVER (RIGHT)          | 1   |
| 30. | SC-M6×75L  | SOCKET CAP SCREW             | 4   |
| 31. | 5M-X080-00 | WORK TABLE COVER             | 1   |
| 32. | WS-Ø6      | SPRING WASHER                | 12  |
| 33. | SB-M6×10L  | HEX SOCKET BUTTON HEAD SCREW | 7   |

10.6 SADDLE ASSEMBLY

10.6.1 SADDLE ASSEMBLY DRAWING

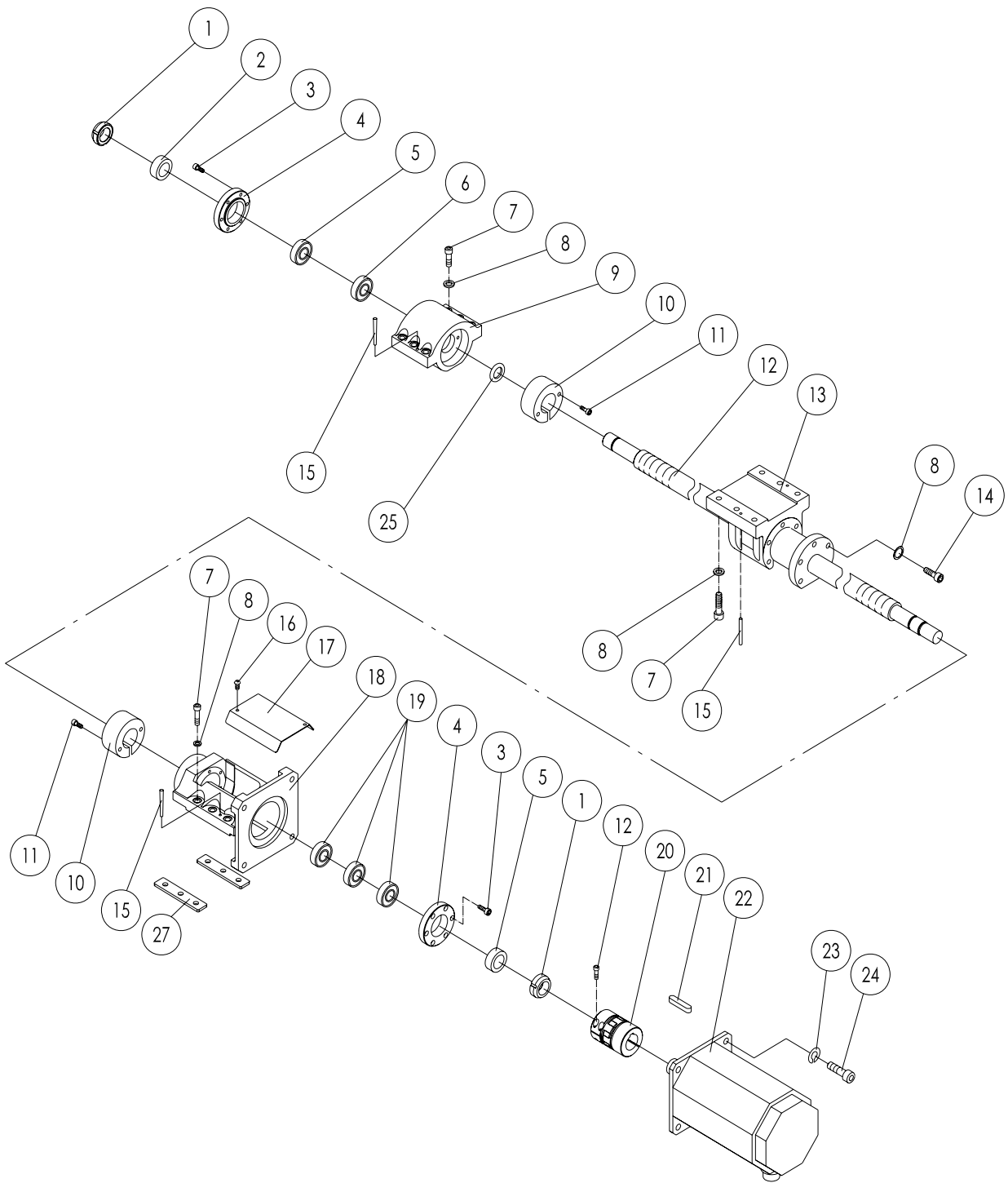


## 10.6.2 SADDLE ASSEMBLY PART LIST

| NO. | PART NO.         | DESCRIPTION                  | QTY |
|-----|------------------|------------------------------|-----|
| 1.  | SC-M5x16L        | SOCKET CAP SCREW             | 4   |
| 2.  | SND2D12-502C1688 | LIMIT SWITCH                 | 2   |
| 3.  | 5M-X015-01       | LIMITS WITCH BASE            | 1   |
| 4.  | WF-Ø6            | FLAT WASHER                  | 5   |
| 5.  | SC-M6x16L        | SOCKET CAP SCREW             | 15  |
| 6.  | 5M-X002-02       | SADDLE                       | 1   |
| 7.  | M5-Y050-L0       | WIPER                        | 2   |
| 8.  | M5-Z024-00       | GIB                          | 1   |
| 9.  | M5-Y051-00       | WIPER HOLDER                 | 4   |
| 10. | M6-Y058-00       | WIPER                        | 1   |
| 11. | M6-Y066-00       | WIPER HOLDER                 | 1   |
| 12. | SB-M5x16L        | HEX SOCKET BUTTON HEAD SCREW | 27  |
| 13. | M6-Y052-01       | WIPER                        | 2   |
| 14. | M6-Y055-01       | WIPER HOLDER                 | 4   |
| 15. | V6-Z024-00       | GIB                          | 2   |
| 16. | M5-C115-00       | SADDLE SLICING RAIL (LEFT)   | 1   |
| 17. | K2-C041-00       | GIB SCREW                    | 4   |
| 18. | WS-Ø10           | SPRING WASHER                | 10  |
| 19. | SC-M10x40L       | SOCKET CAP SCREW             | 10  |
| 20. | HN-M12           | NUT                          | 3   |
| 21. | M6-X046-00       | GIB SCREW                    | 1   |
| 22. | M6-Y077-00       | GIB ADJUSTING PLATE          | 1   |
| 23. | M6-Y053-01       | WIPER                        | 2   |
| 24. | M5-Y050-R0       | WIPER                        | 2   |
| 25. | V6-Y086-00       | PIPE SUPPORTER               | 1   |
| 26. | V6-Y088-00       | COMPRESS SPRING              | 1   |
| 27. | M4-Y087-00       | COMPRESS SPRING BRACKET      | 1   |
| 28. | 63目              | OIL TUBING FLEXIBLE CARRIER  | 1   |
| 29. | M4-Y075-00       | Y AXIS LIMITS WITCH BASE     | 1   |
| 30. | SB-M6x10L        | HEX SOCKET BUTTON HEAD SCREW | 3   |
| 31. | 5M-X045-00       | TUBE COVER                   | 1   |
| 32. | M5-C116-00       | DEPRESSOR                    | 1   |
| 33. | SF-M4x10L        | SOCKET FLAT SCREW            | 2   |
| 34. | M4-X075-00       | BRACKET SUPPORTER BASE       | 1   |

# 10.7 X AXIS ASSEMBLY

## 10.7.1 X AXIS ASSEMBLY DRAWING

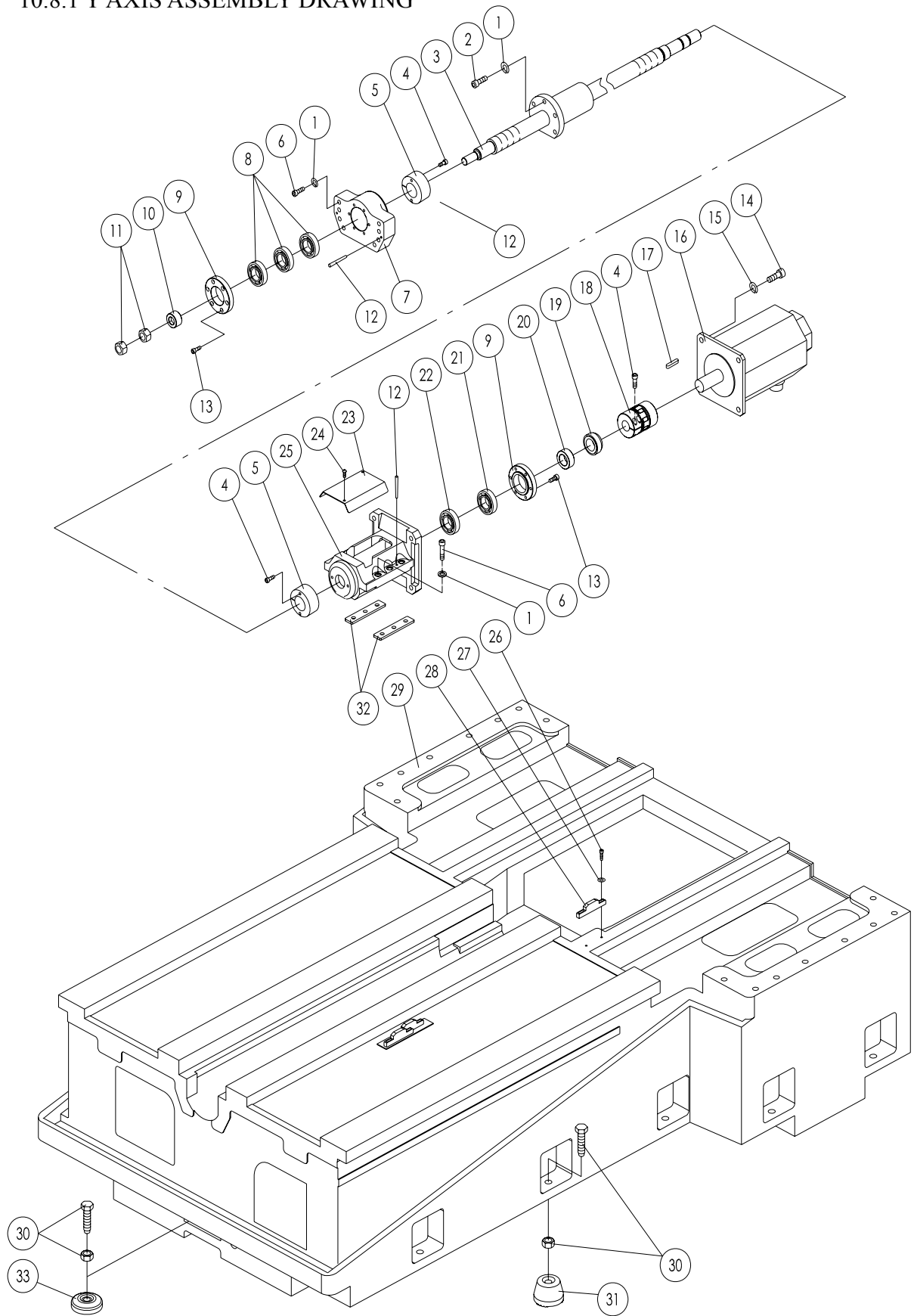


## 10.7.2 X AXIS ASSEMBLY PART LIST

| NO.   | PART NO.         | DESCRIPTION  | QTY |
|-------|------------------|--|-----|
| 1.    | 4M-Y035-00       | LOCK NUT   | 2   |
| 2.    | 4M-X026-00       | BEARING SPACER   | 2   |
| 3.    | SC-M6×20L        | SOCKET CAP SCREW                                       | 12  |
| 4.    | 4M-X009-01       | BEARING CAP  | 2   |
| 5.    | 30205            | BEARING  | 1   |
| 6.    | 6206ZZ           | BEARING  | 1   |
| 7.    | SC-M10×45L       | SOCKET CAP SCREW                                       | 18  |
| 8.    | WS-Ø10           | SPRING WASHER  | 23  |
| 9.    | 5M-XA05-01       | BEARING BRACKET  | 1   |
| 10.   | M5-X085-L1       | PROTECTION BLOCK                                       | 2   |
| 11.   | SC-M6×25L        | SOCKET CAP SCREW                                       | 8   |
| 12.   | 5M-X017-00       | X AXIS BALL SCREW                                      | 1   |
| 13.   | 5E-X003-01       | FEED NUT BRACKET                                       | 1   |
| 14.   | SC-M10×30L       | SOCKET CAP SCREW                                       | 5   |
| 15.   | TP-#4×38L        | TAPER PIN  | 6   |
| 16.   | SB-M4×10L        | HEX SOCKET BUTTON HEAD SCREW                           | 4   |
| 17.   | 5M-X007-00       | MOTOR COVER  | 1   |
| 18.   | 5M-X005-02       | BEARING BRACKET  | 1   |
| 19.   | 3062             | BEARING  | 3   |
| 20.   | 4M-X054-P1       | COUPLING (MITSUBISHI 3.5KW、MITSUBISHI FOR M2000 3.5KW) | 1   |
| 20-1. | 4M-X054-F0       | COUPLING (FANUC)                                       | 1   |
| 21.   | KY-8×7×25L       | KYE  | 1   |
| 22.   | HA200N(B)S-3.5KW | SERVO MOTOR (MITSUBISHI)                               | 1   |
| 22-1. | HC-SFS352-3.5KW  | SERVO MOTOR (MITSUBISHI FOR M2000)                     | 1   |
| 22-2. | α22/3000i        | SERVO MOTOR (FANUC)                                    | 1   |
| 23.   | WS-Ø12           | SPRING WASHER  | 4   |
| 24.   | SC-M12×25L       | SOCKET CAP SCREW                                       | 4   |
| 25.   | TC-30×40×7       | O RING   | 1   |
| 27.   | 5M-X004-R0       | BEARING BRACKET PLATE                                  | 2   |

## 10.8 Y AXIS ASSEMBLY

### 10.8.1 Y AXIS ASSEMBLY DRAWING

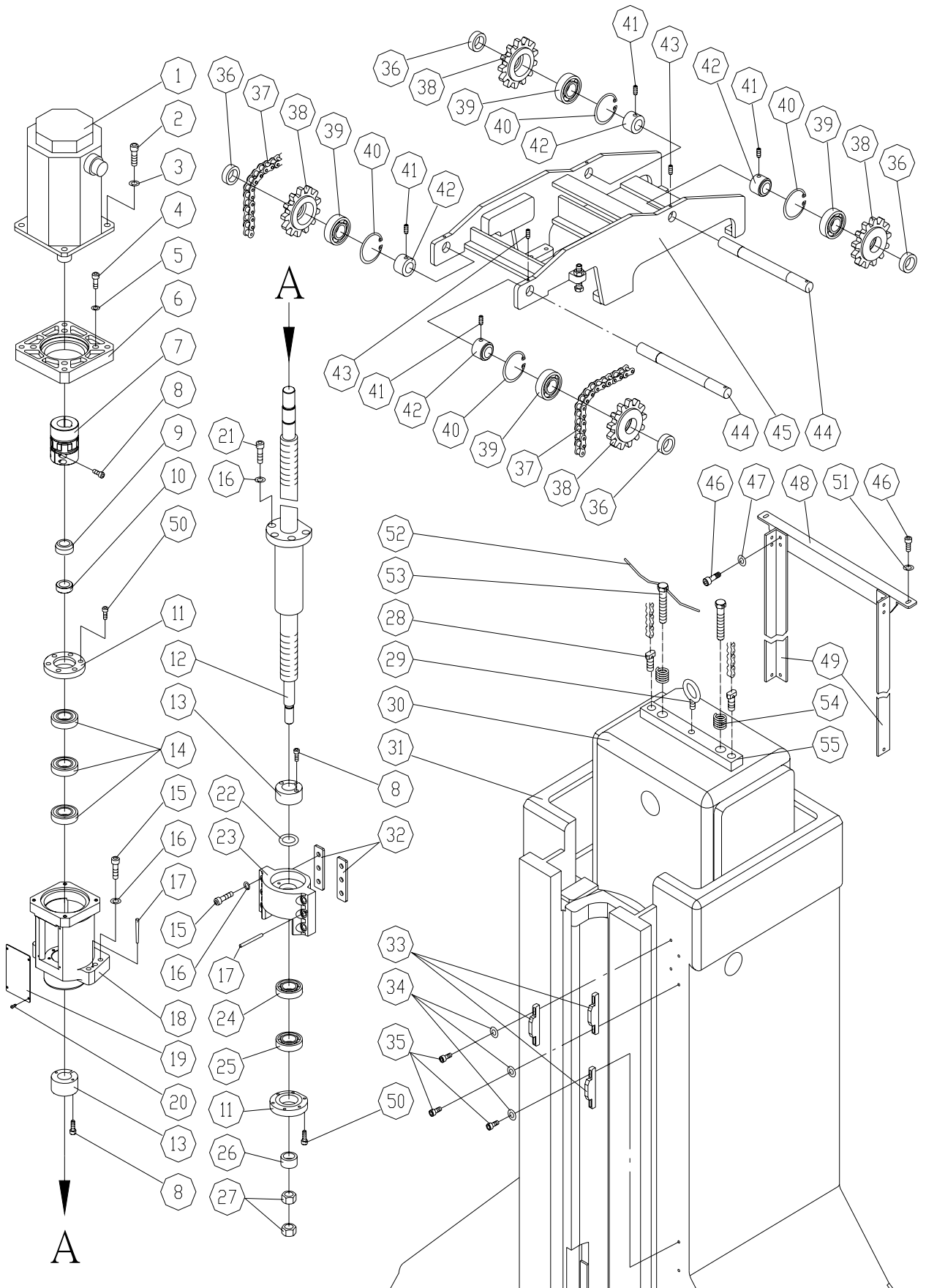


## 10.8.2 Y AXIS ASSEMBLY PART LIST

| NO.   | PART NO.         | DESCRIPTION  | QTY |
|-------|------------------|--|-----|
| 1.    | WS-Ø10           | SPRING WASHER  | 19  |
| 2.    | SC-M10×30L       | SOCKET CAP SCREW                                       | 5   |
| 3.    | 5M-Y000-00       | Y AXIS BALL SCREW                                      | 1   |
| 4.    | SC-M6x25L        | SOCKET CAP SCREW                                       | 8   |
| 5.    | M5-X085-L1       | PROTECTION BLOCK                                       | 2   |
| 6.    | SC-M10×45L       | SOCKET CAP SCREW                                       | 14  |
| 7.    | M6-Z001-01       | Z AXIS BEARING BRACKET                                 | 1   |
| 8.    | 3062             | BEARING  | 3   |
| 9.    | 4M-X009-01       | BEARING CAP  | 2   |
| 10.   | M5-YA09-01       | BEARING SPACER   | 1   |
| 11.   | B8-Y035-00       | M20 NUT  | 2   |
| 12.   | TP-#4×38L        | TAPER PIN  | 4   |
| 13.   | SC-M6×20L        | SOCKET CAP SCREW                                       | 12  |
| 14.   | SC-M12×25L       | SOCKET CAP SCREW                                       | 4   |
| 15.   | WS-Ø12           | SPRING WASHER  | 4   |
| 16.   | HA200N(B)S-3.5KW | SERVO MOTOR (MITSUBISHI)                               | 1   |
| 16-1. | HC-SFS352-3.5KW  | SERVO MOTOR (MITSUBISHI FOR M2000)                     | 1   |
| 16-2. | α22/3000i        | SERVO MOTOR (FANUC)                                    | 1   |
| 17.   | KY-8×7×25        | KYE  | 1   |
| 18.   | 4M-X054-P1       | COUPLING (MITSUBISHI 3.5KW、MITSUBISHI FOR M2000 3.5KW) | 1   |
| 18-1. | 4M-X054-F0       | COUPLING (FANUC)                                       | 1   |
| 19.   | 4M-Y035-00       | LOCK NUT   | 1   |
| 20.   | 4M-X026-00       | BEARING SPACER   | 1   |
| 21.   | 30206            | BEARING  | 1   |
| 22.   | 6206ZZ           | BEARING  | 1   |
| 23.   | 5M-X007-00       | MOTOR COVER  | 1   |
| 24.   | SB-M4×10L        | HEX SOCKET BUTTON HEAD SCREW                           | 2   |
| 25.   | 5M-YA05-02       | BEARING BRACKET  | 1   |
| 26.   | SC-M5×20L        | SOCKET CAP SCREW                                       | 6   |
| 27.   | WS-Ø5            | SPRING WASHER  | 6   |
| 28.   | M4-X016-00       | DOG  | 3   |
| 29.   | 5M-A000-01       | BASE   | 1   |
| 30.   | 4M-C100-00       | SCREW  | 11  |
| 31.   | 4M-C099-01       | BASE BLOCK   | 10  |
| 32.   | 5M-X004-R0       | BEARING BRACKET PLATE                                  | 2   |
| 33.   | 5M-C099-00       | BASE BLOCK   | 1   |

# 10.9 Z AXIS ASSEMBLY

## 10.9.1 Z AXIS ASSEMBLY DRAWING

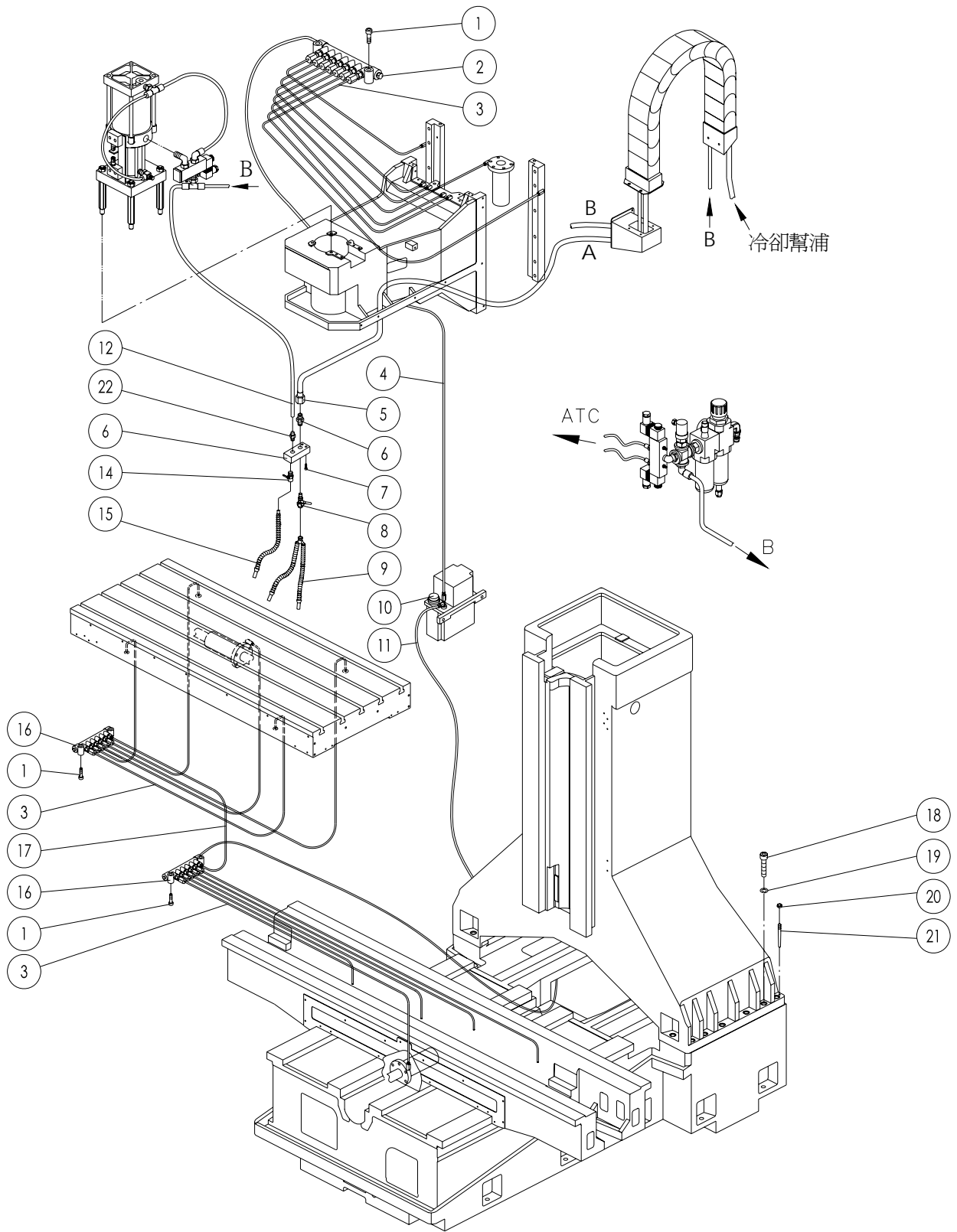


## 10.9.2 Z AXIS ASSEMBLY PART LIST

| NO.  | PART NO.         | DESCRIPTION  | QTY |
|------|------------------|--|-----|
| 1.   | HA200N(B)S-3.5KW | SERVO MOTOR (MITSUBISHI)                                 | 1   |
| 1-1. | HC-SFS352-3.5KW  | SERVO MOTOR (MITSUBISHI FOR M2000)                       | 1   |
| 1-2. | α22/3000i        | SERVO MOTOR (FANUC)                                      | 1   |
| 2.   | SC-M12×25L       | SOCKET CAP SCREW   | 4   |
| 3.   | WS-Ø12           | SPRING WASHER  | 4   |
| 4.   | SC-M8×25L        | SOCKET CAP SCREW   | 4   |
| 5.   | WS-Ø8            | SPRING WASHER  | 4   |
| 6.   | 4M-X025-01       | MOTOR BASE   | 1   |
| 7.   | 4M-X054-P1       | COUPLING (MITSUBISHI 3.5KW · MITSUBISHI FOR M2000 3.5KW) | 1   |
| 7-1. | 4M-X054-F0       | COUPLING (FANUC)   | 1   |
| 8.   | SC-M6×25L        | SOCKET CAP SCREW   | 8   |
| 9.   | 4M-Y035-00       | LOCK NUT   | 1   |
| 10.  | 4M-X026-00       | BEARING SPACER   | 1   |
| 11.  | 4M-X009-01       | BEARING CAP  | 2   |
| 12.  | 5M-Z000-00       | Z AXIS BALL SCREW  | 1   |
| 13.  | M5-X085-L1       | PROTECTION BLOCK   | 2   |
| 14.  | 3062             | BEARING  | 3   |
| 15.  | SC-M10×45L       | SOCKET CAP SCREW   | 12  |
| 16.  | WS-Ø10           | SPRING WASHER  | 17  |
| 17.  | TP-#4×38L        | TAPER PIN  | 4   |
| 18.  | 4M-Z005-02       | BEARING BRACKET  | 1   |
| 19.  | 3M-X007-00       | MOTOR COVER  | 1   |
| 20.  | SB-M4×8L         | HEX SOCKET BUTTON HEAD SCREW                             | 4   |
| 21.  | SC-M10×30L       | SOCKET CAP SCREW   | 5   |
| 22.  | TC-25×42×8       | O RING   | 1   |
| 23.  | 5M-XA05-01       | BEARING BRACKET  | 1   |
| 24.  | 6206ZZ           | BEARING  | 1   |
| 25.  | 30205            | BEARING  | 1   |
| 26.  | M5-YA09-01       | BEARING SPACER   | 1   |
| 27.  | B8-Y035-00       | M20 NUT  | 2   |
| 28.  | M5-Z008-00       | BALANCING SCREW  | 2   |
| 29.  | HB-M12           | HOOK BOLT  | 1   |
| 30.  | 5M-A005-00       | BALANCING BLOCK  | 1   |
| 31.  | 5M-A001-00       | COLUMN   | 1   |
| 32.  | 5M-Z004-00       | BEARING BRACKET PLATE                                    | 2   |
| 33.  | M4-X016-00       | DOG  | 3   |
| 34.  | WF-Ø5            | FLAT WASHER  | 6   |
| 35.  | SC-M5×20L        | SOCKET CAP SCREW   | 6   |
| 36.  | 5M-Z039-00       | BEARING SPACER   | 4   |
| 37.  | SC-60            | CHAIN  | 2   |
| 38.  | M5-Z037-00       | BALANCING PULLEY   | 4   |
| 39.  | 6205ZZ           | BEARING  | 4   |
| 40.  | R-52             | SNAP RING  | 4   |
| 41.  | SS-M6×8L         | SOCKET SET SCREW   | 4   |
| 42.  | M5-Z056-00       | SPACER   | 4   |
| 43.  | SS-M6×15L        | SOCKET SET SCREW   | 2   |
| 44.  | 5M-Z038-00       | BALANCING PULLEY SHAFT                                   | 2   |
| 45.  | 5M-Z029-00       | Z AXIS BALANCING BASE                                    | 1   |
| 46.  | SC-M6×16L        | SOCKET CAP SCREW   | 8   |
| 47.  | WS-Ø6            | SPRING WASHER  | 8   |
| 48.  | 5M-Z083-00       | BALANCING BASE SUPPORTER                                 | 1   |
| 49.  | 5M-Z080-00       | BALANCING BASE SUPPORTER                                 | 1   |
| 50.  | SC-M6×20L        | SOCKET CAP SCREW   | 4   |
| 51.  | WF-Ø6            | FLAT WASHER  | 2   |
| 52.  | Ø4               | IRON WIRE  | 2   |
| 53.  | 4M-Z096-00       | SCREW  | 2   |
| 54.  | 4M-Z097-00       | COMPRESSION SPRING                                       | 2   |
| 55.  | 4M-Z095-00       | BALANCING BASE   | 1   |

# 10.10 TABLE GUARD COOLANT SYSTEM ASSEMBLY

## 10.10.1 TABLE GUARD COOLANT SYSTEM ASSEMBLY DRAWING

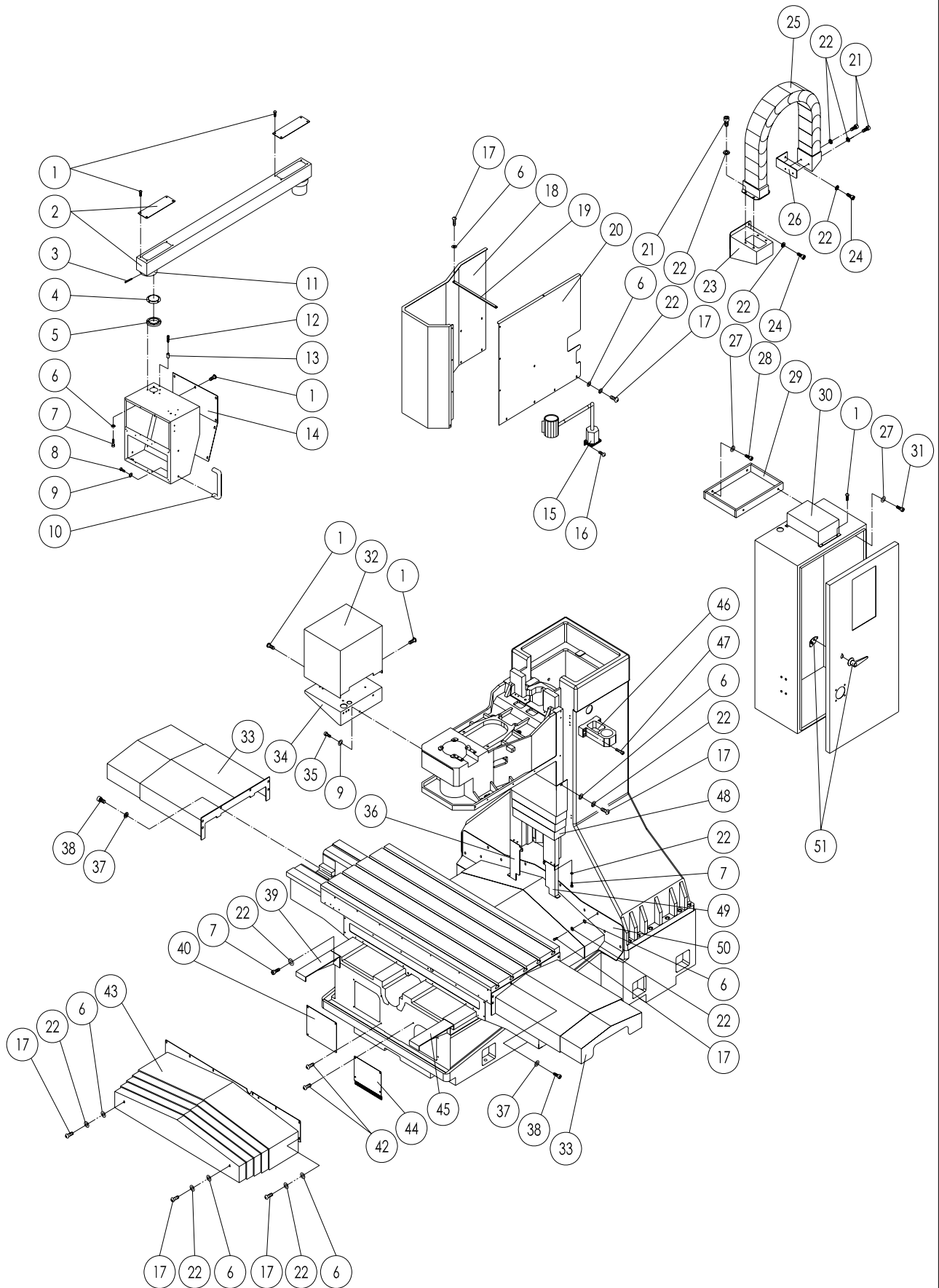


10.10.2 TABLE GUARD COOLANT SYSTEM ASSEMBLY PART LIST

| NO. | PART NO.            | DESCRIPTION                     | QTY |
|-----|---------------------|---------------------------------|-----|
| 1.  | SC-M6×25L           | SOCKET CAP SCREW                | 6   |
| 2.  | A9                  | OIL DISTRUBTE                   | 1   |
| 3.  | LT-Ø4               | LUBRICATION OIL TUBING          | 17  |
| 4.  | Ø4×1500L            | LUBRICATING STRING              | 1   |
| 5.  | PH1/2"×1800L        | STAINLESS STEEL CONVEYING HOSES | 1   |
| 6.  | PH1/2"×PT3/8"       | WATER CONNECTION                | 1   |
| 7.  | SC-M6×30L           | SOCKET CAP SCREW                | 2   |
| 8.  | 3/8"                | BALL VALVE                      | 1   |
| 9.  | 10½"                | COOLANT TUBE                    | 1   |
| 10. | CSEW                | ELECTRONIC LUBRICATION          | 1   |
| 11. | Ø4×4000L            | LUBRICATING STRING              | 1   |
| 12. | Ø8×800m             | STAINLESS STEEL CONVEYING HOSES | 1   |
| 13. | A6-Z045-00          | COOLANT TUBSE BRACKET           | 1   |
| 14. | 22MF(PT1/4"×PT1/4") | COCK                            | 1   |
| 15. | PT1/4"×17 球         | AIR TUBE                        | 1   |
| 16. | A8                  | OIL DISTRUBTE                   | 2   |
| 17. | Ø4×1500L            | WATER OIL TUBING                | 1   |
| 18. | SC-M16×70L          | SOCKET CAP SCREW                | 16  |
| 19. | WS-Ø16              | SPRING WASHER                   | 16  |
| 20. | HN-M6               | NUT                             | 2   |
| 21. | DF-6004-00          | GIB                             | 2   |
| 22. | JPC8-02             | LABORSAVING CONNECTION          | 1   |

# 10.11 TABLE GUARD SHEET METAL ASSEMBLY

## 10.11.1 TABLE GUARD SHEET METAL ASSEMBLY DRAWING

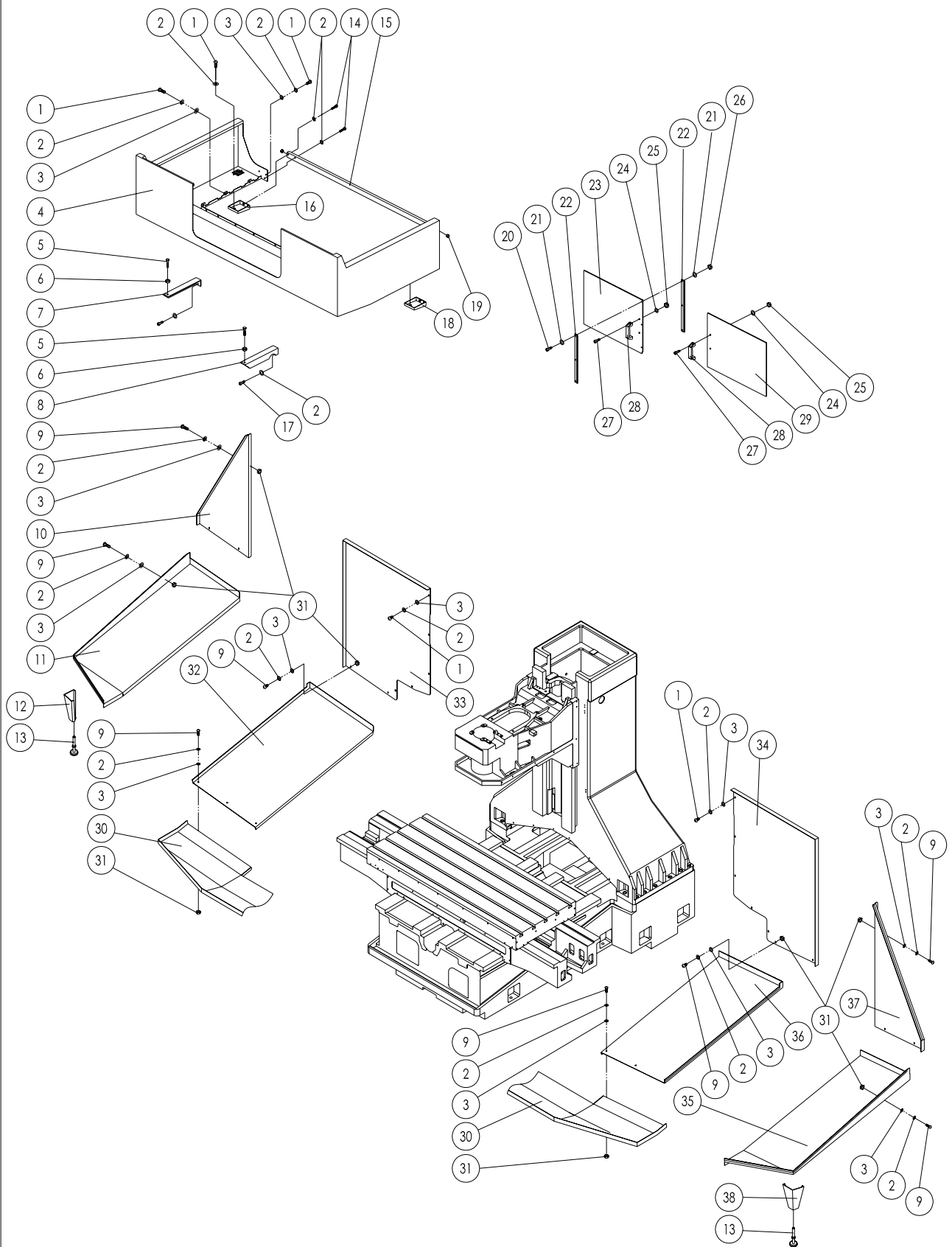


## 10.11.2 TABLE GUARD SHEET METAL ASSEMBLY PART LIST

| NO. | PART NO.             | DESCRIPTION                                    | QTY |
|-----|----------------------|--|-----|
| 1.  | SB-M5×10L            | HEX SOCKET BUTTON HEAD SCREW                   | 26  |
| 2.  | M5-C144-B0           | PENDANT ARM                                    | 1   |
| 3.  | Ø6x24L               | SPRING PIN                                     | 1   |
| 4.  | 6308                 | WASHER   | 1   |
| 5.  | B6-C157-00           | CONSOLE'S LINK                                 | 1   |
| 6.  | WF-Ø6                | FLAT WASHER                                    | 54  |
| 7.  | SC-M6×16L            | SOCKET CAP SCREW                               | 12  |
| 8.  | SC-M8×8L             | SOCKET CAP SCREW                               | 2   |
| 9.  | WF-Ø8                | FLAT WASHER                                    | 2   |
| 10. | B6-C149-00           | CONSOLE'S HANDLE                               | 1   |
| 11. | B6-C156-00           | CONSOLE'S LINK                                 | 1   |
| 12. | SC-M6x20L            | SOCKET CAP SCREW                               | 2   |
| 13. | V6-C151-00           | CONSOLE'S ANGLE FIXED LINK                     | 2   |
| 14. | V5-C146-02           | OPERATE CONSOLE                                | 1   |
| 15. | JW-55½RNTM(110V/24V) | WORK LAMP                                      | 1   |
| 16. | M4×16L               | SCREW  | 4   |
| 17. | SB-M6×12L            | HEX SOCKET BUTTON HEAD SCREW                   | 50  |
| 18. | 5M-A030-00           | HEAD COVER                                     | 1   |
| 19. | M5-A032-00           | HEAD COVER SUPPORTER                           | 1   |
| 20. | 5M-A031-00           | RIGHT HEAD COVER FLANK                         | 1   |
| 21. | SC-M6×8L             | SOCKET CAP SCREW                               | 6   |
| 22. | WS-Ø6                | SPRING WASHER                                  | 67  |
| 23. | M5-Z063-00           | BRACKET SUPPORTER BASE                         | 1   |
| 24. | SC-M6×12L            | SOCKET CAP SCREW                               | 5   |
| 25. | RC2×KR100×15 目×NO.6  | FLEXIBLE CARRIER                               | 1   |
| 26. | 5M-Z055-00           | POWER CHAIN BRACKET                            | 1   |
| 27. | WS-Ø10               | SPRING WASHER                                  | 4   |
| 28. | SC-M10×30L           | SOCKET CAP SCREW                               | 2   |
| 29. | V6-C152-00           | CABINET BRACKET                                | 1   |
| 30. | B6-C148-G5           | ELECTRIC BOX                                   | 1   |
| 31. | SC-M10×16L           | SOCKET CAP SCREW                               | 2   |
| 32. | 4M-C170-01           | CONVERTER BOX                                  | 1   |
| 33. | 5M-X013-00           | X AXIS TELESCOPING WAY COVER                   | 2   |
| 34. | 4M-C171-01           | CONVERTE SUPPORTER                             | 1   |
| 35. | SC-M8×20L            | SOCKET CAP SCREW                               | 2   |
| 36. | 5M-Z061-L0           | Z AXIS TELESCOPING WAY COVER SUPPORTER (LEFT)  | 1   |
| 37. | WS-Ø8                | SPRING WASHER                                  | 10  |
| 38. | SC-M8×16L            | SOCKET CAP SCREW                               | 10  |
| 39. | 5M-Y046-L1           | Y AXIS TELESCOPING WAY COVER SUPPORTER (LEFT)  | 1   |
| 40. | 5M-A007-00           | BASE FRONT COVER                               | 1   |
| 42. | SB-M6×10L            | HEX SOCKET BUTTON HEAD SCREW                   | 8   |
| 43. | 5M-Y045-01           | Y AXIS TELESCOPING WAY COVER (FRONT)           | 1   |
| 44. | 5M-A011-00           | BASE FRONT COVER (RIGHT)                       | 1   |
| 45. | 5M-Y046-R1           | Y AXIS TELESCOPING WAY COVER SUPPORTER (RIGHT) | 1   |
| 46. | B7-C141-00           | PENDANT ARM BRACKET                            | 1   |
| 47. | SC-M8×30L            | SOCKET CAP SCREW                               | 4   |
| 48. | 5M-Z060-00           | Z AXIS TELESCOPING WAY COVER                   | 1   |
| 49. | 5M-Z061-R0           | Z AXIS TELESCOPING WAY COVER SUPPORTER (RIGHT) | 1   |
| 50. | 5M-Y047-01           | Y AXIS TELESCOPING WAY COVER (REAR)            | 1   |
| 51. | A-45-A               | ELECTRIC BOX HANDLE (PLATE)                    | 1   |

## 10.12 TABLE GUARD ASSEMBLY

### 10.12.1 TABLE GUARD ASSEMBLY DRAWING

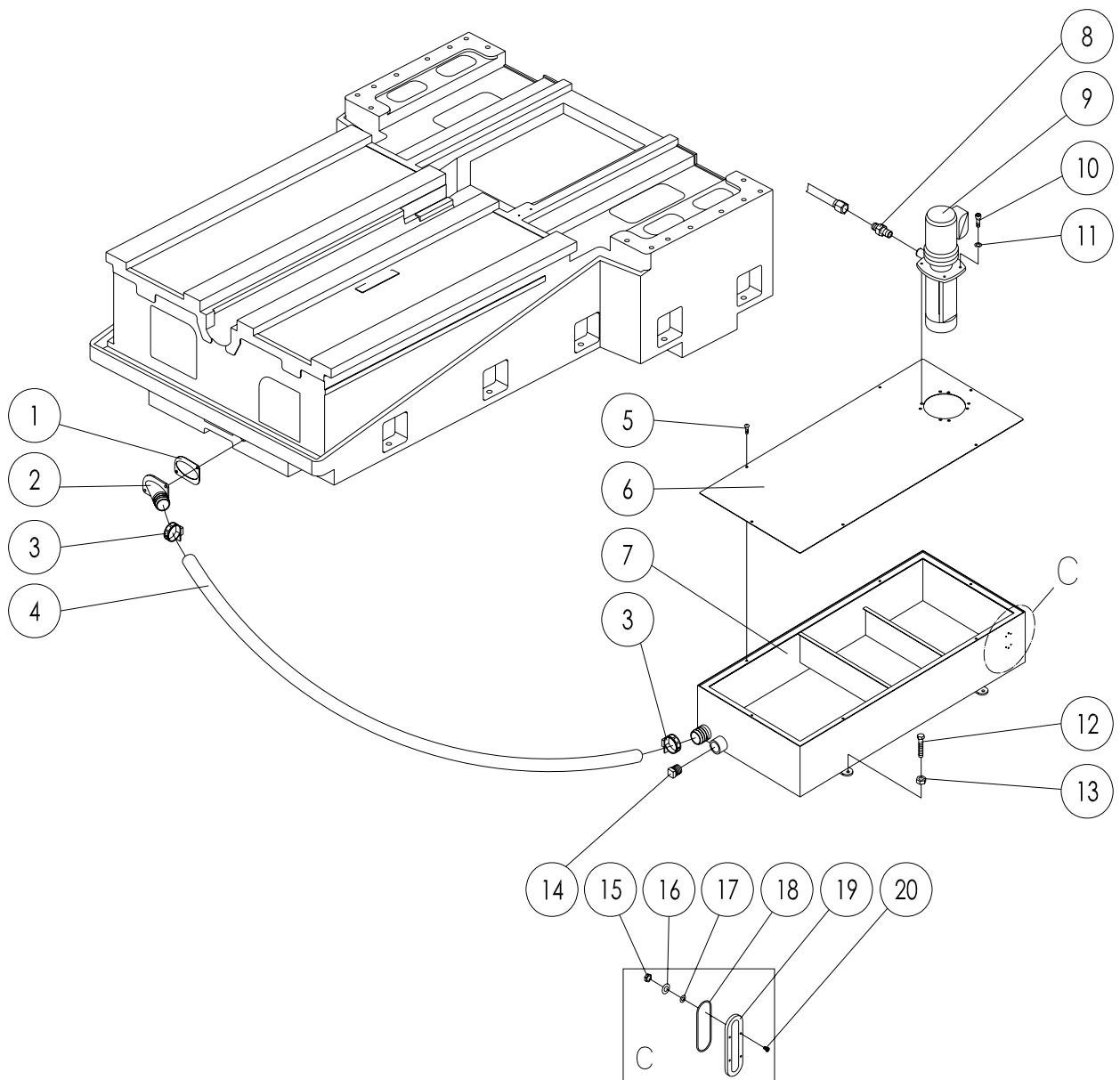


## 10.12.2 TABLE GUARD ASSEMBLY PART LIST

| NO. | PART NO.   | DESCRIPTION                   | QTY |
|-----|------------|-------------------------------|-----|
| 1.  | SC-M6x12L  | SOCKET CAP SCREW              | 29  |
| 2.  | WS-Ø6      | SPRING WASHER                 | 59  |
| 3.  | WF-Ø6      | FLAT WASHER                   | 47  |
| 4.  | 5M-C160-00 | TABLE GUARD                   | 1   |
| 5.  | B6-C168-00 | SUPPORTER SCREW               | 2   |
| 6.  | HN-M10     | NUT                           | 2   |
| 7.  | B6-C167-L1 | TABLE GUARD SUPPORTER (LEFT)  | 1   |
| 8.  | B6-C167-R1 | TABLE GUARD SUPPORTER (RIGHT) | 1   |
| 9.  | SB-M6x16L  | HEX SOCKET BUTTON HEAD SCREW  | 22  |
| 10. | M5-A116-L0 | LEFT SPLASH GUARD             | 1   |
| 11. | M5-A121-L0 | LEFT WATER TRAY               | 1   |
| 12. | M5-A122-L0 | WATER TANK SUPPORTER (LEFT)   | 1   |
| 13. | A6-A054-00 | FULL ENCLOSURE BEAR BASAL     | 2   |
| 14. | SC-M6x30L  | SOCKET CAP SCREW              | 4   |
| 15. | 5E-X060-00 | CONDUCTING TUBING             | 1   |
| 16. | M5-C165-L1 | WORK TABLE WATER TANK (LEFT)  | 1   |
| 17. | SC-M6x16L  | SOCKET CAP SCREW              | 4   |
| 18. | M5-C165-R1 | WORK TABLE WATER TANK (RIGHT) | 1   |
| 19. | CF-6028-00 | COVER                         | 2   |
| 20. | SC-M5x16L  | SOCKET CAP SCREW              | 3   |
| 21. | WF-Ø5      | FLAT WASHER                   | 6   |
| 22. | M5-C163-00 | PLASTIC SUPPORTER             | 2   |
| 23. | M5-C161-01 | LEFT ACRYLIC SHEET            | 1   |
| 24. | WF-Ø8      | FLAT WASHER                   | 4   |
| 25. | HN-M8      | NUT                           | 4   |
| 26. | HN-M5      | NUT                           | 3   |
| 27. | SC-M8x20L  | SOCKET CAP SCREW              | 4   |
| 28. | B6-C164-00 | DOOR HANDLE                   | 2   |
| 29. | M5-C162-01 | RIGHT ACRYLIC SHEET           | 1   |
| 30. | M5-A120-F0 | FRONT WATER TRAY              | 1   |
| 31. | HN-M6      | NUT                           | 22  |
| 32. | M5-A120-L0 | LEFT WATER TRAY               | 1   |
| 33. | M5-A115-L0 | LEFT SPLASH GUARD             | 1   |
| 34. | M5-A115-R0 | RIGHT SPLASH GUARD            | 1   |
| 35. | M5-A121-R0 | RIGHT WATER TRAY              | 1   |
| 36. | M5-A120-R0 | RIGHT WATER TRAY              | 1   |
| 37. | M5-A116-R0 | RIGHT SPLASH GUARD            | 1   |
| 38. | M5-A122-R0 | WATER TANK SUPPORTER (RIGHT)  | 1   |

# 10.13 TABLE GUARD COOLANT TANK ASSEMBLY

## 10.13.1 TABLE GUARD COOLANT TANK ASSEMBLY DRAWING

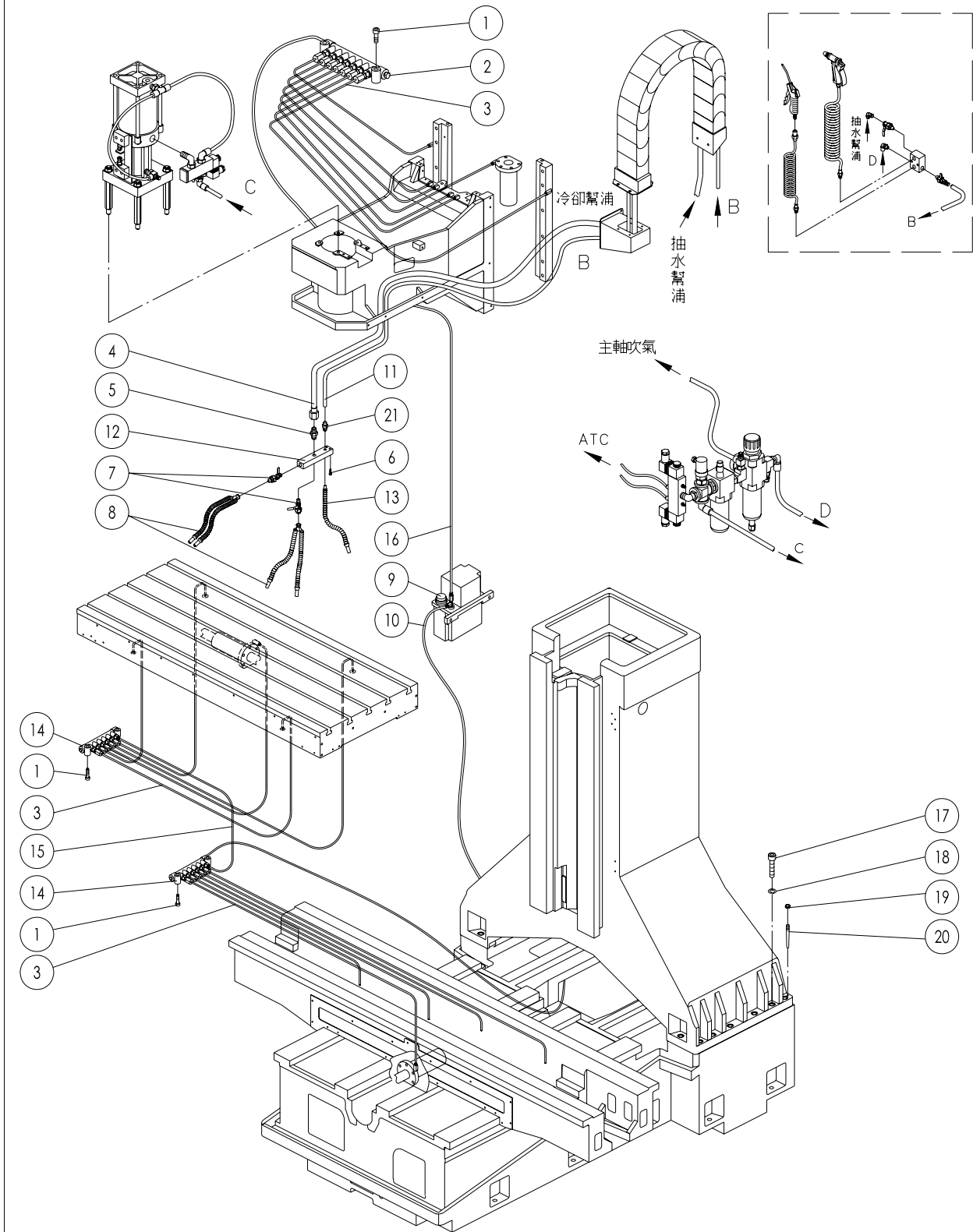


### 10.13.2 TABLE GUARD COOLANT TANK ASSEMBLY PART LIST

| NO. | PART NO.      | DESCRIPTION                  | QTY |
|-----|---------------|------------------------------|-----|
| 1.  | M4-A076-00    | PLASTIC PACKING              | 1   |
| 2.  | M4-A075-00    | CONNECTION                   | 1   |
| 3.  | Ø2¼"          | BIND TUBE                    | 2   |
| 4.  | Ø2"           | WATER PIPE                   | 1   |
| 5.  | SB-M6×12L     | HEX SOCKET BUTTON HEAD SCREW | 6   |
| 6.  | 5M-A061-00    | COOLANT TANK COVER           | 1   |
| 7.  | 5M-A060-00    | COOLANT TANK                 | 1   |
| 8.  | PH1/2"×PT1/4" | WATER CONNECTION             | 1   |
| 9.  | MTA3-180      | PUMP                         | 1   |
| 10. | SC-M8×30L     | SOCKET CAP SCREW             | 4   |
| 11. | WF-Ø8         | FLAT WASHER                  | 4   |
| 12. | SH-M10×40L    | HEX. HEAD SCREW              | 4   |
| 13. | HN-M10        | NUT                          | 4   |
| 14. | PT1¼"         | PLUG                         | 1   |
| 15. | HN-M3         | NUT                          | 4   |
| 16. | WF-Ø3         | FLAT WASHER                  | 4   |
| 17. | O-RING -Ø3    | O-RING                       | 4   |
| 18. | O-RING -Ø55   | O-RING                       | 1   |
| 19. | CLA           | OIL LENS                     | 1   |
| 20. | SB-M3×16L     | HEX SOCKET BUTTON HEAD SCREW | 4   |

# 10.14 FULL ENCLOSURE COOLANT SYSTEM ASSEMBLY

## 10.14.1 FULL ENCLOSURE COOLANT SYSTEM ASSEMBLY DRAWING

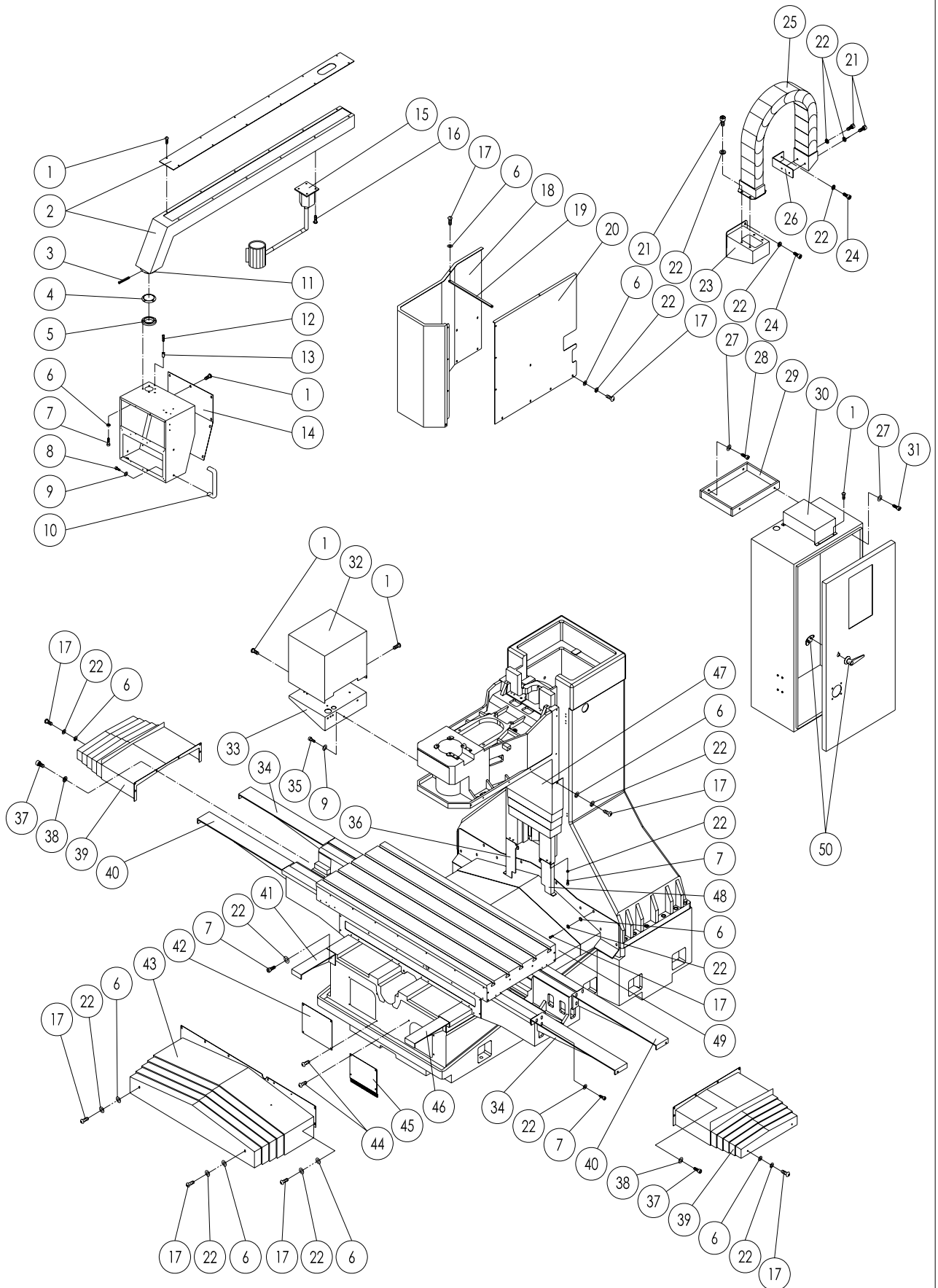


## 10.14.2 FULL ENCLOSURE COOLANT SYSTEM ASSEMBLY PART LIST

| NO. | PART NO.      | DESCRIPTION                     | QTY |
|-----|---------------|---------------------------------|-----|
| 1.  | SC-M6×25L     | SOCKET CAP SCREW                | 6   |
| 2.  | A9            | OIL DISTRUBTE                   | 1   |
| 3.  | LT-Ø4         | LUBRICATION OIL TUBING          | 17  |
| 4.  | PH1/2"×1800L  | STAINLESS STEEL CONVEYING HOSES | 1   |
| 5.  | PH1/2"×PT3/8" | WATER CONNECTION                | 1   |
| 6.  | SC-M6×30L     | SOCKET CAP SCREW                | 2   |
| 7.  | 3/8"          | BALL VALVE                      | 2   |
| 8.  | 10½"          | COOLANT TUBE                    | 2   |
| 9.  | CSEW          | ELECTRONIC LUBRICATION          | 1   |
| 10. | Ø4×4000L      | LUBRICATING STRING              | 1   |
| 11. | Ø8×5.5m       | STAINLESS STEEL CONVEYING HOSES | 1   |
| 12. | 4M-Z045-00    | COOLANT TUBSE BRACKET           | 1   |
| 13. | PT1/4"×17 球   | AIR TUBE                        | 1   |
| 14. | A8            | OIL DISTRUBTE                   | 2   |
| 15. | Ø4×1500L      | WATER OIL TUBING                | 1   |
| 16. | Ø4×1500L      | LUBRICATING STRING              | 1   |
| 17. | SC-M16×70L    | SOCKET CAP SCREW                | 16  |
| 18. | WS-Ø16        | SPRING WASHER                   | 16  |
| 19. | HN-M6         | NUT                             | 2   |
| 20. | DF-6004-00    | GIB                             | 2   |
| 21. | JPC8-02       | LABORSAVING CONNECTION          | 1   |

# 10.15 FULL ENCLOSURE SHEET METAL ASSEMBLY

## 10.15.1 FULL ENCLOSURE SHEET METAL ASSEMBLY DRAWING

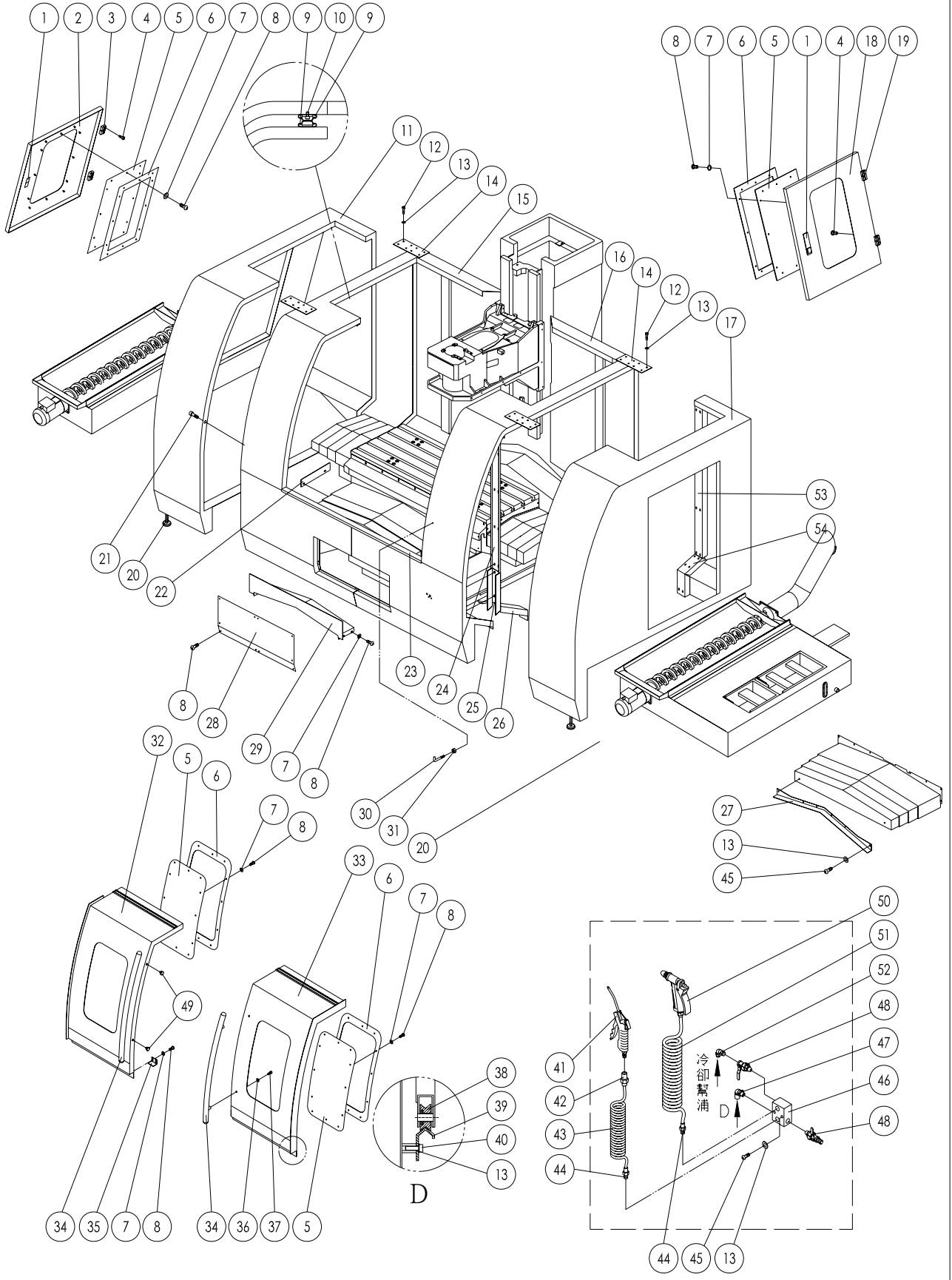


## 10.15.2 FULL ENCLOSURE SHEET METAL ASSEMBLY PART LIST

| NO. | PART NO.             | DESCRIPTION                                    | QTY |
|-----|----------------------|--|-----|
| 1.  | SB-M5x10L            | HEX SOCKET BUTTON HEAD SCREW                   | 30  |
| 2.  | 5M-C144-00           | CONSOLE SUPPORTER                              | 1   |
| 3.  | Ø6×24L               | SPRING PIN                                     | 1   |
| 4.  | 6308                 | WASHER   | 1   |
| 5.  | B6-C157-00           | CONSOLE'S LINK                                 | 1   |
| 6.  | WF-Ø6                | FLAT WASHER                                    | 58  |
| 7.  | SC-M6×16L            | SOCKET CAP SCREW                               | 24  |
| 8.  | SC-M8×8L             | SOCKET CAP SCREW                               | 2   |
| 9.  | WF-Ø8                | FLAT WASHER                                    | 2   |
| 10. | B6-C149-00           | CONSOLE'S HANDLE                               | 1   |
| 11. | B6-C156-00           | CONSOLE'S LINK                                 | 1   |
| 12. | SC-M6×20L            | SOCKET CAP SCREW                               | 2   |
| 13. | V6-C151-00           | CONSOLE'S ANGLE FIXED LINK                     | 2   |
| 14. | V5-C146-02           | OPERATE CONSOLE                                | 1   |
| 15. | JW-55½RNTM(110V/24V) | WORK LAMP                                      | 1   |
| 16. | M4×16L               | SCREW  | 4   |
| 17. | SB-M6x12L            | HEX SOCKET BUTTON HEAD SCREW                   | 54  |
| 18. | 5M-A030-00           | HEAD COVER                                     | 1   |
| 19. | M5-A032-00           | HEAD COVER SUPPORTER                           | 1   |
| 20. | 5M-A031-00           | RIGHT HEAD COVER FLANK                         | 1   |
| 21. | SC-M6×8L             | SOCKET CAP SCREW                               | 6   |
| 22. | WS-Ø6                | SPRING WASHER                                  | 83  |
| 23. | M5-Z063-00           | BRACKET SUPPORTER BASE                         | 1   |
| 24. | SC-M6×12L            | SOCKET CAP SCREW                               | 5   |
| 25. | RC2×KR100×15 目×NO.6  | FLEXIBLE CARRIER                               | 1   |
| 26. | 5M-Z055-00           | POWER CHAIN BRACKET                            | 1   |
| 27. | WF-Ø10               | FLAT WASHER                                    | 4   |
| 28. | SC-M10×30L           | SOCKET CAP SCREW                               | 2   |
| 29. | V6-C152-00           | CABINET BRACKET                                | 1   |
| 30. | B6-C148-G5           | ELECTRIC BOX                                   | 1   |
| 31. | SC-M10×16L           | SOCKET CAP SCREW                               | 2   |
| 32. | 4M-C170-01           | CONVERTER BOX                                  | 1   |
| 33. | 4M-C171-01           | CONVERTE SUPPORTER                             | 1   |
| 34. | 5M-XA14-L0           | X AXIS TELESCOPING WAY COVER SUPPORTER (LEFT)  | 1   |
| 35. | SC-M8×20L            | SOCKET CAP SCREW                               | 2   |
| 36. | 5M-Z061-L0           | Z AXIS TELESCOPING WAY COVER SUPPORTER (LEFT)  | 1   |
| 37. | SC-M8×16L            | SOCKET CAP SCREW                               | 8   |
| 38. | WS-Ø8                | SPRING WASHER                                  | 8   |
| 39. | 5M-XA13-00           | X AXIS TELESCOPING WAY COVER                   | 2   |
| 40. | 5M-XA14-R0           | X AXIS TELESCOPING WAY COVER SUPPORTER (RIGHT) | 1   |
| 41. | 5M-Y046-L1           | Y AXIS TELESCOPING WAY COVER SUPPORTER (LEFT)  | 1   |
| 42. | 5M-A007-00           | BASE FRONT COVER                               | 1   |
| 43. | 5M-Y045-01           | Y AXIS TELESCOPING WAY COVER (FRONT)           | 1   |
| 44. | SB-M6x10L            | HEX SOCKET BUTTON HEAD SCREW                   | 8   |
| 45. | 5M-A011-00           | BASE FRONT COVER (RIGHT)                       | 1   |
| 46. | 5M-Y046-R1           | Y AXIS TELESCOPING WAY COVER SUPPORTER (RIGHT) | 1   |
| 47. | 5M-Z060-00           | Z AXIS TELESCOPING WAY COVER                   | 1   |
| 48. | 5M-Z061-R0           | Z AXIS TELESCOPING WAY COVER SUPPORTER (RIGHT) | 1   |
| 49. | 5M-Y047-01           | Y AXIS TELESCOPING WAY COVER (REAR)            | 1   |
| 50. | A-45-A               | ELECTRIC BOX HANDLE (PLATE)                    | 1   |

# 10.16 FULL ENCLOSURE ASSEMBLY

## 10.16.1 FULL ENCLOSURE ASSEMBLY DRAWING

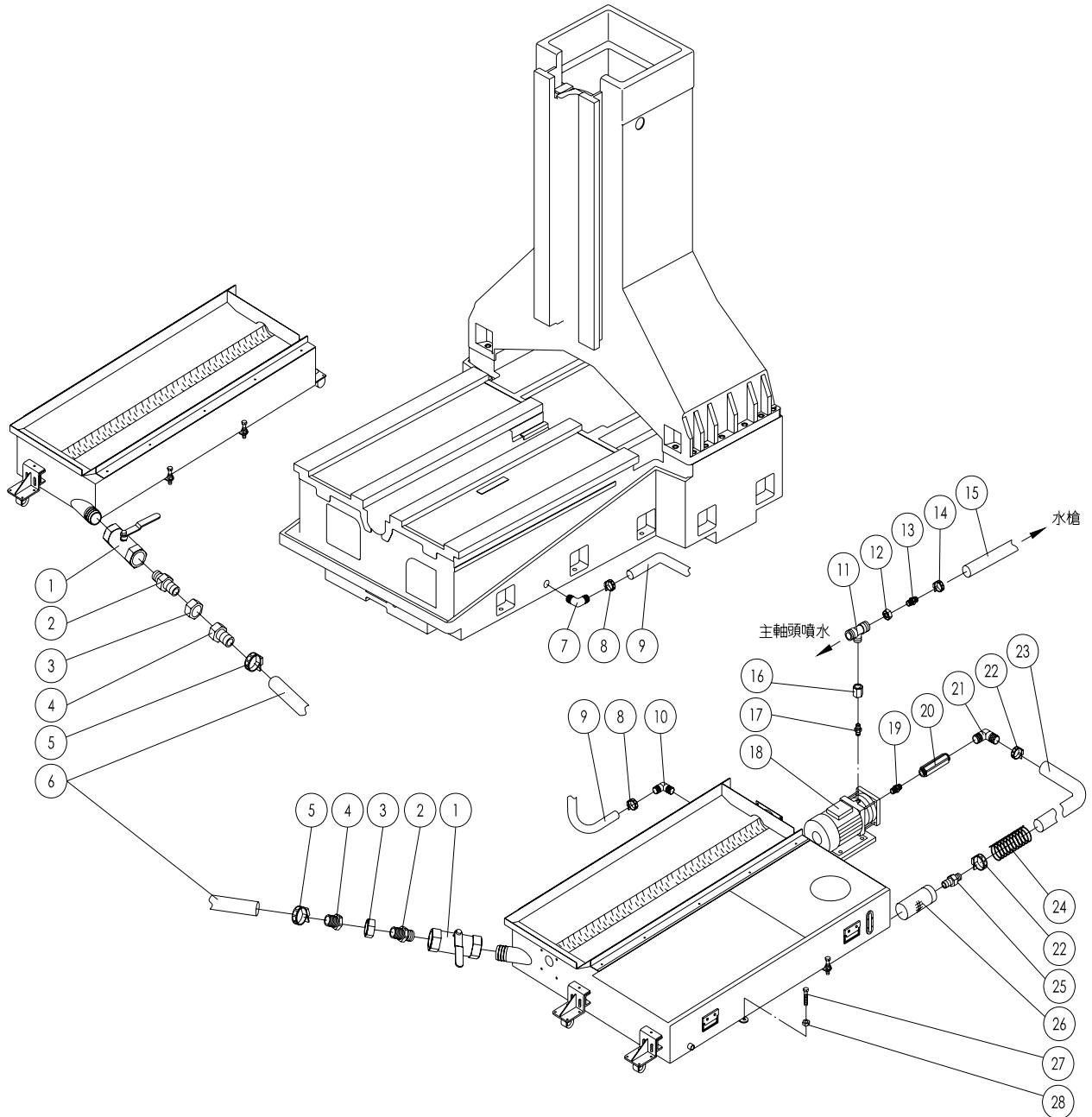


## 10.16.2 FULL ENCLOSURE ASSEMBLY PART LIST

| NO. | PART NO.     | DESCRIPTION                             | QTY |
|-----|--------------|---|-----|
| 1.  | 4M-A431-00   | HANDLE                                  | 2   |
| 2.  | 5M-A403-L0   | LEFT DOOR                               | 1   |
| 3.  | 4M-A432-L0   | DOOR HINGE (LEFT)                       | 2   |
| 4.  | SC-M5×8L     | SOCKET CAP SCREW                        | 16  |
| 5.  | V5-A052-00   | ACRYLIC SHEET                           | 4   |
| 6.  | 4M-A411-00   | LATTIC FOR ACRYLIC SHEET                | 4   |
| 7.  | WF-Ø5        | FLAT WASHER                             | 97  |
| 8.  | SB-M5×10L    | HEX SOCKET BUTTON HEAD SCREW            | 97  |
| 9.  | 5M-A433-00   | 24" BEELINE RAILWAY                     | 2   |
| 10. | SC-M4×8L     | SOCKET CAP SCREW                        | 6   |
| 11. | 5M-A401-L0   | LEFT GUARD                              | 1   |
| 12. | SC-M6×16L    | SOCKET CAP SCREW                        | 32  |
| 13. | WF-Ø6        | FLAT WASHER                             | 42  |
| 14. | 5M-A412-00   | GUARD SUPPORTER                         | 4   |
| 15. | 5M-A400-L0   | LEFT GUARD                              | 1   |
| 16. | 5M-A400-R0   | RIGHE GUARD                             | 1   |
| 17. | 5M-A401-R0   | RIGHE GUARD                             | 1   |
| 18. | 5M-A403-R0   | RIGHT DOOR                              | 1   |
| 19. | 5M-A432-R0   | DOOR HINGE (RIGHT)                      | 2   |
| 20. | A6-A054-00   | FULL ENCLOSURE BEAR BASAL               | 2   |
| 21. | SC-M8×16L    | SOCKET CAP SCREW                        | 40  |
| 22. | 4M-A421-00   | SPLASH COVER                            | 2   |
| 23. | 5M-A436-00   | FRONT AEGIS BASE                        | 1   |
| 24. | 4M-A414-00   | SPLASH COVER                            | 2   |
| 25. | 4M-A415-00   | SPLASH COVER                            | 2   |
| 26. | 4M-A416-00   | SPLASH COVER                            | 2   |
| 27. | 5M-A417-00   | SPLASH COVER                            | 1   |
| 28. | 5M-A435-00   | MAINTENANCE COVER                       | 1   |
| 29. | 5M-A413-00   | SPLASH COVER                            | 1   |
| 30. | A6-A050-00   | AIR RIFLE PENDANT ARM                   | 2   |
| 31. | HN-M6        | NUT                                     | 2   |
| 32. | 5M-A402-L0   | LEFT DOOR                               | 1   |
| 33. | 5M-A402-R0   | RIGHT DOOR                              | 1   |
| 34. | 4M-A438-00   | DOOR HANDLE                             | 2   |
| 35. | 4M-A439-00   | FRONT DOOR BAFFLE PLATE                 | 4   |
| 36. | WF-Ø8        | FLAT WASHER                             | 4   |
| 37. | SC-M8×8L     | SOCKET CAP SCREW                        | 4   |
| 38. | 4M-A440-00   | PULLEY BASE                             | 4   |
| 39. | 5L-A441-00   | DOOR RAILWAY                            | 2   |
| 40. | SC-M6×12L    | SOCKET CAP SCREW                        | 10  |
| 41. | KS-BU        | AIR GUN                                 | 1   |
| 42. | SH-30        | FAST CONNECTION                         | 1   |
| 43. | 0850-6M      | ELASTIC PIPE                            | 1   |
| 44. | A015         | BRASS ADAPTER                           | 2   |
| 45. | SB-M6×10L    | HEX SOCKET BUTTON HEAD SCREW            | 6   |
| 46. | 4M-A055-00   | STAINLESS STEEL CONVEYING HOSES BRACKET | 1   |
| 47. | PT1/4"       | LABORSAVING CONNECTION                  | 1   |
| 48. | PT1/4"       | BALL VALVE                              | 2   |
| 49. | 3 mm         | P.P BLOCK                               | 2   |
| 50. |              | WATER RIFLE                             | 1   |
| 51. | Ø12          | ELASTIC PIPE                            | 1   |
| 52. | Ø1/2"x1/4"PT | 90° ADAPTER                             | 1   |
| 53. | 5M-A422-00   | REAR SPLASH COVER (UPPER)               | 2   |
| 54. | 5M-A423-00   | REAR SPLASH COVER (DOWN)                | 2   |

# 10.17 FULL ENCLOSURE COOLANT TANK ASSEMBLY

## 10.17.1 FULL ENCLOSURE COOLANT TANK ASSEMBLY DRAWING



10.17.2 FULL ENCLOSURE COOLANT TANK ASSEMBLY PART LIST

| NO. | PART NO.             | DESCRIPTION              | QTY |
|-----|----------------------|--------------------------|-----|
| 1.  | PT2"                 | BALL VALVE               | 2   |
| 2.  | PT2"×PH2"            | WATER CONNECTION         | 2   |
| 3.  | HN-PH2"              | NUT                      | 2   |
| 4.  | ØPH2"                | ELBOR HOSE CONNECTOR     | 2   |
| 5.  | Ø2½"                 | BIND TUBE                | 2   |
| 6.  | Ø2"                  | WATER PIPE               | 1   |
| 7.  | PT1"× Ø1¼"           | 90° ADAPTER              | 1   |
| 8.  | Ø1¾"                 | BIND TUBE                | 2   |
| 9.  | Ø1¼"                 | WATER PIPE               | 1   |
| 10. | Ø1¼"                 | 90° ADAPTER              | 1   |
| 11. | PH1/2"×PT3/4"×PH1/2" | TRIPLE HEADED CONNECTION | 1   |
| 12. | HN-PH1/2"            | NUT                      | 1   |
| 13. | ØPH1/2"              | ELBOR HOSE CONNECTOR     | 1   |
| 14. | Ø¾"                  | BIND TUBE                | 1   |
| 15. | Ø½"                  | WATER PIPE               | 1   |
| 16. | PT1"×PT3/4"          | BRASS ADAPTER            | 1   |
| 17. | PT1"×PT1"            | WATER CONNECTION         | 1   |
| 18. | TPH-4T2K             | PUMP                     | 1   |
| 19. | PT1¼"×PT1½"          | WATER CONNECTION         | 1   |
| 20. | PT1½"                | CHECK VALVE              | 1   |
| 21. | PT½"× Ø2"            | 90° ADAPTER              | 1   |
| 22. | Ø2½"                 | BIND TUBE                | 2   |
| 23. | Ø2"                  | WATER PIPE               | 1   |
| 24. | Ø66×Ø74×Ø4×P10×500L  | COMPRESS SPRING          | 1   |
| 25. | PT2"×2"              | WATER CONNECTION         | 1   |
| 26. | MF-16(内牙 PT2")       | WATER FILTER NET         | 1   |
| 27. | SH-M10×40L           | HEX. HEAD SCREW          | 8   |
| 28. | HN-M10               | NUT                      | 8   |

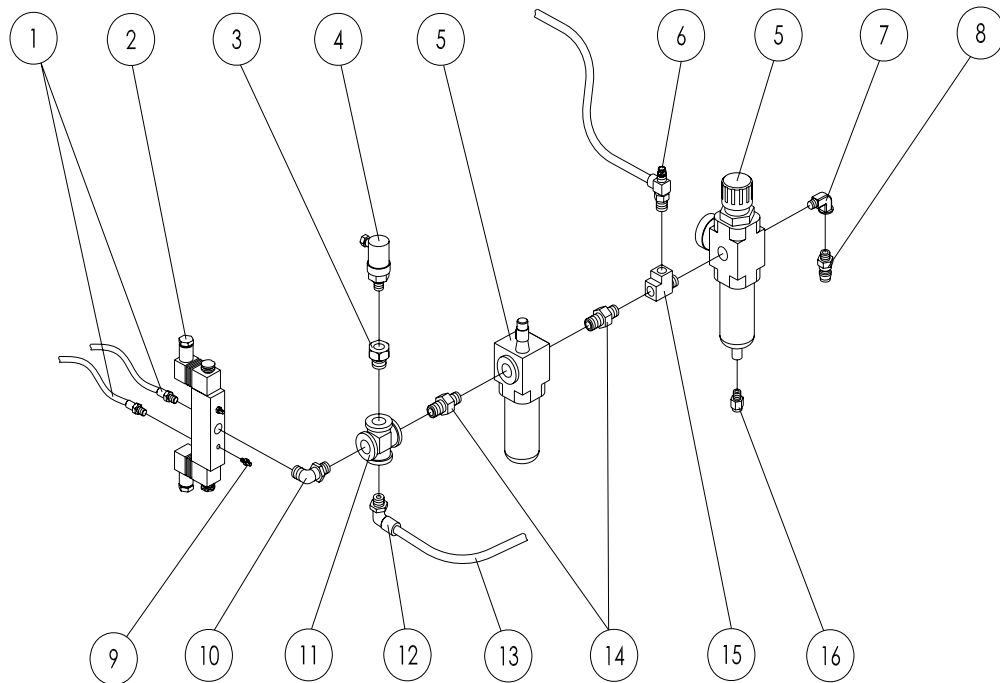


## 10.18.2 CHIP CONVEYOR & COOLANT THROUGH SPINDLE / C.T.S. PART LIST

| NO. | PART NO.       | DESCRIPTION                  | QTY |
|-----|----------------|------------------------------|-----|
| 1.  | 5M-A446-00     | SCREW TYPE CHIP CONVEYOR     | 1   |
| 2.  | 5M-B430-L0     | CHIP PLATE (LEFT)            | 1   |
| 3.  | SB-M5×10L      | HEX SOCKET BUTTON HEAD SCREW | 16  |
| 4.  | WF-Ø5          | FLAT WASHER                  | 16  |
| 5.  | SC-M8×20L      | SOCKET CAP SCREW             | 8   |
| 6.  | 1/4HP 90:1 Ø18 | BRAKE MOTOR                  | 2   |
| 7.  | 5M-A449-00     | BRAKE MOTOR BASE             | 2   |
| 8.  | 5M-B421-L0     | SUMP (LEFT)                  | 1   |
| 9.  | 5M-A447-00     | CHIP CONVEYOR PLATE          | 2   |
| 10. | WF-Ø6          | FLAT WASHER                  | 30  |
| 11. | SC-M6×16L      | SOCKET CAP SCREW             | 30  |
| 12. | 5M-A448-00     | CHIP CONVEYOR                | 2   |
| 13. | 5M-B421-R0     | SUMP (RIGHT)                 | 1   |
| 14. | TPH2T2K        | PUMP                         | 1   |
| 15. | 5M-B440-00     | SCRAP IRON CAR               | 1   |
| 16. | 4M-A443-00     | 3" CAST WHEEL                | 8   |
| 17. | 4M-A451-00     | 3" PLASTIC WHEEL             | 4   |
| 18. | HN-M3          | NUT                          | 4   |
| 19. | WF-Ø3          | FLAT WASHER                  | 4   |
| 20. | O-RING -Ø3     | O-RING                       | 4   |
| 21. | O-RING -Ø55    | O-RING                       | 1   |
| 22. | CLA            | OIL LENS                     | 1   |
| 23. | SB-M3×16L      | HEX SOCKET BUTTON HEAD SCREW | 4   |
| 24. | 5M-A452-00     | SUMP STRAINER                | 1   |
| 25. | 5M-A453-00     | SUMP STRAINER                | 1   |
| 26. | 5M-B430-R0     | CHIP PLATE (RIGHT)           | 1   |

10.19 AIR FILTER REGULATOR FOR TABLE GUARD W/- ATC & 8000RPM

10.19.1 AIR FILTER REGULATOR FOR TABLE GUARD W/- ATC & 8000RPM DRAWING

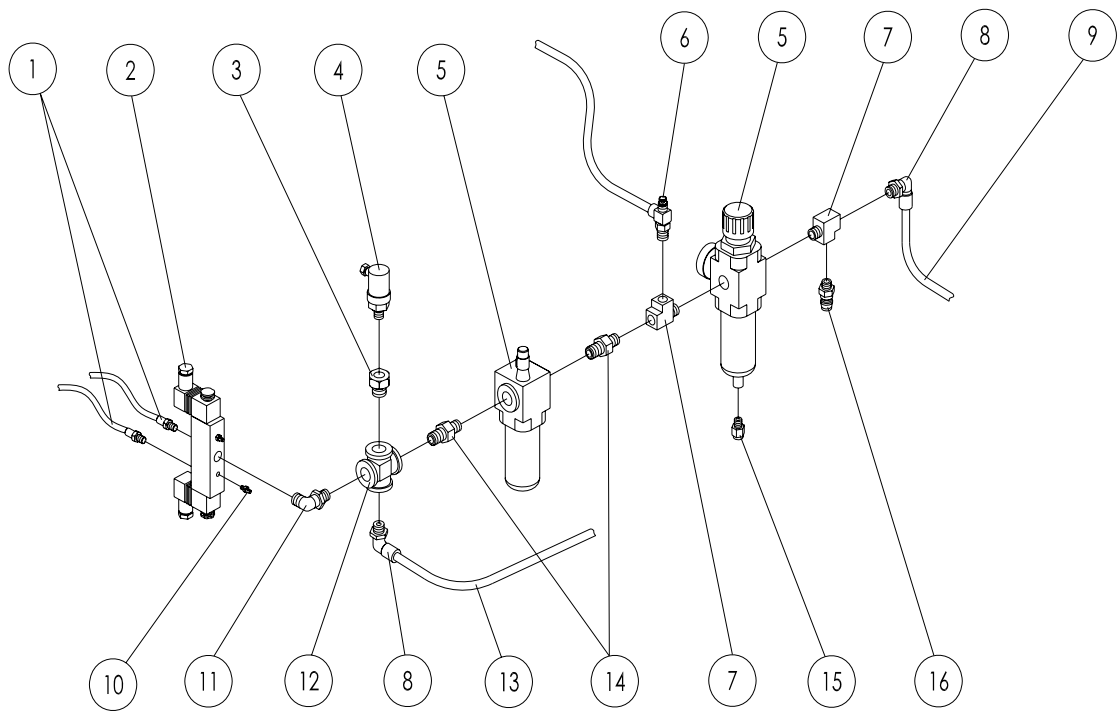


## 10.19.2 AIR FILTER REGULATOR FOR TABLE GUARD W/- ATC & 8000RPM PART LIST

| NO. | PART NO.            | DESCRIPTION                    | QTY |
|-----|---------------------|--------------------------------|-----|
| 1.  | 3175.08.13          | WATER CONNECTION               | 2   |
| 2.  | PHS520D-8           | SOLENOID VALVES                | 1   |
| 3.  | P045                | BRASS ADAPTER                  | 1   |
| 4.  | PMM-10A-14K         | PRESSURE SWITCH                | 1   |
| 5.  | AFR320-10-AD41      | AIR FILTER REGULATOR W/- METER | 1   |
| 6.  | JSC8-03             | STUD FITTING                   | 1   |
| 7.  | P082                | 90° BRASS ADAPTER              | 1   |
| 8.  | PM-30(A)            | BRASS ADAPTER                  | 1   |
| 9.  | AL-01               | SLIEVCERS                      | 2   |
| 10. | P074                | 90° BRASS ADAPTER              | 1   |
| 11. | P101                | BRASS ADAPTER                  | 1   |
| 12. | 3109.10.17          | STUD FITTING                   | 2   |
| 13. | Ø10×3.6m            | PU CONVEYING HOSES             | 1   |
| 14. | PT3/8"×PT3/8"(P013) | BRASS ADAPTER                  | 2   |
| 15. | P104                | BRASS ADAPTER                  | 1   |
| 16. | JPC8-01             | LABORSAVING CONNECTION         | 1   |

10.20 AIR FILTER REGULATOR FOR FULL ENCLOSURE W/- ATC & 8000RPM

10.20.1 AIR FILTER REGULATOR FOR FULL ENCLOSURE W/- ATC & 8000RPM DRAWING



10.20.2 AIR FILTER REGULATOR FOR FULL ENCLOSURE W/- ATC & 8000RPM PART LIST

| NO. | PART NO.            | DESCRIPTION                    | QTY |
|-----|---------------------|--------------------------------|-----|
| 1.  | 3175.08.13          | WATER CONNECTION               | 2   |
| 2.  | PHS520D-8           | SOLENOID VALVES                | 1   |
| 3.  | P045                | BRASS ADAPTER                  | 1   |
| 4.  | PMM-10A-14K         | PRESSURE SWITCH                | 1   |
| 5.  | AFR320-10-AD41      | AIR FILTER REGULATOR W/- METER | 1   |
| 6.  | JSC8-03             | STUD FITTING                   | 1   |
| 7.  | P104                | BRASS ADAPTER                  | 2   |
| 8.  | 3109.10.17          | STUD FITTING                   | 2   |
| 9.  | Ø10×4.5m            | PU CONVEYING HOSES             | 1   |
| 10. | SL-01               | SLIEVCERS                      | 2   |
| 11. | PT1/4"×PT1/4"(P075) | 90° BRASS ADAPTER              | 1   |
| 12. | P101                | BRASS ADAPTER                  | 1   |
| 13. | Ø10×3.5m            | PU CONVEYING HOSES             | 1   |
| 14. | PT3/8"×PT3/8"(P013) | BRASS ADAPTER                  | 2   |
| 15. | JPC8-01             | LABORSAVING CONNECTION         | 1   |
| 16. | PM-30(A)            | BRASS ADAPTER                  | 1   |