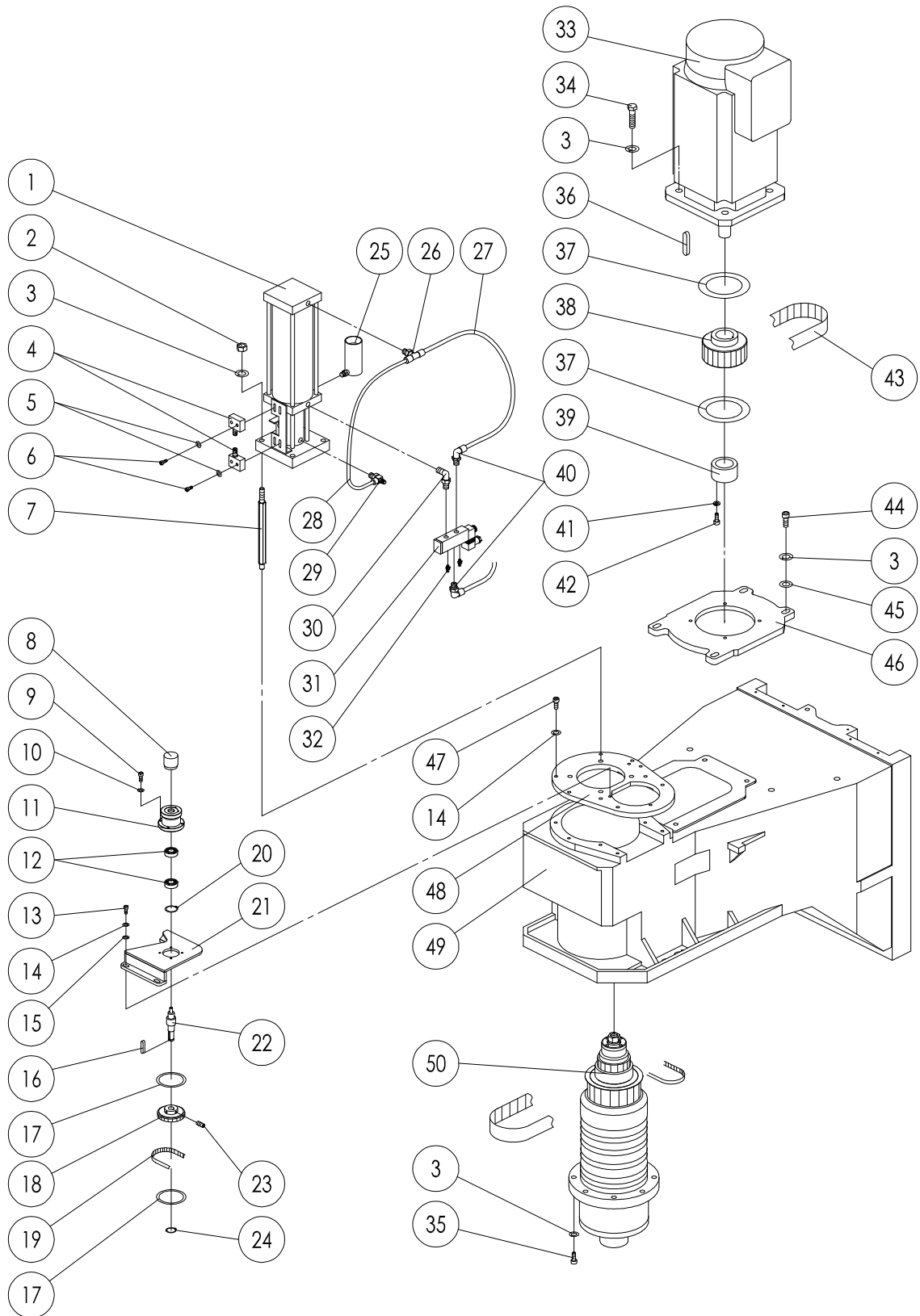


10. PART LISTS

10.1 ELEVATING ASSEMBLY (I)

10.1.1 ELEVATING ASSEMBLY DRAWING

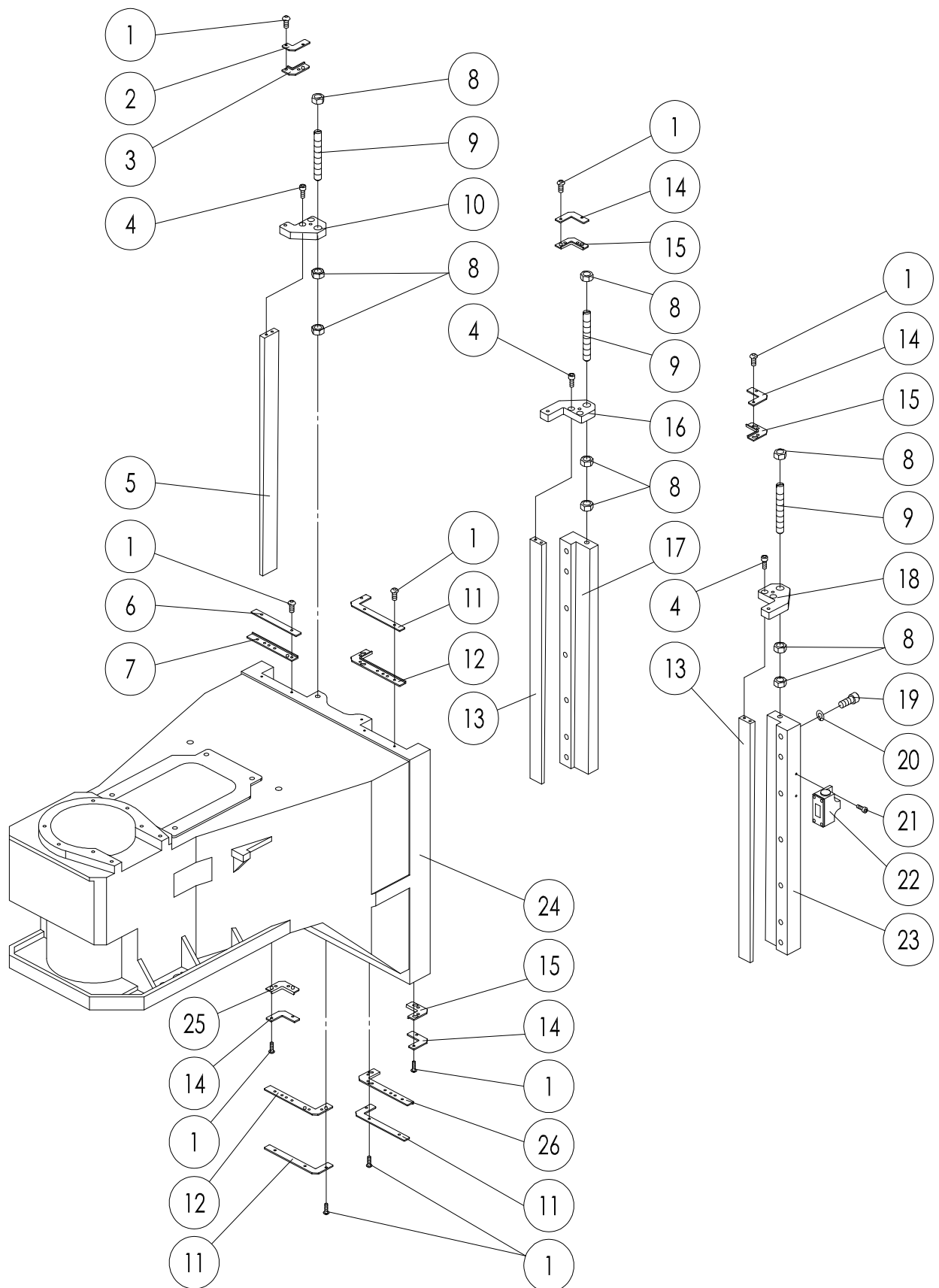


10.1.2 ELEVATING ASSEMBLY (I) PART LIST

NO.	PART NO.	DESCRIPTION	QTY
1.	5TON×15	PNEUMATIC BOOSTING CYLINDER	1
2.	HN-M12	HEX.NUT	4
3.	WS-Ø12	SPRING WASHER	18
4.	TZ7311	LIMIT SWITCH	2
5.	WF-Ø4	FLAT WASHER	4
6.	SC-M4×30L	SOCKET CAP SCREW	4
7.	M6-H046-00	LOCK BOLT	4
8.	LHE-408-1024	ENCODER	1
9.	SC-M5×20L	SOCKET CAP SCREW	4
10.	WS-Ø5	SPRING WASHER	4
11.	V7-H056-00	BEARING BRACKET	1
12.	6003LLB	BEARING	2
13.	SC-M8×20L	SOCKET CAP SCREW	4
14.	WS-Ø8	SPRING WASHER	12
15.	WF-Ø8	FLAT WASHER	4
16.	KY-5×5×25L	KEY	1
17.	V7-H062-00	SIDE RING	2
18.	V7-H061-00	ENCODER PULLEY	1
19.	8YU-680×10	49T : 49T ENCODER BELT	1
20.	SR-35	SNAP RING (FOR HOLD)	1
21.	M6-H057-00	ENCODER BRACKET	1
22.	B8-H058-00	ENCODER SHAFT	1
23.	SS-M5×6L	SOCKET SET SCREW	2
24.	SE-15	SNAP RING (FOR SHAFT)	1
25.	OIL CAP	OIL CAP	1
26.	PB12-03	LABORSAVING CONNECTION	1
27.	Ø12×400L	PU CONVEYING HOSES	1
28.	Ø12×500L	PU CONVEYING HOSES	1
29.	JDSC12-02B	ADJUSTING CONNECTION	1
30.	P076	BRASS ADAPTER	1
31.	PHS530S-10-110VD	SOLENOID VALVES	1
32.	SL-03	SLIEVCERS	2
33.	SJ-PF11-01Z	SPINDLE MOTOR (MITSUBISHI)	1
33-1.	25HP	SPINDLE MOTOR (CHERHG CHANG)	1
33-2.	SJ-15AZM	SPINDLE MOTOR (MITSUBISHI)	1
34.	SH-M12×30L	HEX. HEAD SCREW	4
35.	SC-M12×35L	SOCKET CAP SCREW	6
36.	KY-10×8×70L	KEY	1
37.	M6-H052-00	SIDE RING	2
38.	M6-H051-01	8YU HTD GEAR	1
39.	4M-H008-M1	LOCK BLOCK	1
40.	JPL12-03	LABORSAVING CONNECTION	2
41.	WS-Ø6	SPRING WASHER	6
42.	SC-M6×20L	SOCKET CAP SCREW	6
43.	600-5M×40L	48T : 64T SPINDLE HTD BELT	1
44.	SC-M12×40L	SOCKET CAP SCREW	4
45.	Ø12×Ø35×6	FLAT WASHER	4
46.	M6-H049-00	MOTOR BASE (15、20、25HP MITSUBISHI)	1
46-1.	M6-H049-A0	MOTOR BASE (25HP CHERHG CHANG)	1
47.	SC-M8×25L	SOCKET CAP SCREW	8
48.	M6-H045-00	PNEUMATIC BOOSTING CYLINDER HOLD BASE	1
49.	M6-A502-02	ELEVATING CASTING	1
50.	BT-#50	SPINDLE	1

10.2 ELEVATING ASSEMBLY (II)

10.2.1 ELEVATING ASSEMBLY DRAWING

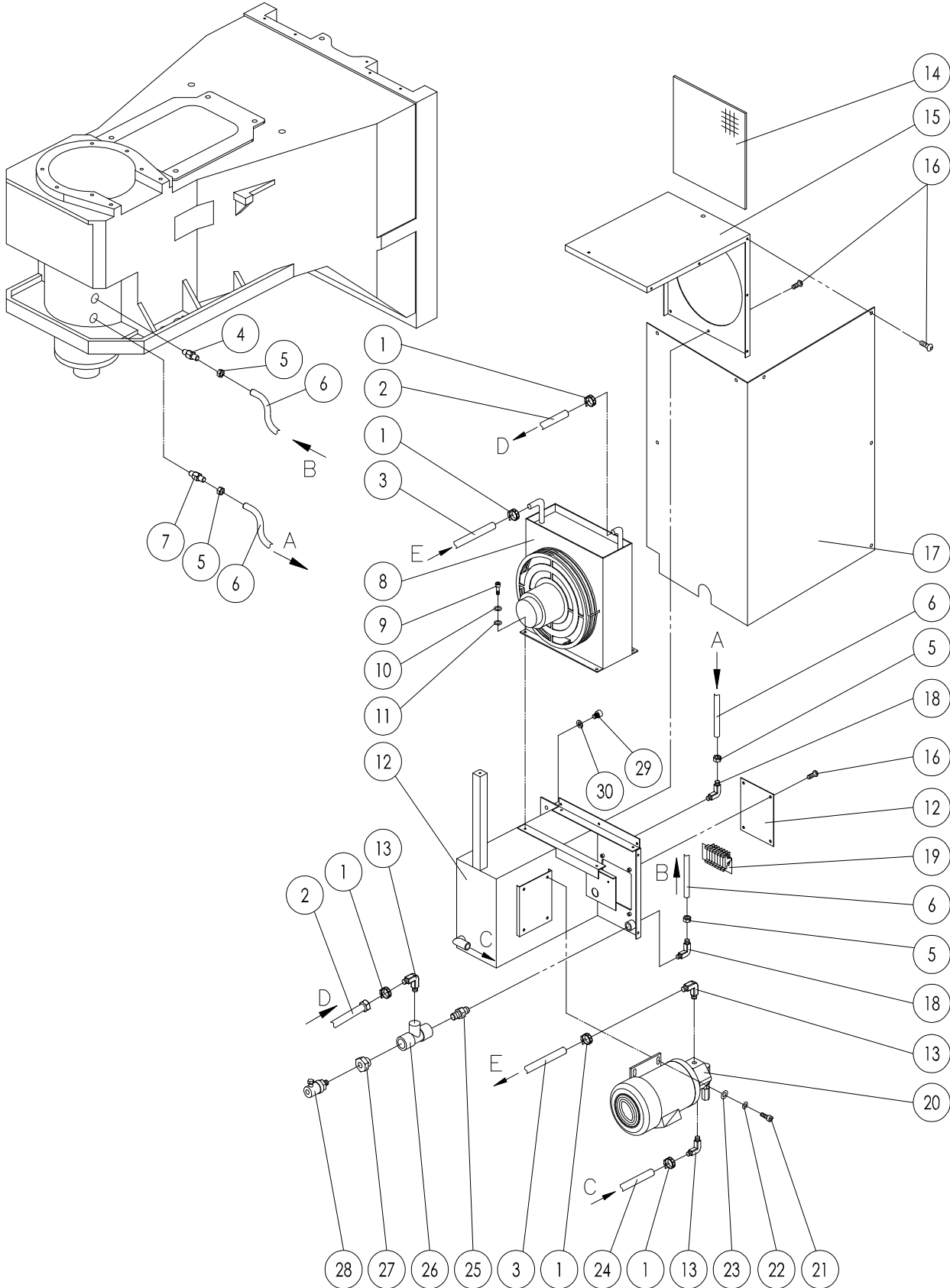


10.2.2 ELEVATING ASSEMBLY (II) PART LIST

NO.	PART NO.	DESCRIPTION	QTY
1.	SB-M5x12L	HEX SOCKET BUTTON HEAD SCREW	21
2.	M5-Z079-00	WIPER HOLDER	1
3.	M5-Z078-00	WIPER	1
4.	SC-M6x16L	SOCKET CAP SCREW	6
5.	M6-Z022-00	TAPER PIN	1
6.	M6-Z013-00	WIPER HOLDER	1
7.	M6-Z015-00	WIPER	1
8.	HN-M12	HEX.NUT	9
9.	M6-X046-00	GIB SCREW	3
10.	M5-Z077-01	GIB ADJUSTING PLATE	1
11.	M6-Z007-00	WIPER HOLDER	3
12.	M6-Z014-R0	WIPER	2
13.	M6-Z024-01	GIB	2
14.	M6-Z049-00	WIPER	4
15.	M6-Z048-L0	WIPER (LEFT)	3
16.	M6-Z047-L0	GIB ADJUSTING PLATE	1
17.	M6-Z010-01	DEPRESSOR (LEFT)	1
18.	M6-Z047-R0	GIB ADJUSTING PLATE	1
19.	SC-M12x45L	SOCKET CAP SCREW	14
20.	WS-Ø12	SPRING WASHER	14
21.	SC-M5x16L	SOCKET CAP SCREW	2
22.	SN02D12-502C1688	LIMIT SWITCH	1
23.	M6-Z011-01	DEPRESSOR (RIGHT)	1
24.	M6-A502-02	ELEVATING CASTING	1
25.	M6-Z048-R0	WIPER (RIGHT)	1
26.	M6-Z014-L0	WIPER	1

10.3 OLD COOLER ASSEMBLY

10.3.1 OLD COOLER ASSEMBLY DRAWING

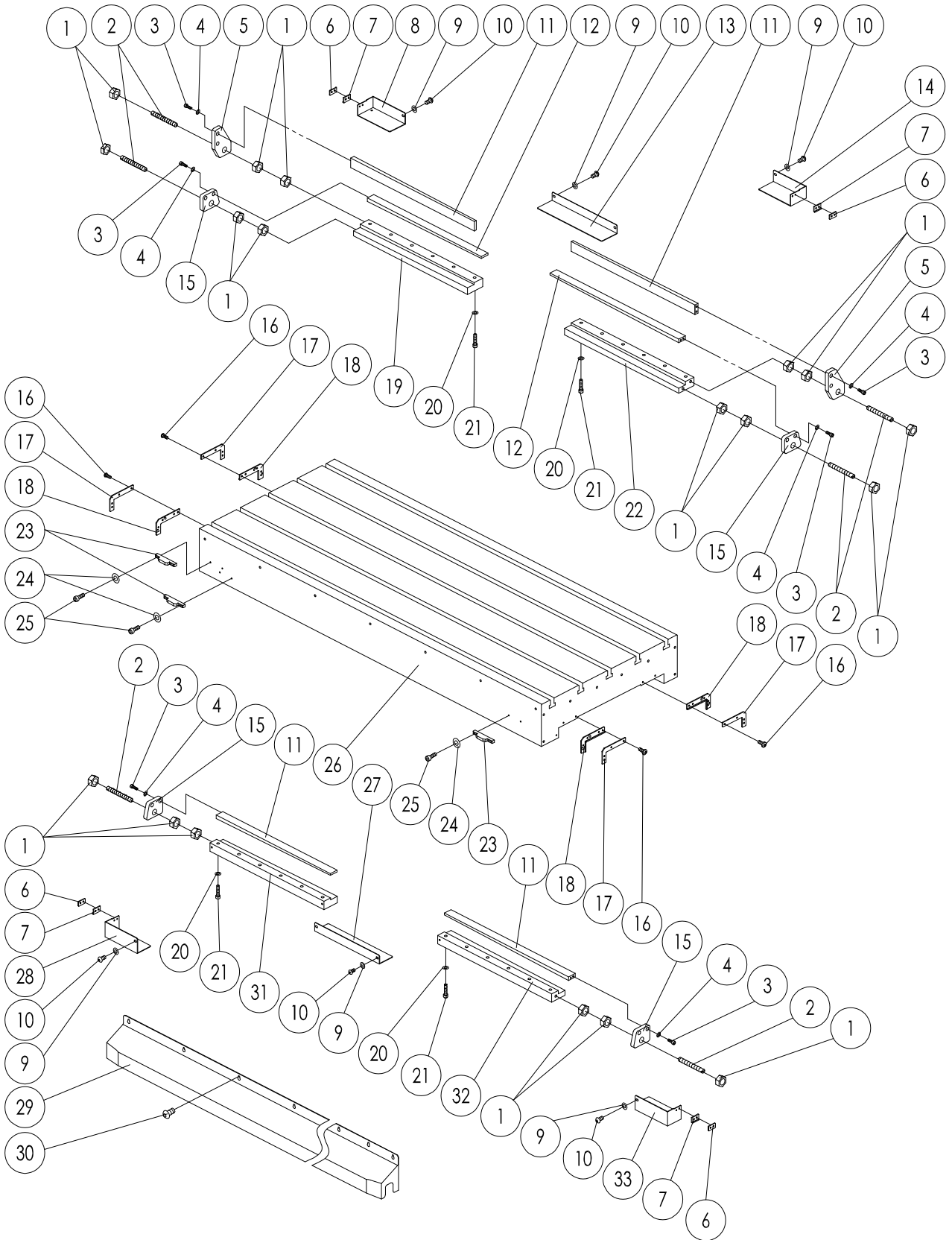


10.3.2 OLD COOLER ASSEMBLY PART LIST

NO.	PART NO.	DESCRIPTION	QTY
1.	Ø7/8"	BIND TUBE	6
2.	Ø1/2" ×650L	STAINLESS STEEL CONVEYING HOSES	1
3.	Ø1/2" ×520L	STAINLESS STEEL CONVEYING HOSES	1
4.	PT3/8" × Ø10	BRASS ADAPTER	1
5.	Ø10	BRASS SLEEVE	2
6.	Ø10×2800L	PU STAINLESS STEEL CONVEYING HOSES	2
7.	PT1/4" × Ø10	BRASS ADAPTER	1
8.	3/83×245	FAN	1
9.	SC-M5×8L	SOCKET CAP SCREW	4
10.	WS-Ø5	SPRING WASHER	4
11.	WF-Ø5	FLAT WASHER	4
12.	M4-C190-02	OLD COOLER	1
13.	PT3/8" ×1/2"	90° A DAPTER	3
14.	245×260	STRAINER	1
15.	M4-C191-01	OLD COOLER COVER	1
16.	SB-M5×8L	HEX SOCKET BUTTON HEAD SCREW	12
17.	M4-C192-02	OLD COOLER COVER	1
18.	PT1/2" × Ø10	90° BRASS ADAPTER	2
19.	10A	10A TERMINAL	1
20.	1/4HP	COOLANT PUMP	1
21.	SC-M6×16L	SOCKET CAP SCREW	4
22.	WS-Ø6	SPRING WASHER	4
23.	WF-Ø6	FLAT WASHER	4
24.	Ø1/2" ×380L	STAINLESS STEEL CONVEYING HOSES	1
25.	PT1/2" ×PT1/2"	WATER CONNECTION	1
26.	PT1/2" (IN	TRIPLE HEADED CONNECTION	1
27.	PT1/2" (OUT)×PT1/4" (IN)	BRASS ADAPTER	1
28.	PMM-10A-14K	BARIC SWITCH	1
29.	SC-M8×10L	SOCKET CAP SCREW	2
30.	WF-Ø8	FLAT WASHER	2

10.4 TABLE ASSEMBLY

10.4.1 TABLE ASSEMBLY DRAWING

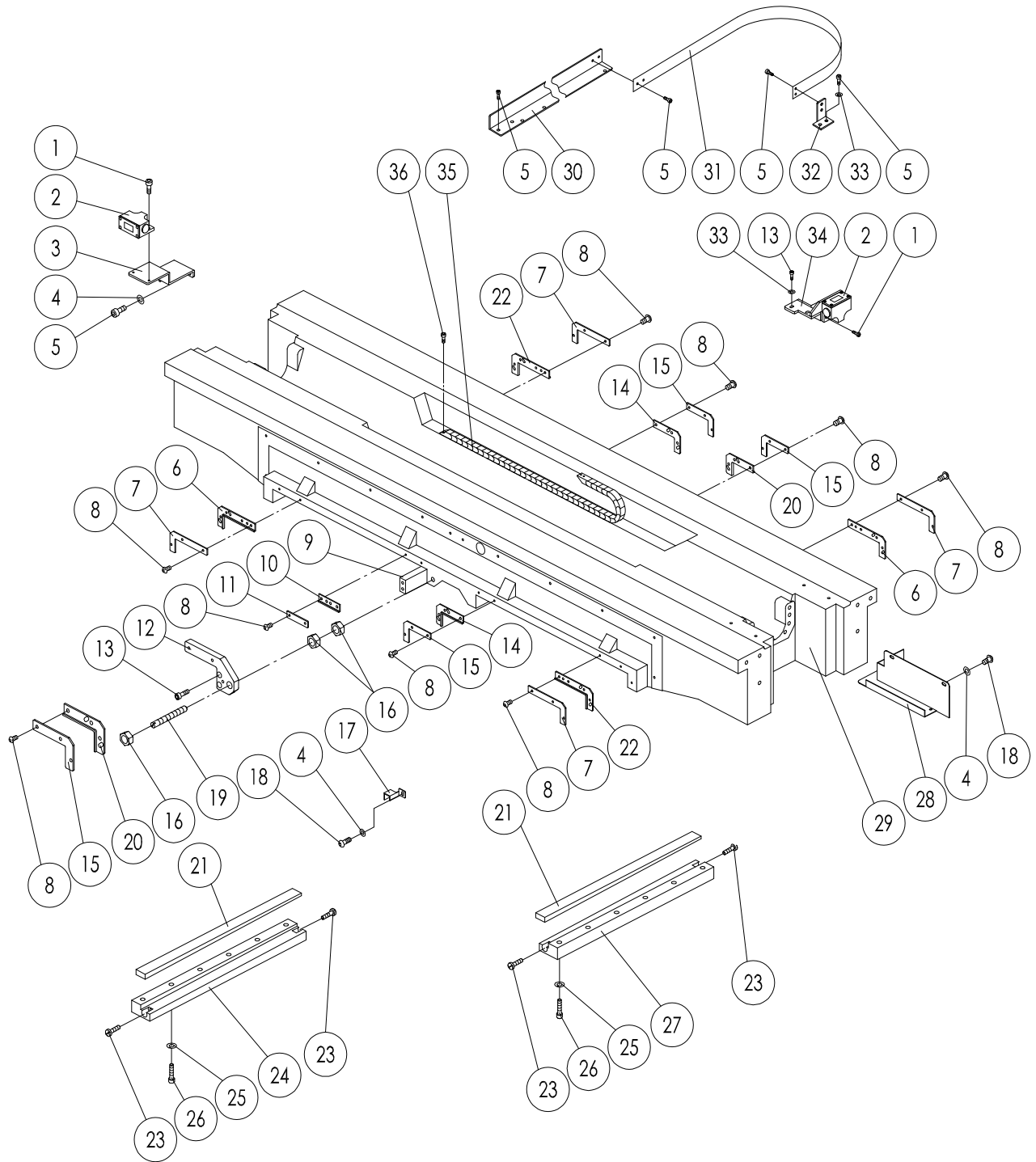


10.4.2 TABLE ASSEMBLY PART LIST

NO.	PART NO.	DESCRIPTION	QTY
1.	HN-M10	HEX.NUT	18
2.	B6-X046-00	GIB SCREW	6
3.	SC-M6x16L	SOCKET CAP SCREW	12
4.	WS-Ø6	SPRING WASHER	12
5.	M6-XB47-00	RIGHT GIB ADJUSTING PLATE	2
6.	M6-XB64-02	WIPER HOLDER	4
7.	M6-XB70-00	WIPER	4
8.	M6-X059-L1	LEFT WIPER COVER	1
9.	WF-Ø6	FLAT WASHER	8
10.	SB-M6x8L	SOCKET CAP SCREW	8
11.	M6-Z022-00	ELEVATING CASTING GIB	2
12.	M6-C049-00	ELEVATING CASTING GIB	4
13.	M6-X081-00	WORK TABLE COVER	1
14.	M6-X059-R1	RIGHT WIPER COVER	1
15.	M6-XB77-00	LEFT GIB ADJUSTING PLATE	4
16.	SB-M6x16L	SOCKET CAP SCREW	12
17.	M6-XB68-02	WIPER HOLDER	2
18.	M6-XB69-L0	WIPER	2
19.	M6-X067-L0	SLICING RAIL (LEFT)	1
20.	WS-Ø10	SPRING WASHER	24
21.	SC-M10x45L	SOCKET CAP SCREW	24
22.	M6-X067-R0	SLICING RAIL (RIGHT)	1
23.	M4-X016-00	DOG	3
24.	WF-Ø5	FLAT WASHER	6
25.	SC-M5x20L	SOCKET CAP SCREW	6
26.	M6-X001-02	WORK TABLE	1
27.	M6-X080-00	WORK TABLE COVER	1
28.	M6-X058-L1	WIPER COVER	1
29.	M6-XB20-00	LIMIT SWITCH COVER	1
30.	SB-M6x10L	SOCKET CAP SCREW	7
31.	M6-X066-L0	SLICING RAIL (LEFT)	1
32.	M6-X066-R0	SLICING RAIL (RIGHT)	1
33.	M6-X058-R1	WIPER COVER (RIGHT)	1

10.5 SADDLE ASSEMBLY

10.5.1 SADDLE ASSEMBLY DRAWING

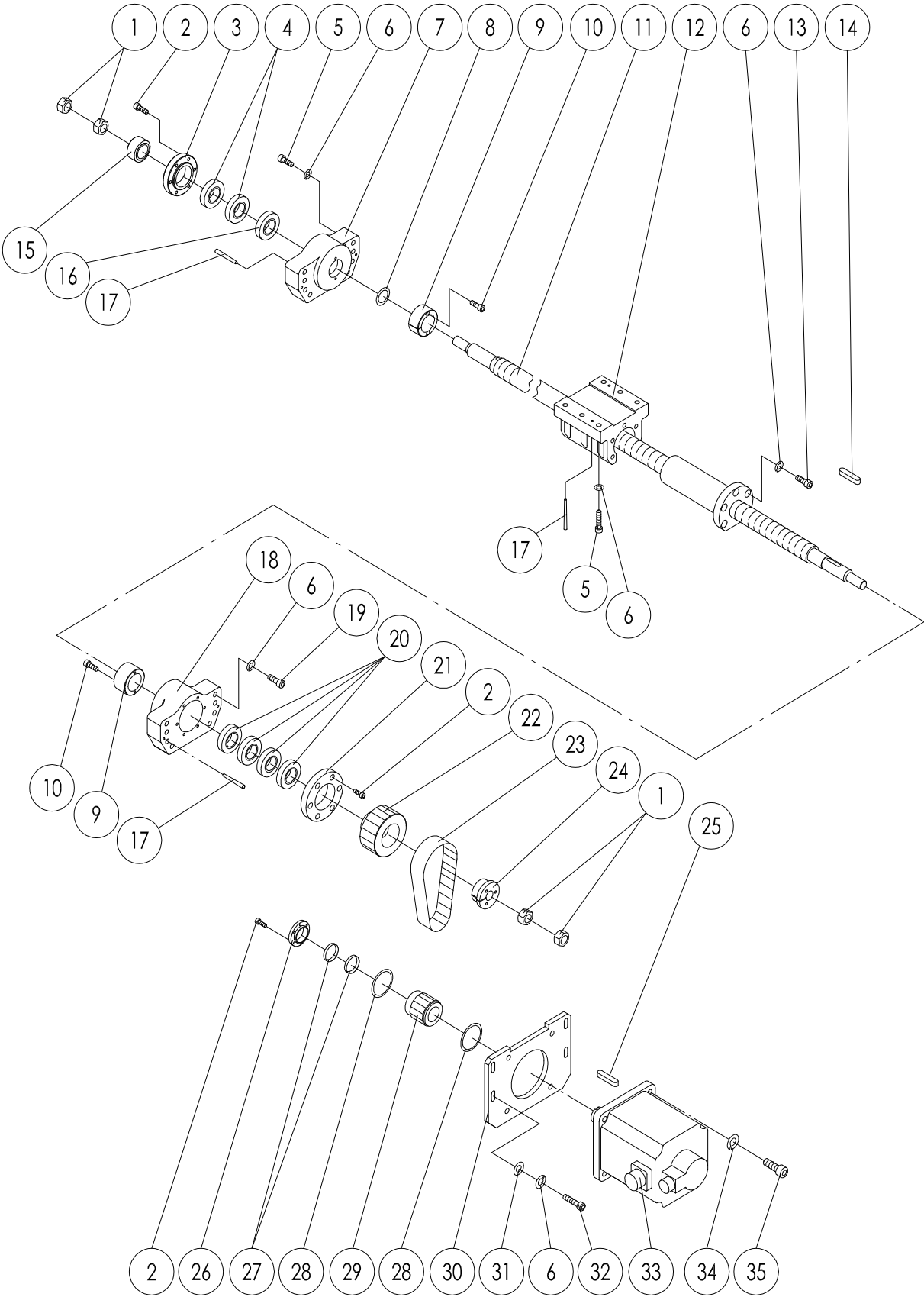


10.5.2 SADDLE ASSEMBLY PART LIST

NO.	PART NO.	DESCRIPTION	QTY
1.	SC-M5x16L	SOCKET CAP SCREW	4
2.	SN02D12-502C1688	LIMIT SWITCH	2
3.	M6-X015-01	LIMITS WITCH BASE	1
4.	WF-Ø6	FLAT WASHER	4
5.	SC-M6x12L	SOCKET CAP SCREW	10
6.	M6-Y050-L1	WIPER	2
7.	M6-Y051-01	WIPER HOLDER	3
8.	SB-M5x15L	HEX SOCKET BUTTON HEAD SCREW	23
9.	M6-Z022-00	ELEVATING CASTING GIB	1
10.	M6-Y058-00	WIPER	1
11.	M6-Y066-00	WIPER HOLDER	1
12.	M6-Y077-00	GIB ADJUSTING PLATE	1
13.	SC-M6x16L	SOCKET CAP SCREW	4
14.	M6-Y053-01	WIPER	2
15.	M6-Y055-01	WIPER HOLDER	2
16.	HN-M10	HEX.NUT	3
17.	M4-X075-00	BRACKET SUPPORTER BASE	1
18.	SB-M6x8L	HEX SOCKET BUTTON HEAD SCREW	1
19.	M6-X046-00	GIB SCREW	1
20.	M6-Y052-01	WIPER	2
21.	M6-C049-00	TAPER PIN	2
22.	M6-Y050-R1	WIPER	2
23.	K2-C041-00	GIB SCREW	4
24.	M6-C115-00	SADDLE SLICING RAIL (LEFT)	1
25.	WS-Ø12	SPRING WASHER	12
26.	SC-M12x40L	SOCKET CAP SCREW	12
27.	M6-C116-00	SADDLE SLICING RAIL (RIGHT)	1
28.	M6-X045-00	TUBE COVER	1
29.	M6-X002-03	SADDLE	1
30.	M6-Y086-00	PIPE SUPPORTER	1
31.	V6-Y088-00	COMPRESS SPRING	1
32.	M4-Y087-00	COMPRESS SPRING BRACKET	1
33.	WS-Ø6	SPRING WASHER	4
34.	M6-Y075-00	Y AXIS LIMITS WITCH BASE	1
35.	75 目	FLEXIBLE CARRIER	1
36.	SB-M4x10L	HEX SOCKET BUTTON HEAD SCREW	2

10.6 X AXIS ASSEMBLY

10.6.1 X AXIS ASSEMBLY DRAWING

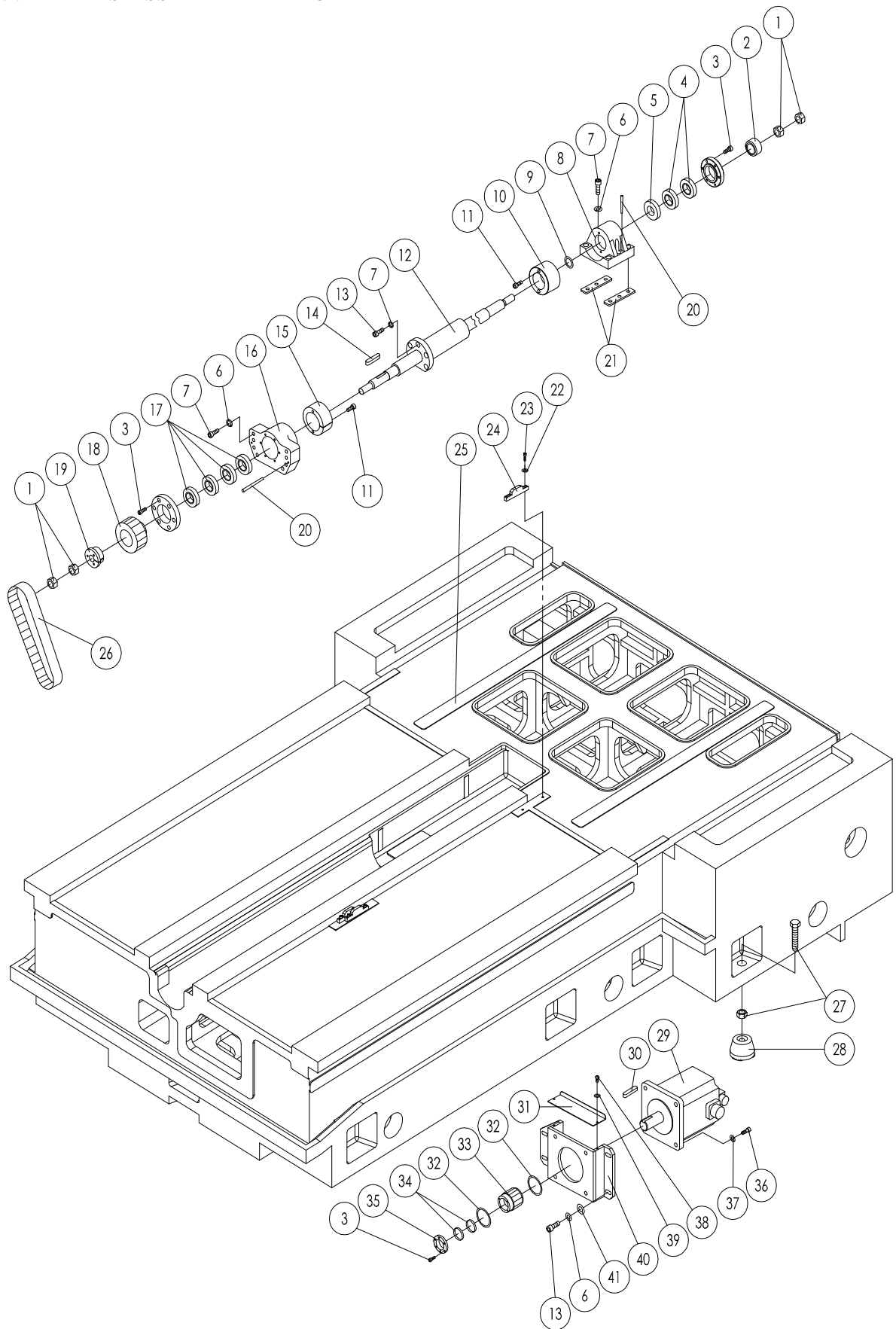


10.6.2 X AXIS ASSEMBLY PART LIST

NO.	PART NO.	DESCRIPTION	QTY
1.	B8-Y035-00	M20 HEX.NUT	2
2.	SC-M6x20L	SOCKET CAP SCREW	18
3.	4M-X009-01	BEARING CAP	1
4.	3062	BEARING	2
5.	SC-M10x40L	SOCKET CAP SCREW	14
6.	WS-Ø10	SPRING WASHER	31
7.	M6-XA05-00	X AXIS BEARING BRACKET	1
8.	Ø30xØ45x8	O RING	1
9.	M6-X085-L1	PROTECTION BLOCK	2
10.	SC-M6x25L	SOCKET CAP SCREW	4
11.	M6-X017-M1	X AXIS BALL SCREW	1
12.	M6-X003-00	FEED NUT BRACKET	1
13.	SC-M10x30L	SOCKET CAP SCREW	5
14.	KY-10x8x35L	KEY	1
15.	M5-YA09-01	BEARING SPACER	1
16.	6206	BEARING	1
17.	TP-#4x45L	TAPER PIN	6
18.	M6-X005-01	X AXIS BEARING BRACKET	1
19.	SC-M10x60L	SOCKET CAP SCREW	8
20.	3572	BEARING	4
21.	M6-YA11-01	BEARING BRACKET COVER	1
22.	M6-X030-02	64T 5M HTD GEAR	1
23.	48T : 64T 550-5Mx40	MOTOR BELT	1
24.	M6-X031-01	LOCK BLOCK	1
25.	KY-10x8x20	KEY	1
26.	M5-X027-00	LOCK BLOCK	1
27.	Ø35xØ45x7	LOCK RING (SEC-300)	2
28.	M5-X010-00	SIDE RING	2
29.	M5-X008-P1	48T 5M HTD PULLEY	1
30.	M6-X025-P0	X AXIS MOTOR BASE (PANASONIC、MITSUBISHI 2kw)	1
30-1.	M6-X025-A0	X AXIS MOTOR BASE (ATRUMP-CENTROID-2.2kw)	1
31.	WF-Ø10	FLAT WASHER	4
32.	SC-M10x25L	SOCKET CAP SCREW	4
33.	HA100N(B)S-2KW	SERVO MOTOR (MITSUBISHI)	1
33-1.	HC-SFS202-2KW	SERVO MOTOR (MITSUBISHI)	1
33-2.	α 12/2000-2.1KW	SERVO MOTOR (FANUC)	1
33-3.	LD-180-2.2KW	SERVO MOTOR (CENTROID)	1
34.	WS-Ø12	SPRING WASHER	4
35.	SC-M12x40L	SOCKET CAP SCREW	4

10.7 Y AXIS ASSEMBLY

10.7.1 Y AXIS ASSEMBLY DRAWING

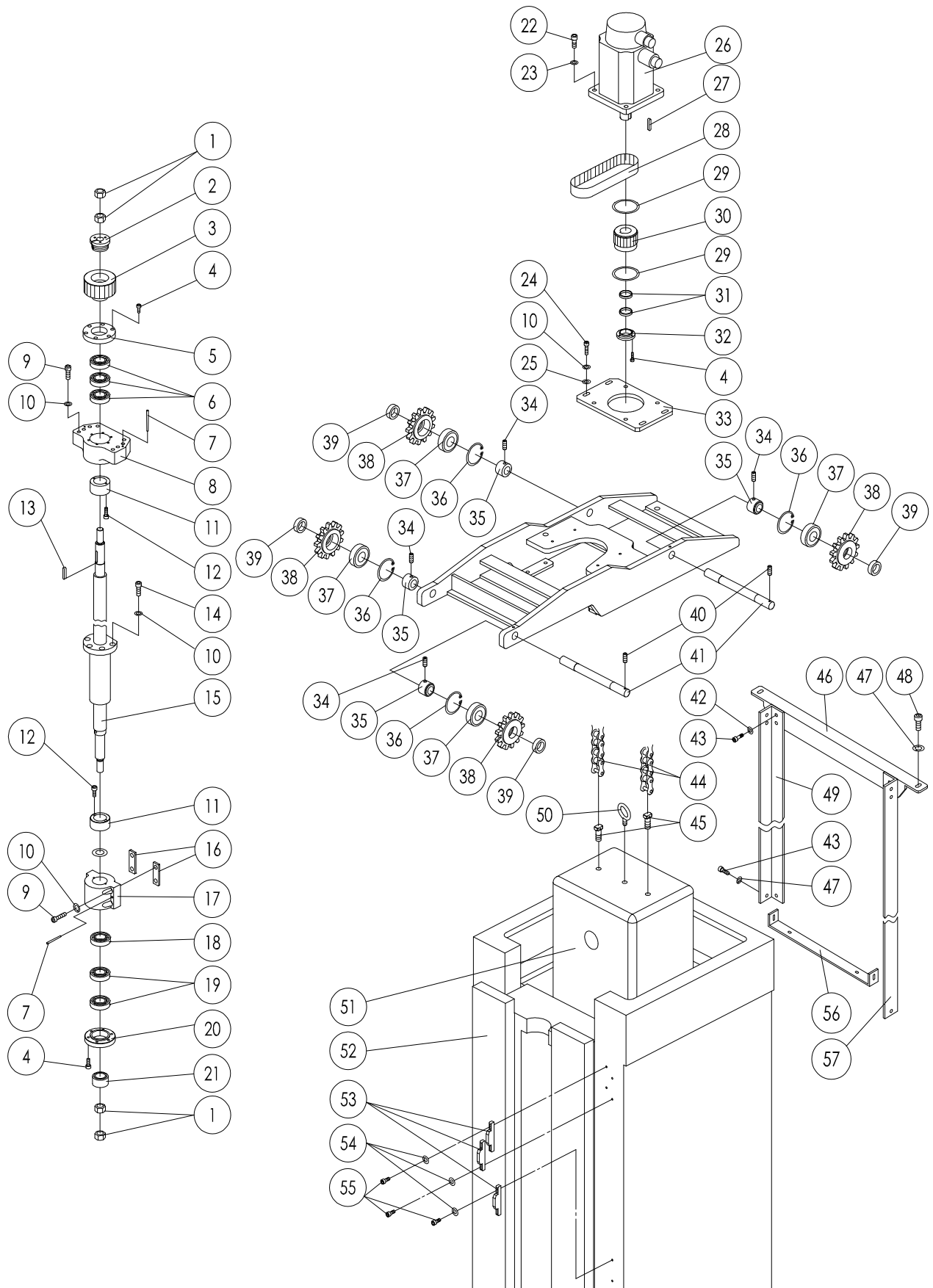


10.7.2 Y AXIS ASSEMBLY PART LIST

NO.	PART NO.	DESCRIPTION	QTY
1.	B8-Y035-00	M20 HEX.NUT	4
2.	M5-YA09-01	BEARING SPACER	1
3.	SC-M6x20L	SOCKET CAP SCREW	18
4.	3062	BEARING	2
5.	6206	BEARING	1
6.	WS-Ø10	SPRING WASHER	18
7.	SC-M10x40L	SOCKET CAP SCREW	19
8.	M6-YA35-01	Y AXIS CLAMPING BEARING BRACKET	1
9.	Ø30xØ45x8	O RING	1
10.	M6-Y085-K0	Y AXIS PROTECTION BLOCK	1
11.	SC-M6x25L	SOCKET CAP SCREW	4
12.	M6-Y000-M1	Y AXIS BALL SCREW	1
13.	SC-M10x30L	SOCKET CAP SCREW	5
14.	KY-10x8x35L	KEY	1
15.	M6-X085-L1	PROTECTION BLOCK	1
16.	M6-X005-01	X AXIS BEARING BRACKET	1
17.	3572	BEARING	4
18.	M6-X030-02	64T 5M HTD GEAR	1
19.	M6-X031-01	LOCK BLOCK	1
20.	TP-#4x45L	TAPER PIN	4
21.	M6-Y008-00	CLAMPING PLATE	2
22.	WF-Ø5	FLAT WASHER	6
23.	SC-M5x20L	SOCKET CAP SCREW	6
24.	M4-X016-00	DOG	3
25.	M6-A000-03	BASE	1
26.	64T:48T 810-5Mx40	MOTOR BELT	1
27.	M6-C100-00	SCREW	11
28.	M6-C099-02	BASE BLOCK	11
29.	HA100N(B)S-2KW	SERVO MOTOR (MITSUBISHI)	1
29-1.	HC-SFS202-2KW	SERVO MOTOR (MITSUBISHI)	1
29-2.	α 12/2000-2.1KW	SERVO MOTOR (FANUC)	1
29-3.	LD-180-2.2KW	SERVO MOTOR (CENTROID)	1
30.	KY-10x8x20L	KEY	1
31.	M6-Y020-01	MOTOR COVER	1
32.	M5-X010-00	SIDE RING	2
33.	M5-X008-P1	48T 5M HTD PULLEY	1
34.	Ø35xØ45x7	LOCK RING (SEC-300)	2
35.	M5-X027-00	LOCK BLOCK	1
36.	SC-M12x30L	SOCKET CAP SCREW	4
37.	WS-Ø12	SPRING WASHER	4
38.	SB-M6x8L	HEX SOCKET BUTTON HEAD SCREW	2
39.	WS-Ø6	SPRING WASHER	2
40.	M6-Y015-P1	Y AXIS MOTOR BASE	1
41.	WF-Ø10	FLAT WASHER	4

10.8 Z AXIS ASSEMBLY

10.8.1 Z AXIS ASSEMBLY DRAWING

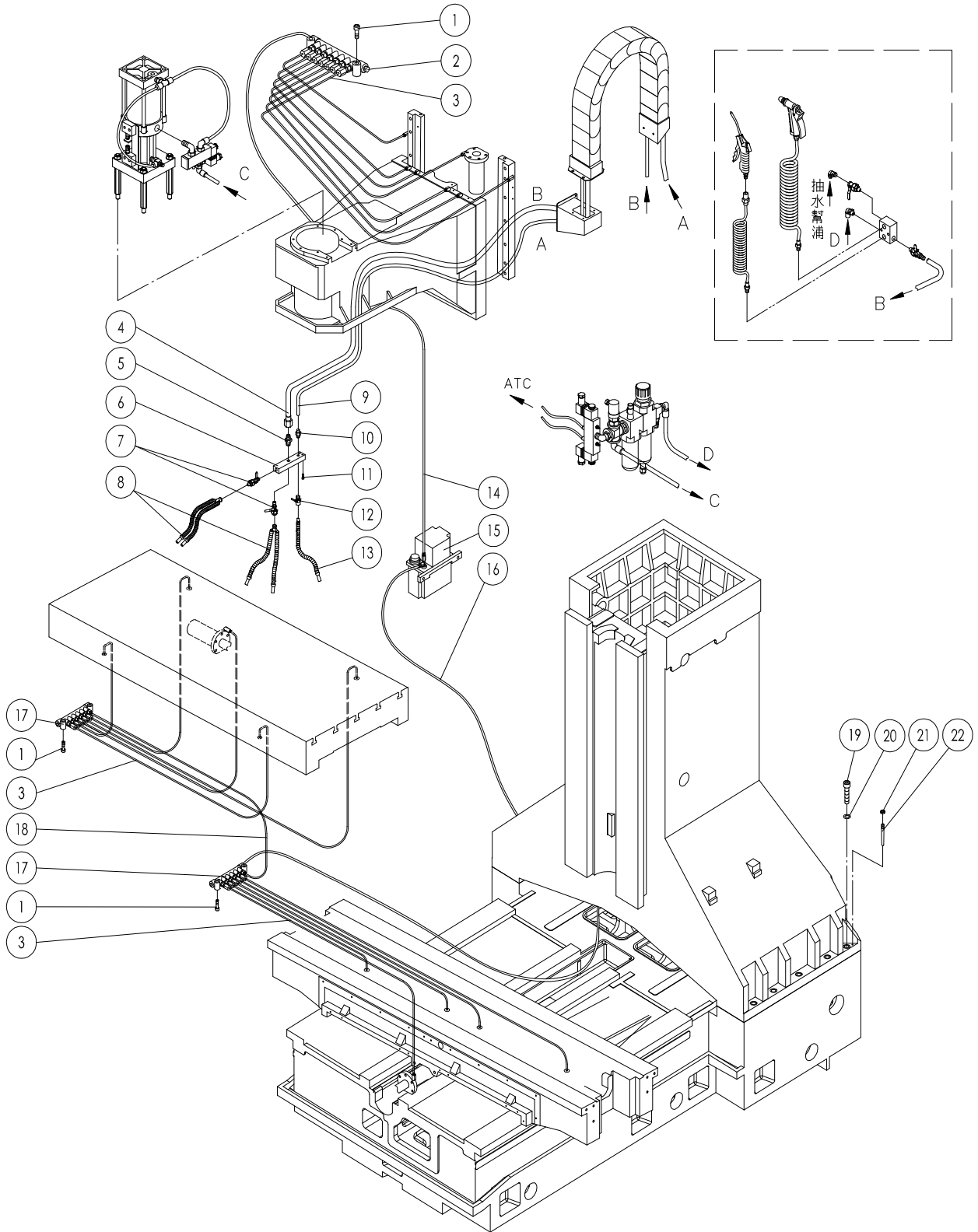


10.8.2 Z AXIS ASSEMBLY PART LIST

NO.	PART NO.	DESCRIPTION	QTY
1.	B8-Y035-00	M20 HEX.NUT	4
2.	M6-X031-01	LOCK BLOCK	1
3.	M6-X030-02	64T 5M HTD GEAR	1
4.	SC-M6x20L	SOCKET CAP SCREW	18
5.	M6-YA11-01	BEARING BRACKET COVER	1
6.	3572	BEARING	3
7.	TP-#4x45L	TAPER PIN	4
8.	M6-Z001-01	Z AXI SBEARING BRACKET	1
9.	SC-M10x40L	SOCKET CAP SCREW	12
10.	WS-Ø10	SPRING WASHER	21
11.	M6-X085-L1	PROTECTION BLOCK	2
12.	SC-M6x25L	SOCKET CAP SCREW	4
13.	KY-10x8x35L	KEY	1
14.	SC-M10x30L	SOCKET CAP SCREW	5
15.	M6-Z000-M2	Z AXIS BALL SCREW	1
16.	M6-Z004-01	CLAMPING PLATE	2
17.	M6-Z003-01	Z AXIS CLAMPING BEARING BRACKET	1
18.	6206	BEARING	1
19.	3062	BEARING	2
20.	4M-X009-01	BEARING CAP	1
21.	M5-YA09-01	BEARING SPACER	1
22.	SC-M12x40L	SOCKET CAP SCREW	4
23.	WS-Ø12	SPRING WASHER	4
24.	SC-M10x25L	SOCKET CAP SCREW	4
25.	Ø35xØ12x6	FLAT WASHER	4
26.	HA100N(B)S-2KW	SERVO MOTOR (MITSUBISHI)	1
26-1.	HC-SFS202-2KW	SERVO MOTOR (MITSUBISHI)	1
26-2.	α 12/2000-2.1KW	SERVO MOTOR (FANUC)	1
26-3.	LD-180-2.2KW	SERVO MOTOR (CENTROID)	1
27.	KY-10x8x20L	KEY	1
28.	64T:48T 600-5Mx40	MOTOR BELT	1
29.	M5-X010-00	SIDE RING	2
30.	M5-X008-P1	48T 5M HTD PULLEY	1
31.	Ø35xØ45x7	LOCK RING (SEC-300)	2
32.	M5-X027-00	LOCK BLOCK	1
33.	M6-Z034-P0	Z AXIS MOTOR BASE (PANASONIC、MITSUBISHI 2、3kw)	1
33-1.	M6-Z034-A0	Z AXIS MOTOR BASE (CENTROID-2.2 kw)	1
34.	SS-M6x8L	SOCKET SET SCREW	4
35.	M5-Z056-00	SPACER	4
36.	R-52	SNAP RING (FOR HOLD)	4
37.	6205	BEARING	4
38.	M5-Z037-00	BALANCING PULLEY	4
39.	M5-Z039-00	BEARING SPACER	4
40.	SS-M6x45L	SOCKET SET SCREW	2
41.	M6-Z038-01	BALANCING PULLEY SHAFT	2
42.	WS-Ø6	SPRING WASHER	4
43.	SC-M6x12L	SOCKET CAP SCREW	6
44.	SC-60	CHAIN	2
45.	M5-Z008-00	BALANCING SCREW	2
46.	M6-Z083-00	BALANCING BASE	1
47.	WF-Ø6	FLAT WASHER	4
48.	SC-M6x20L	SOCKET CAP SCREW	2
49.	M6-Z080-L4	BALANCING BASE SUPPORTER	1
50.	HB-M12	HOOK BOLT	1
51.	M6-A005-00	BALANCING BLOCK	1
52.	M6-A001-04	COLUMN	1
53.	M4-X016-00	DOG	3
54.	WF-Ø5	FLAT WASHER	6
55.	SC-M5x20L	SOCKET CAP SCREW	6
56.	M6-Z084-01	BALANCING BASE SUPPORTER	1
57.	M6-Z080-R4	BALANCING BASE SUPPORTER	1

10.9 COOLANT SYSTEM ASSEMBLY

10.9.1 COOLANT SYSTEM ASSEMBLY DRAWING

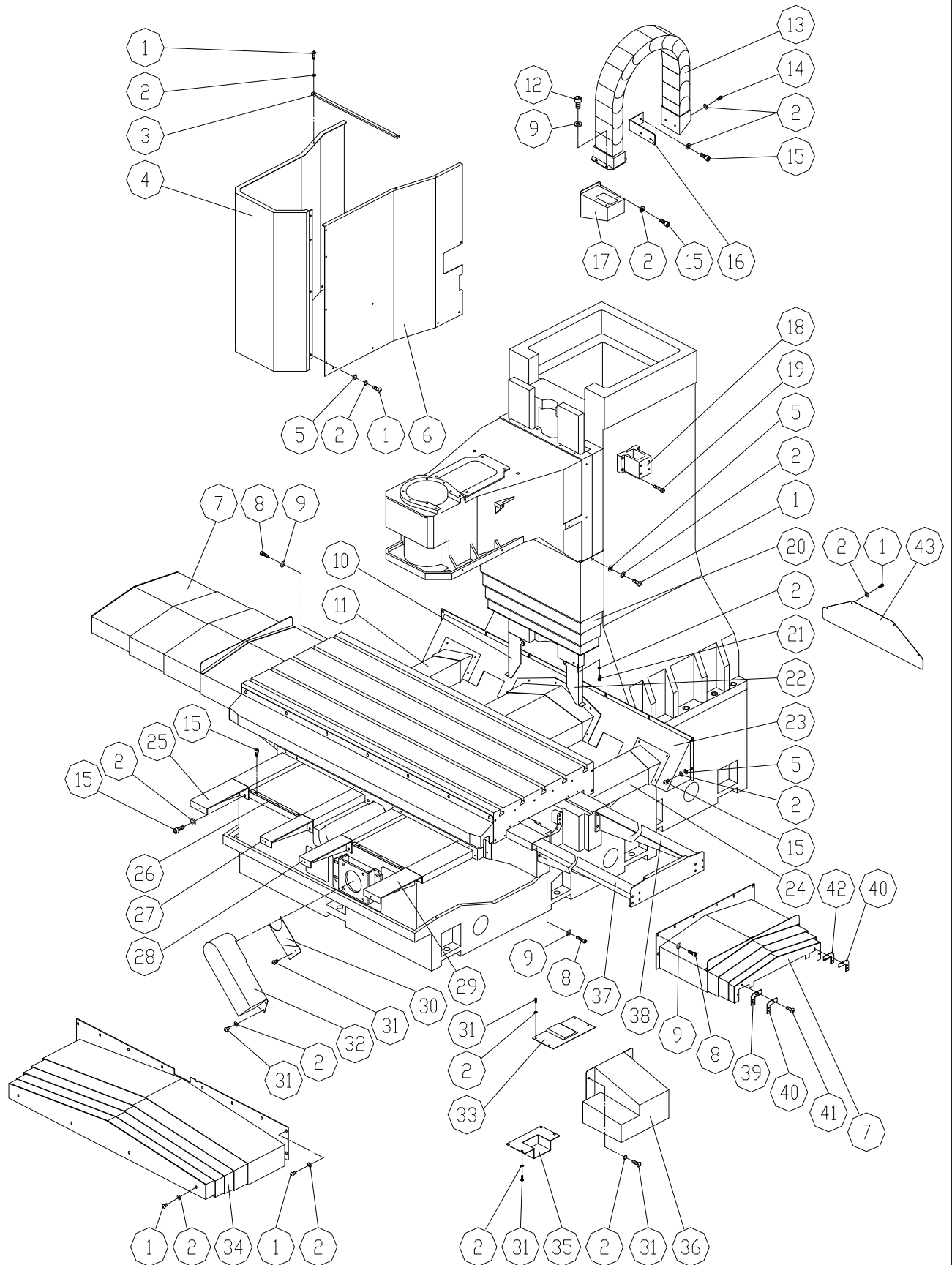


10.9.2 COOLANT SYSTEM ASSEMBLY PART LIST

NO.	PART NO.	DESCRIPTION	QTY
1.	SC-M6×25L	SOCKET CAP SCREW	6
2.	A9	OIL DISTRUBTE	1
3.	LT-Ø4	LUBRICATION OIL TUBING	17
4.	PH1/2" ×1800L	STAINLESS STEEL CONVEYING HOSES	1
5.	PH1/2" ×PT3/8"	WATER CONNECTION	1
6.	4M-Z045-00	COOLANT TUBSE BRACKET	1
7.	3/8"	BALL VALVE	2
8.	10½"	COOLANT TUBE	2
9.	Ø10×1020m	STAINLESS STEEL CONVEYING HOSES	1
10.	JPC8-02	LABORSAVING CONNECTION	1
11.	SC-M6×30L	SOCKET CAP SCREW	2
12.	22MF(PT1/4" ×PT1/4")	COCK	1
13.	PT1/4" ×17 球	AIR TUBE	1
14.	Ø4×1500L	LUBRICATING STRING	1
15.	CESW	ELECTRONIC LUBRICATION	1
16.	Ø4×4500L	LUBRICATING STRING	1
17.	A8	OIL DISTRUBTE	2
18.	Ø4×1600L	WATER OIL TUBING	1
19.	SC-M20×85L	SOCKET CAP SCREW	14
20.	WS-Ø20	SPRING WASHER	14
21.	HN-M6	HEX.NUT	2
22.	DF-6004-00	GIB	2

10.10 TABLE GUARD SHEET METAL ASSEMBLY

10.10.1 TABLE GUARD SHEET METAL ASSEMBLY DRAWING

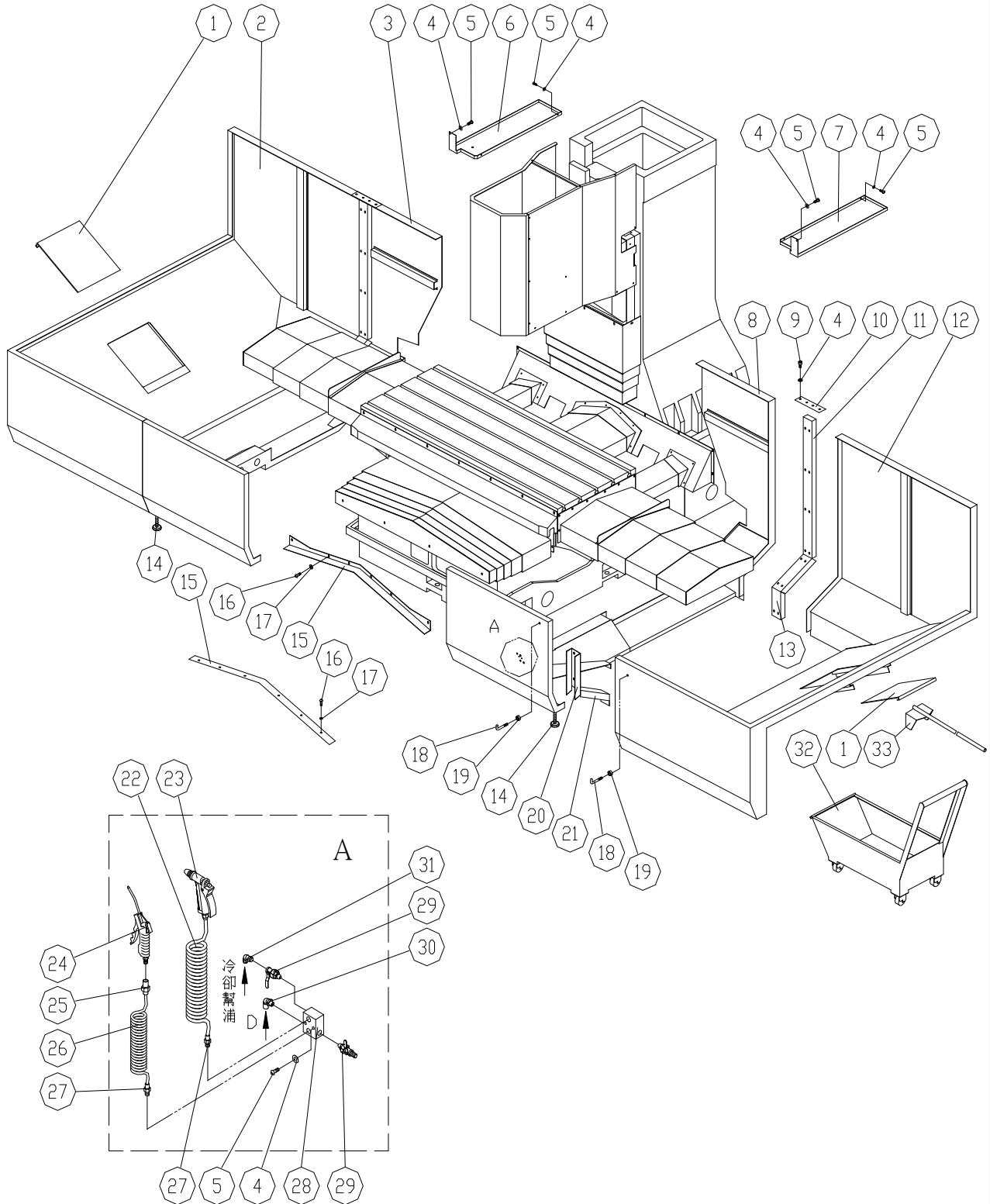


10.10.2 TABLE GUARD SHEET METAL ASSEMBLY PART LIST

NO.	PART NO.	DESCRIPTION	QTY
1.	SB-M6×12L	HEX SOCKET BUTTON HEAD SCREW	36
2.	WS-Ø6	SPRING WASHER	90
3.	M6-A032-00	HEAD COVER SUPPORTER	1
4.	M6-A030-01	HEAD COVER	1
5.	WF-Ø6	FLAT WASHER	28
6.	M6-A031-02	RIGHT HEAD COVER FLANK	1
7.	M6-X013-01	X AXIS TELESCOPING WAY COVER	1
8.	SC-M8×12L	SOCKET CAP SCREW	29
9.	WS-Ø8	SPRING WASHER	32
10.	M6-Z061-L3	Z AXIS TELESCOPING WAY COVER SUPPORTER (LEFT)	1
11.	M6-Y047-L0	Y AXIS TELESCOPING WAY COVER (REAR)	1
12.	SC-M8×8L	SOCKET CAP SCREW	4
13.	PVC3#×KR100×15 目×NO.6	FLEXIBLE CARRIER	1
14.	SC-M6×8L	SOCKET CAP SCREW	2
15.	SC-M6×12L	SOCKET CAP SCREW	26
16.	5M-Z055-00	POWER CHAIN BRACKET	1
17.	M5-Z063-00	BRACKET SUPPORTER BASE	1
18.	4M-C141-00	PENDANT ARM BRACKET	1
19.	SC-M8×30L	SOCKET CAP SCREW	4
20.	M6-Z060-03	Z AXIS TELESCOPING WAY COVER	1
21.	SC-M6×16L	SOCKET CAP SCREW	4
22.	M6-Z061-R3	Z AXIS TELESCOPING WAY COVER SUPPORTER (RIGHT)	1
23.	M6-Y047-02	Y AXIS TELESCOPING WAY COVER	1
24.	M6-Y047-R0	Y AXIS TELESCOPING WAY COVER (REAR)	1
25.	M6-Y046-L1	Y AXIS TELESCOPING WAY COVER SUPPORTER (LEFT)	1
26.	M6-A040-00	SPLASH GUARD	2
27.	M6-Y048-L1	Y AXIS TELESCOPING WAY COVER SUPPORTER (LEFT)	1
28.	M6-Y048-R1	Y AXIS TELESCOPING WAY COVER SUPPORTER (RIGT)	1
29.	M6-Y047-R1	Y AXIS TELESCOPING WAY COVER SUPPORTER (RIGT)	1
30.	M6-Y023-01	BELT COVER	1
31.	SB-M6×8L	HEX SOCKET BUTTON HEAD SCREW	16
32.	M6-Y022-01	PULLEY COVER	1
33.	M6-X072-01	PULLEY COVER	1
34.	M6-Y045-01	Y AXIS TELESCOPING WAY COVER (FRONT)	1
35.	M6-X073-02	X AXIS PULLEY COVER	1
36.	M6-X007-P2	X AXIS MOTOR COVER	1
37.	M6-X014-L0	X AXIS TELESCOPING WAY COVER SUPPORTER (LEFT)	1
38.	M6-X014-R0	X AXIS TELESCOPING WAY COVER SUPPORTER (RIGT)	1
39.	M6-Z048-L0	WIPER (LEFT)	2
40.	M6-Z049-00	WIPER HOLDER	4
41.	SB-M5×16L	HEX SOCKET BUTTON HEAD SCREW	8
42.	M6-Z048-R0	WIPER (RIGHT)	2
43.	M6-A013-02	REAR COVER	1

10.11 TABLE GUARD ASSEMBLY

10.11.1 TABLE GUARD ASSEMBLY DRAWING

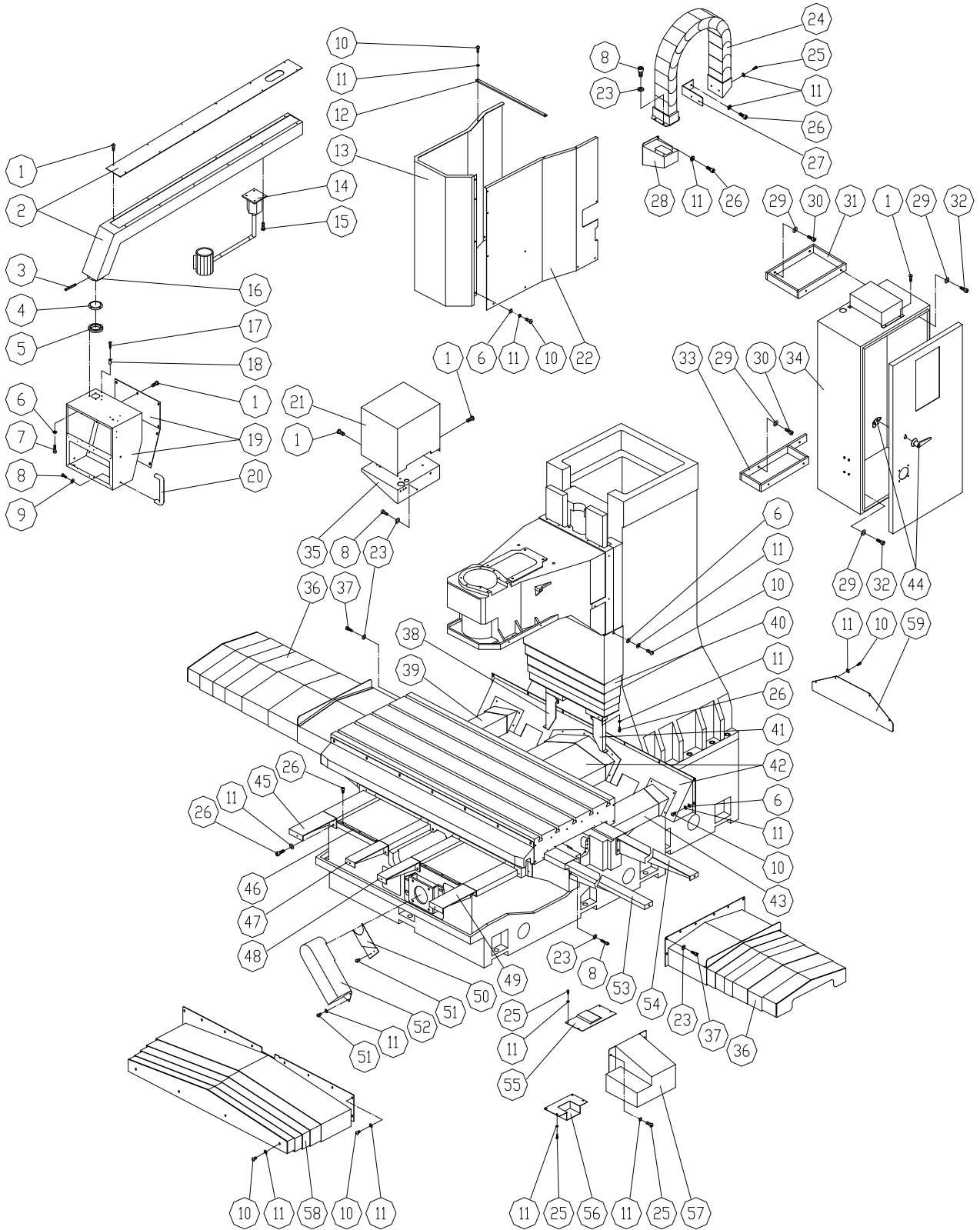


10.11.2 TABLE GUARD ASSEMBLY PART LIST

NO.	PART NO.	DESCRIPTION	QTY
1.	M6-A504-00	BAFFLE PLATE	2
2.	M6-A501-L0	LEFT GUARD	1
3.	M6-A500-L0	GUARD (LEFT)	1
4.	WS-Ø6	SPRING WASHER	16
5.	SB-M6x10L	SOCKET CAP SCREW	8
6.	M6-A125-L1	WATER TANK (LEFT)	1
7.	M6-A125-R1	WATER TANK (RIGHT)	1
8.	M6-A500-R0	GUARD (RIGHT)	1
9.	SC-M6x12L	SOCKET CAP SCREW	8
10.	M6-A412-00	GUARD SUPPORTER	1
11.	M6-A422-00	REAR SPLASH COVER (UPPER)	2
12.	M6-A501-R0	RIGHT GUARD	1
13.	M6-A423-00	REAR SPLASH COVER (DOWN)	2
14.	A6-A054-00	FULL ENCLOSURE BEAR BASAL	2
15.	M6-A413-00	SPLASH COVER	1
16.	SB-M5x10L	HEX SOCKET BUTTON HEAD SCREW	12
17.	WS-Ø5	SPRING WASHER	12
18.	A6-A050-00	AIR RIFLE PENDANT ARM	2
19.	HN-M6	HEX.NUT	2
20.	M6-A415-00	FRONT SPLASH COVER (MIDDLE)	2
21.	M6-A416-00	FRONT SPLASH COVER (DOWN)	2
22.	Ø12	ELASTIC PIPE	1
23.		WATER RIFLE	1
24.	KS-L-BV	AIR GUN	1
25.	CH-30	FAST CONNECTION	1
26.	5x8-6M	ELASTIC PIPE	1
27.	A015	BRASS ADAPTER	2
28.	4M-A055-00	STAINLESS STEEL CONVEYING HOSES BRACKET	1
29.	PT1/4" (out)	BALL VALVE	2
30.	PT1/4"	LABORSAVING CONNECTION	1
31.	Ø1/2" x1/4" PT	90° ADAPTER	1
32.	4M-B440-00	SCRAP IRON CAR	1
33.	M6-A086-00	IRON FILINGS RAKE	1

10.12 FULL ENCLOSURE SHEET METAL ASSEMBLY

10.12.1 FULL ENCLOSURE SHEET METAL ASSEMBLY DRAWING

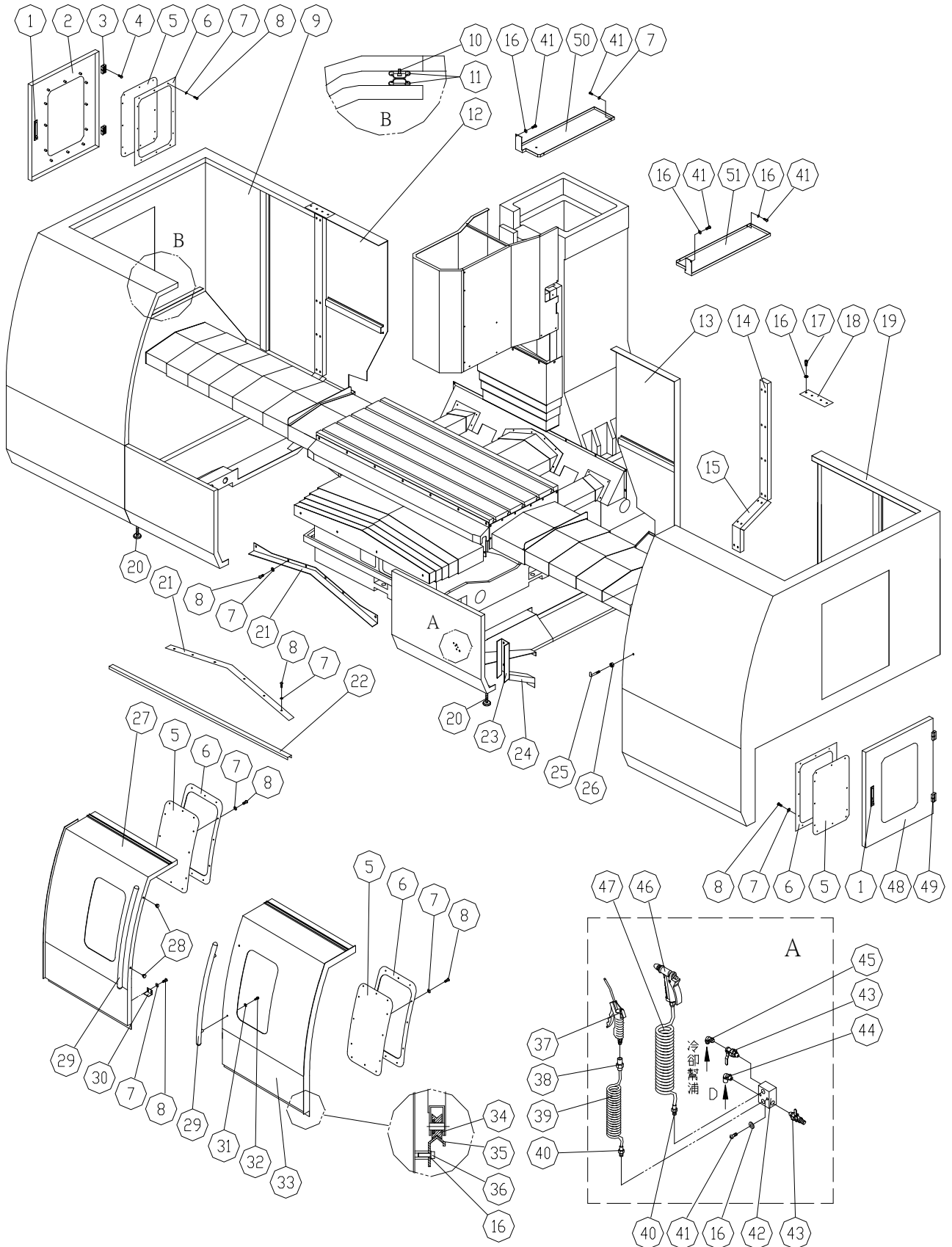


10.12.2 FULL ENCLOSURE SHEET METAL ASSEMBLY PART LIST

NO.	PART NO.	DESCRIPTION	QTY
1.	SB-M5x10L	HEX SOCKET BUTTON HEAD SCREW	22
2.	M6-C144-01	CONSOLE SUPPORTER	3.
3.	Ø6x24L	SPRING PIN	1
4.	6308	WASHER	1
5.	B6-C157-00	CONSOLE' S LINK	1
6.	WF-Ø6	FLAT WASHER	32
7.	SC-M6x16L	SOCKET CAP SCREW	4
8.	SC-M8x12L	SOCKET CAP SCREW	18
9.	WF-Ø8	FLAT WASHER	2
10.	SB-M6x12L	HEX SOCKET BUTTON HEAD SCREW	46
11.	WS-Ø6	SPRING WASHER	74
12.	M6-A032-00	HEAD COVER SUPPORTER	1
13.	M6-A030-01	HEAD COVER	
14.	JW-55½RNTM(110V/24V)	WORK LAMP	1
15.	M4x16L	SCREW	4
16.	B6-C156-00	CONSOLE' S LINK	1
17.	SC-M6x20L	SOCKET CAP SCREW	2
18.	V6-C151-00	CONSOLE' S ANGLE FIXED LINK	2
19.	V5-C146-02	OPERATE CONSOLE	1
20.	B6-C149-00	CONSOLE' S HANDLE	1
21.	5M-C170-01	CONVERTER BOX	1
22.	M6-A031-02	RIGHT HEAD COVER FLANK	1
23.	WS-Ø8	SPRING WASHER	32
24.	PVC3#xKR100x15 目xNO.6	FLEXIBLE CARRIER	1
25.	SC-M6x8L	SOCKET CAP SCREW	14
26.	SC-M6x12L	SOCKET CAP SCREW	22
27.	5M-Z055-00	POWER CHAIN BRACKET	1
28.	M5-Z063-00	BRACKET SUPPORTER BASE	1
29.	WS-Ø10	SPRING WASHER	8
30.	SC-M10x30L	SOCKET CAP SCREW	4
31.	M6-C152-00	CABINET BRACKET	1
32.	SC-M10x16L	SOCKET CAP SCREW	4
33.	M6-C153-00	CABINET BRACKET	1
34.	B6-C148-G6	ELECTRIC BOX	1
35.	5M-C171-00	CONVERTE SUPPORTER	1
36.	M6-XA13-03	X AXIS TELESCOPING WAY COVER	2
37.	SB-M8x12L	HEX SOCKET BUTTON HEAD SCREW	16
38.	M6-Z061-L3	Z AXIS TELESCOPING WAY COVER SUPPORTER (LEFT)	1
39.	M6-Y047-L0	Y AXIS TELESCOPING WAY COVER (REAR)	1
40.	M6-Z060-03	Z AXIS TELESCOPING WAY COVER	1
41.	M6-Z061-R3	Z AXIS TELESCOPING WAY COVER SUPPORTER (RIGHT)	1
42.	M6-Y047-02	Y AXIS TELESCOPING WAY COVER (REAR)	1
43.	M6-Y047-R0	Y AXIS TELESCOPING WAY COVER	1
44.	A-45-A	ELECTRIC BOX HANDLE (PLATE)	1
45.	M6-Y046-L1	Y AXIS TELESCOPING WAY COVER SUPPORTER (LEFT)	1
46.	M6-A040-00	SPLASH GUARD	2
47.	M6-Y048-L1	COVER SUPPORTER (LEFT)	1
48.	M6-Y048-R1	COVER SUPPORTER (RIGHT)	1
49.	M6-Y046-R1	Y AXIS TELESCOPING WAY COVER SUPPORTER (RIGHT)	1
50.	M6-Y023-01	BELT COVER	1
51.	SB-M6x8L	HEX SOCKET BUTTON HEAD SCREW	1
52.	M6-Y022-01	PULLEY COVER	1
53.	M6-XA14-L3	X AXIS TELESCOPING WAY COVER SUPPORTER (LEFT)	2
54.	M6-XA14-R3	X AXIS TELESCOPING WAY COVER SUPPORTER (RIGHT)	2
55.	M6-X072-01	PULLEY COVER	1
56.	M6-X073-02	X AXIS PULLEY COVER	1
57.	M6-X007-P2	X AXIS MOTOR COVER	1
58.	M6-Y045-01	Y AXIS TELESCOPING WAY COVER (FRONT)	1
59.	M6-A013-01	REAR COVER	1

10.13 FULL ENCLOSURE ASSEMBLY

10.13.1 FULL ENCLOSURE ASSEMBLY DRAWING

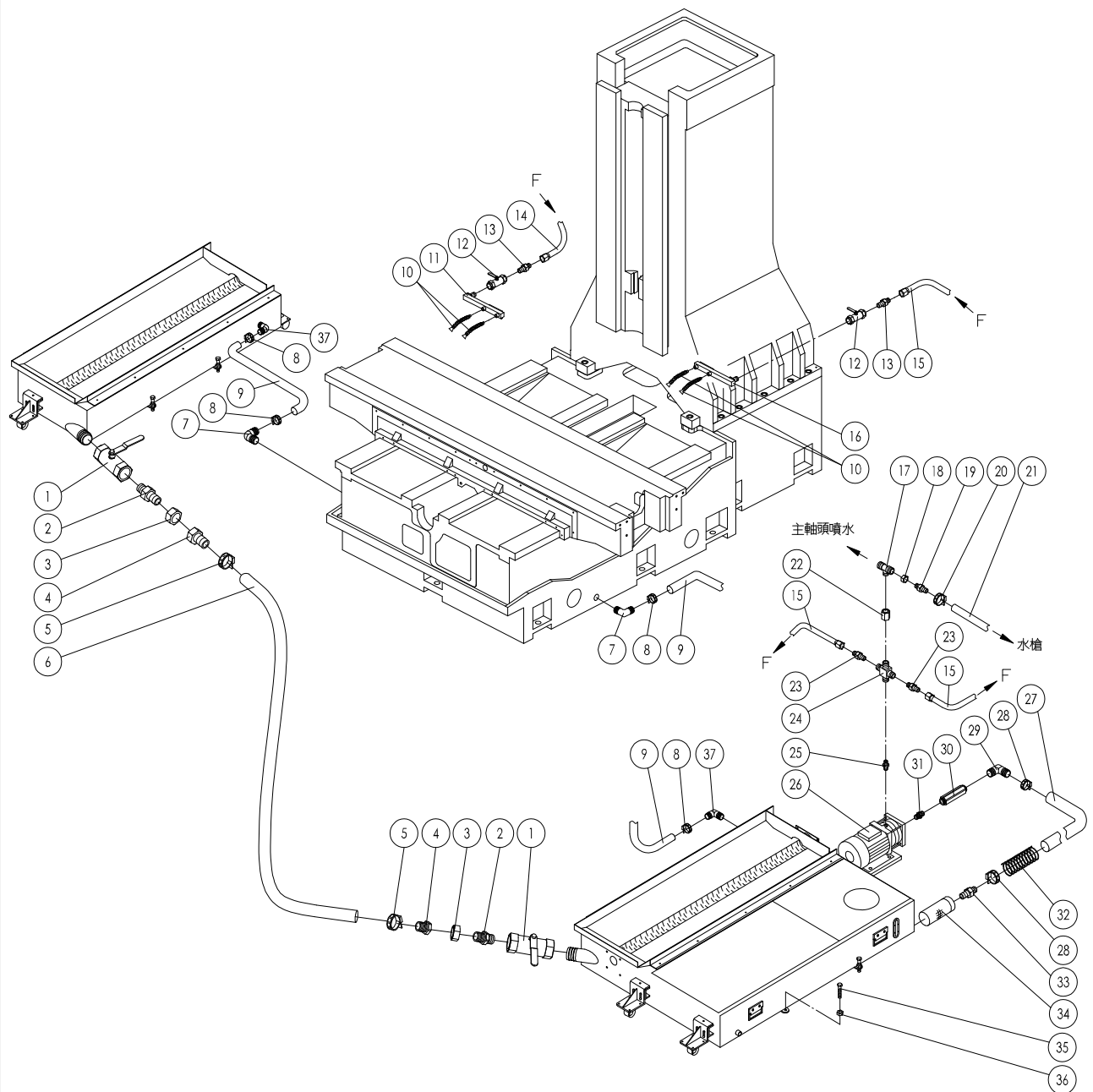


10.13.2 FULL ENCLOSURE ASSEMBLY PART LIST

NO.	PART NO.	DESCRIPTION	QTY
1.	4M-A431-00	HANDLE	2
2.	M6-A403-L0	LEFT DOOR	1
3.	4M-A432-L0	DOOR HINGE (LEFT)	2
4.	SC-M5x8L	SOCKET CAP SCREW	8
5.	A6-A052-00	ACRYLIC SHEET	4
6.	4M-A411-00	LATTIC FOR ACRYLIC SHEET	4
7.	WS-Ø5	SPRING WASHER	68
8.	SB-M5x10L	HEX SOCKET BUTTON HEAD SCREW	68
9.	M6-A401-L0	LEFT GUARD	1
10.	M6-A433-00	24" BEELINE RAILWAY	2
11.	SC-M4x8L	SOCKET CAP SCREW	6
12.	M6-A400-L0	LEFT GUARD	1
13.	M6-A400-R0	RIGHE GUARD	1
14.	M6-A422-00	REAR SPLASH COVER (UPPER)	2
15.	M6-A423-00	REAR SPLASH COVER (DOWN)	2
16.	WS-Ø6	SPRING WASHER	16
17.	SC-M6x12L	SOCKET CAP SCREW	8
18.	M6-A412-00	GUARD SUPPORTER	2
19.	M6-A401-R0	RIGHE GUARD	1
20.	A6-A054-00	FULL ENCLOSURE BEAR BASAL	2
21.	M6-A413-00	SPLASH COVER	1
22.	M6-A436-00	FRONT AEGIS BASE	1
23.	M6-A415-00	SPLASH COVER	2
24.	M6-A416-00	SPLASH COVER	2
25.	M6-A050-00	AIR RIFLE PENDANT ARM	2
26.	HN-M6	HEX.NUT	2
27.	M6-A402-L0	LEFT DOOR	1
28.	3 mm	P.P BLOCK	2
29.	4M-A438-00	DOOR HANDLE	2
30.	4M-A439-00	FRONT DOOR BAFFLE PLATE	4
31.	WF-Ø8	FLAT WASHER	4
32.	SC-M8x8L	SOCKET CAP SCREW	4
33.	M6-A402-R0	RIGHT DOOR	1
34.	4M-A440-00	PULLEY BASE	4
35.	4M-A441-00	DOOR RAILWAY	2
36.	SC-M6x12L	SOCKET CAP SCREW	10
37.	KS-L-BV	AIR GUN	1
38.	CH-30	FAST CONNECTION	1
39.	5x8-6M	ELASTIC PIPE	1
40.	A015	BRASS ADAPTER	2
41.	SB-M6x10L	HEX SOCKET BUTTON HEAD SCREW	8
42.	4M-A055-00	STAINLESS STEEL CONVEYING HOSES BRACKET	1
43.	PT1/4" (out)	BALL VALVE	2
44.	PT1/4"	LABORSAVING CONNECTION	1
45.	Ø1/2" x1/4" PT	90° ADAPTER	1
46.		WATER RIFLE	1
47.	Ø12	ELASTIC PIPE	1
48.	M6-A403-R0	RIGHT DOOR	1
49.	M6-A432-R0	DOOR HINGE (RIGHT)	2
50.	M6-A125-L1	WATER TANK (LEFT)	1
51.	M6-A125-R1	WATER TANK (RIGHT)	1

10.14 CHIP TANK ASSEMBLY

10.14.1 CHIP TANK ASSEMBLY DRAWING

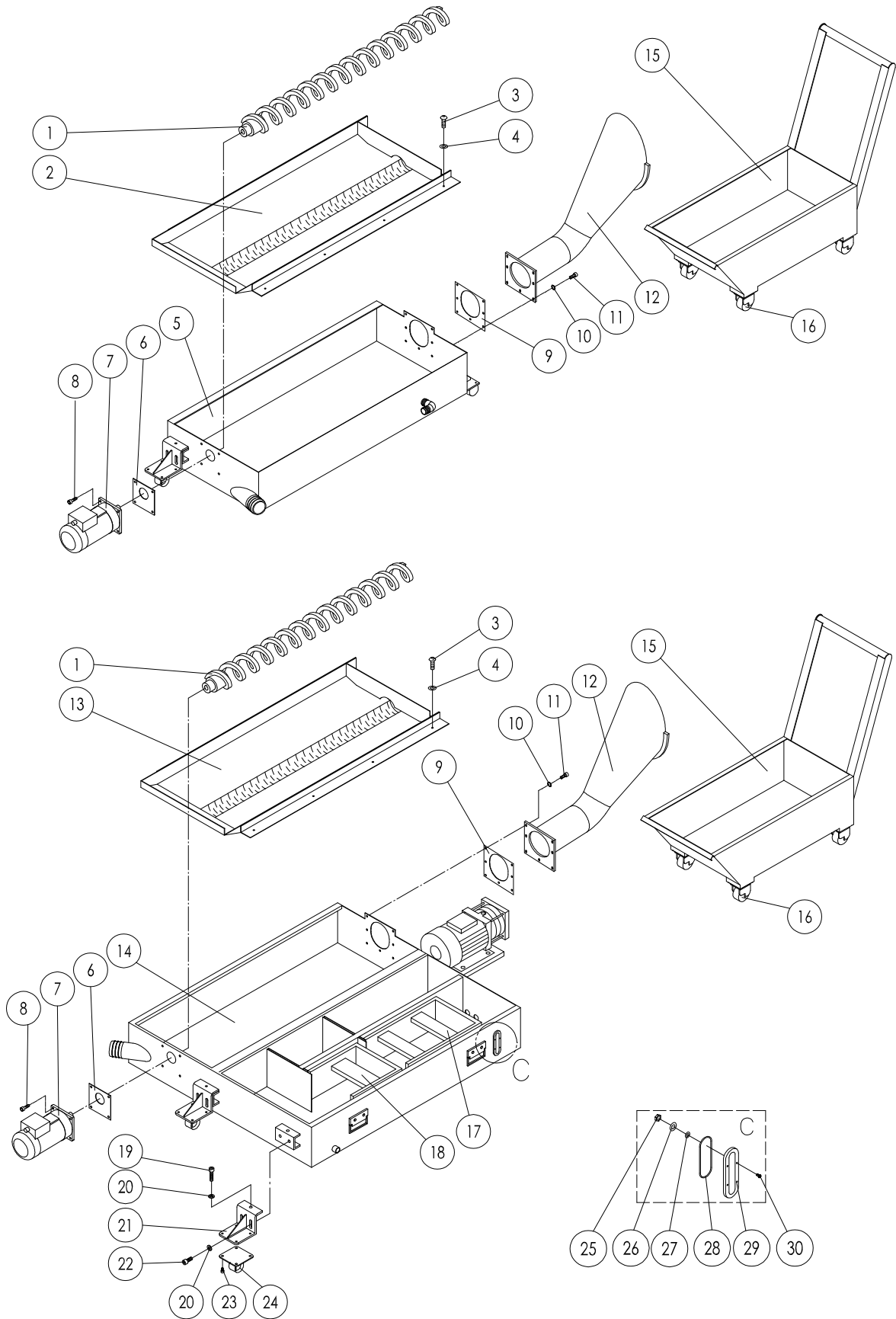


10.14.2 CHIP TANK ASSEMBLY PART LIST

NO.	PART NO.	DESCRIPTION	QTY
1.	PT2"	BALL VALVE	2
2.	PT2" xPH2"	WATER CONNECTION	2
3.	HN-PH2"	HEX.NUT	2
4.	ØPH2"	ADAPTER	2
5.	Ø2½"	BIND TUBE	2
6.	Ø2"	WATER PIPE	1
7.	PT1" x Ø1¼"	90° ADAPTER	2
8.	Ø1¾"	BIND TUBE	4
9.	Ø1¼"	WATER PIPE	2
10.	PT1/4" x8	PLASTIC NOZZLE	4
11.	M6-Z087-00	LEFT FLUSHES THE FILINGS TUBE	1
12.	PT3/4"	BALL VALVE	2
13.	PT3/4" xPH3/4"	WATER CONNECTION	2
14.	PT3/4" x150" L	STAINLESS STEEL CONVEYING HOSES	1
15.	PT3/4" x60" L	STAINLESS STEEL CONVEYING HOSES	1
16.	M6-Z087-00	RIGHT FLUSHES THE FILINGS TUBE	1
17.	PH1/2" xPT3/4" xPH1/2"	TRIPLE HEADED CONNECTION	1
18.	HN-PH1/2"	HEX.NUT	1
19.	ØPH1/2"	ADAPTER	1
20.	Ø¾"	BIND TUBE	1
21.	Ø½"	WATER PIPE	1
22.	PT1" xPT3/4"	BRASS ADAPTER	1
23.	PT1" xPT3/4"	WATER CONNECTION	1
24.	PT1"	CROSS PASSES	1
25.	PT1" xPT1"	WATER CONNECTION	1
26.	TPH-4T2K	PUMP	1
27.	Ø2"	WATER PIPE	1
28.	Ø2½"	BIND TUBE	2
29.	PT½" x Ø2"	90° ADAPTER	1
30.	PT1½"	CHECK VALVE	1
31.	PT1¼" xPT1½"	WATER CONNECTION	1
32.	Ø66xØ74xØ4xP10x500L	SPRING	1
33.	PT2" x2"	WATER CONNECTION	1
34.	MF-16(PT2")	WATER FILTER NET	1
35.	SH-M10x40L	HEX. HEAD SCREW	8
36.	HN-M10	HEX.NUT	8
37.	Ø1¼"	90° ADAPTER	2

10.15 CHIP CONVEYOR ASSEMBLY

10.15.1 CHIP CONVEYOR ASSEMBLY DRAWING

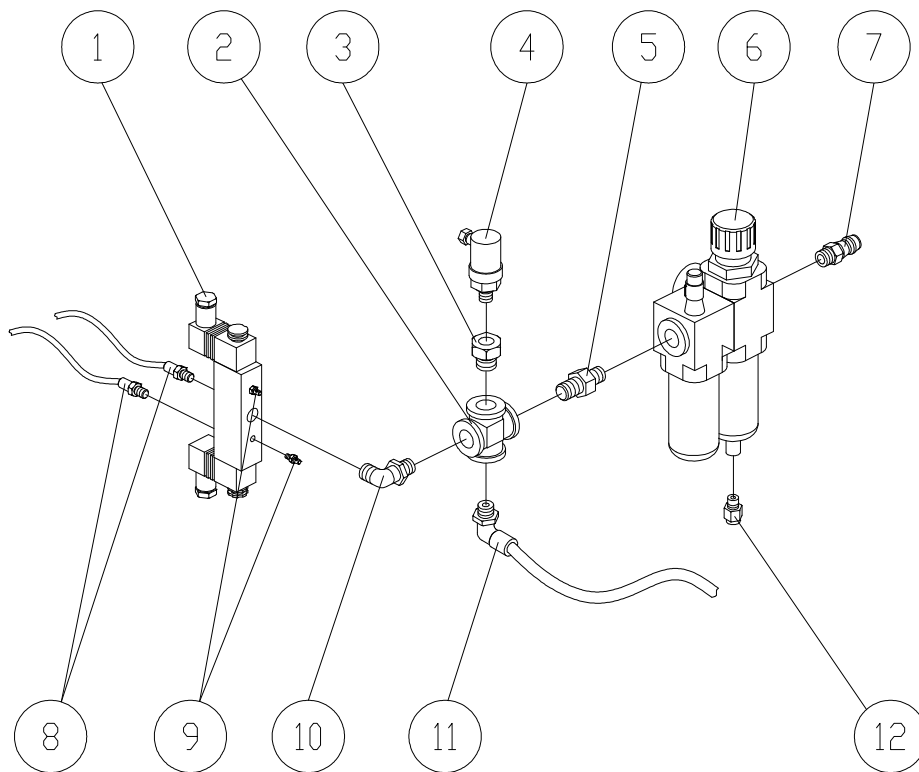


10.15.2 CHIP CONVEYOR ASSEMBLY PART LIST

NO.	PART NO.	DESCRIPTION	QTY
1.	M6-A446-00	SCREW TYPE CHIP CONVEYOR	2
2.	M6-B430-L0	LEFT CHIP PLATE	1
3.	SB-M5x10L	HEX SOCKET BUTTON HEAD SCREW	16
4.	WF-Ø5	FLAT WASHER	16
5.	M6-B422-L0	LEFT SUMP	1
6.	4M-A449-00	BRAKE MOTOR BASE	2
7.	G11V200S-90	BRAKE MOTOR	2
8.	SC-M8x20L	SOCKET CAP SCREW	8
9.	4M-A447-00	CHIP CONVEYOR PLATE	2
10.	WF-Ø6	FLAT WASHER	14
11.	SC-M6x16L	SOCKET CAP SCREW	14
12.	4M-A448-00	CHIP CONVEYOR	2
13.	M6-B430-R0	RIGHT CHIP PLATE	1
14.	M6-B422-R0	RIGHT SUMP	1
15.	4M-B440-00	SCRAP IRON CAR	2
16.	4M-A451-00	3" PLASTIC WHEEL	8
17.	M6-A453-00	SUMP STRAINER	1
18.	M6-A452-00	SUMP STRAINER	1
19.	SC-M10x40L	SOCKET CAP SCREW	8
20.	WS-Ø10	SPRING WASHER	8
21.	4M-A445-00	ACTIVITY WHEEL BRACKET	8
22.	SC-M10x25L	SOCKET CAP SCREW	8
23.	SC-M6x16L	SOCKET CAP SCREW	16
24.	4M-A443-00	3" CAST WHEEL	8
25.	HN-M3	HEX.NUT	4
26.	WF-Ø3	FLAT WASHER	4
27.	O-RING -Ø3	O RING	4
28.	O-RING -Ø55	O RING	1
29.	CLA	OIL LENS	1
30.	SB-M3x16L	HEX SOCKET BUTTON HEAD SCREW	4

10.16 AIR FILTER REGULATOR FOR FULL ENCLOSURE W/- ATC & 8000RPM (#50)

10.16.1 AIR FILTER REGULATOR FOR FULL ENCLOSURE W/- ATC & 8000RPM (#50) DRAWING



10.16.2 AIR FILTER REGULATOR FOR FULL ENCLOSURE W/- ATC & 8000RPM (#50) PART LIST

NO.	PART NO.	DESCRIPTION	QTY
1.	PHS530D-10	SOLENOID VALVES	1
2.	P101	BRASS ADAPTER	1
3.	P045	BRASS ADAPTER	1
4.	PMM-10A-14K	BARIC SWITCH	1
5.	P014-3	BRASS ADAPTER	1
6.	AFR420-15-AD41	AIR FILTER REGULATOR W/- METER	1
7.	PM-40(A)	FAST CONNECTION	1
8.	JPC10-03	LABORSAVING CONNECTION	2
9.	SL-03	SLIEVCERS	2
10.	P076	BRASS ADAPTER	1
11.	JPL12-03	LABORSAVING CONNECTION	1
12.	JSC8-01	LABORSAVING CONNECTION	1