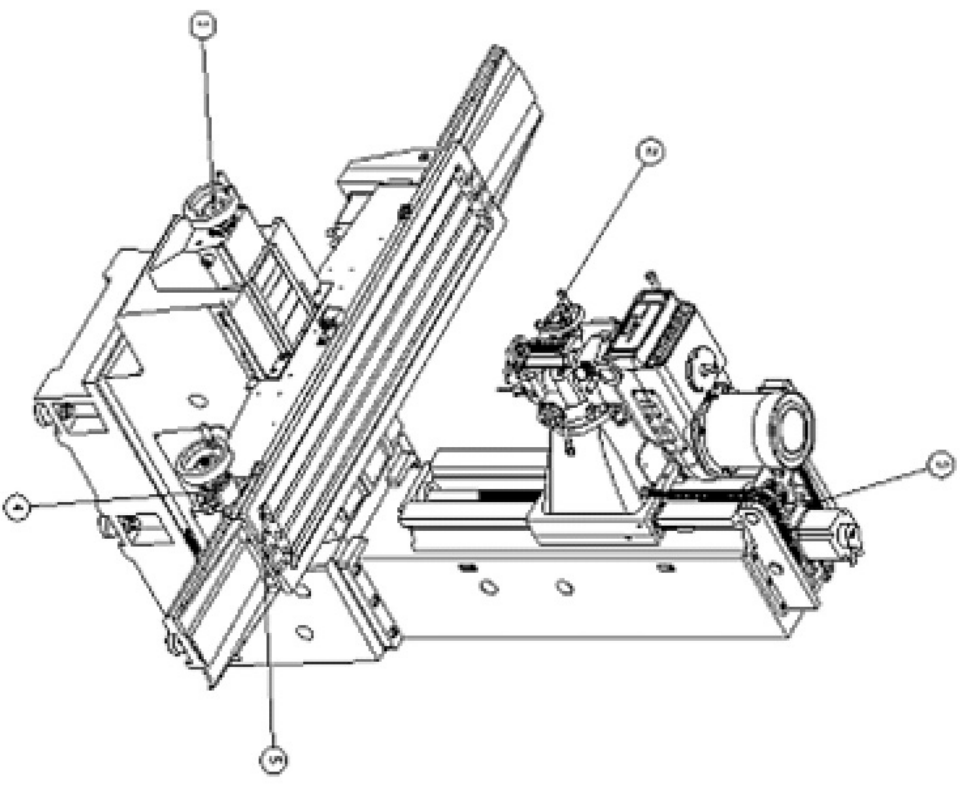
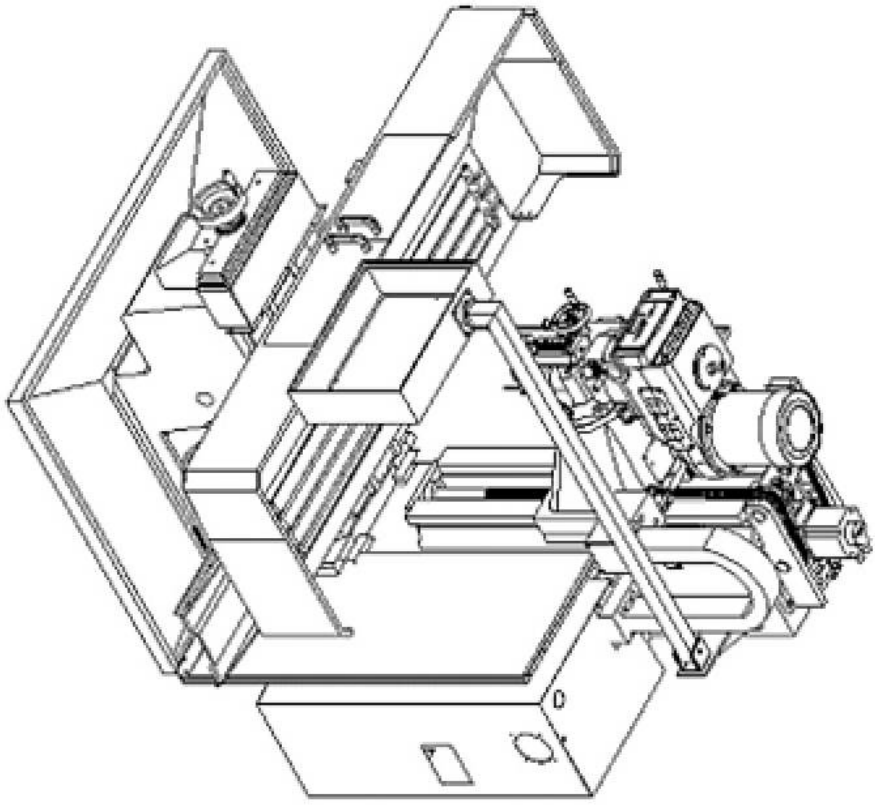


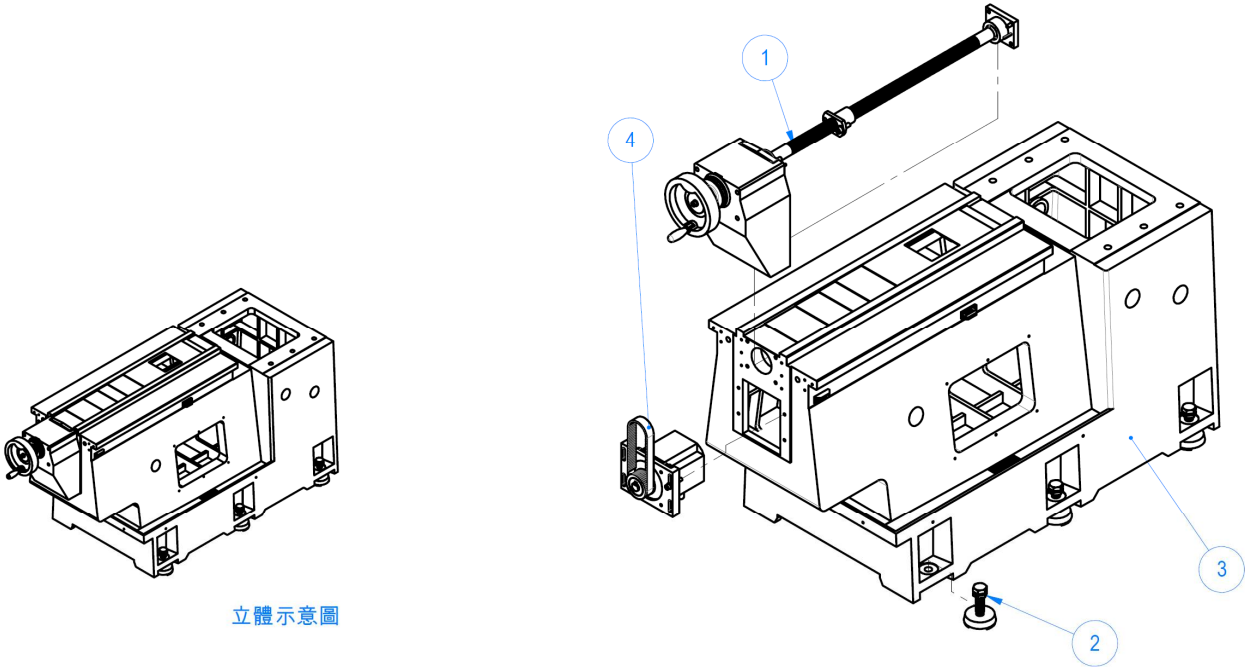
A2-7H

Parts List

NO	Description	Number of Drawing
1	Assy. Base	4
2	Assy. Column	4
3	Assy. Saddle	1
4	Assy. Table	4
5	Assy. Mill Head	1

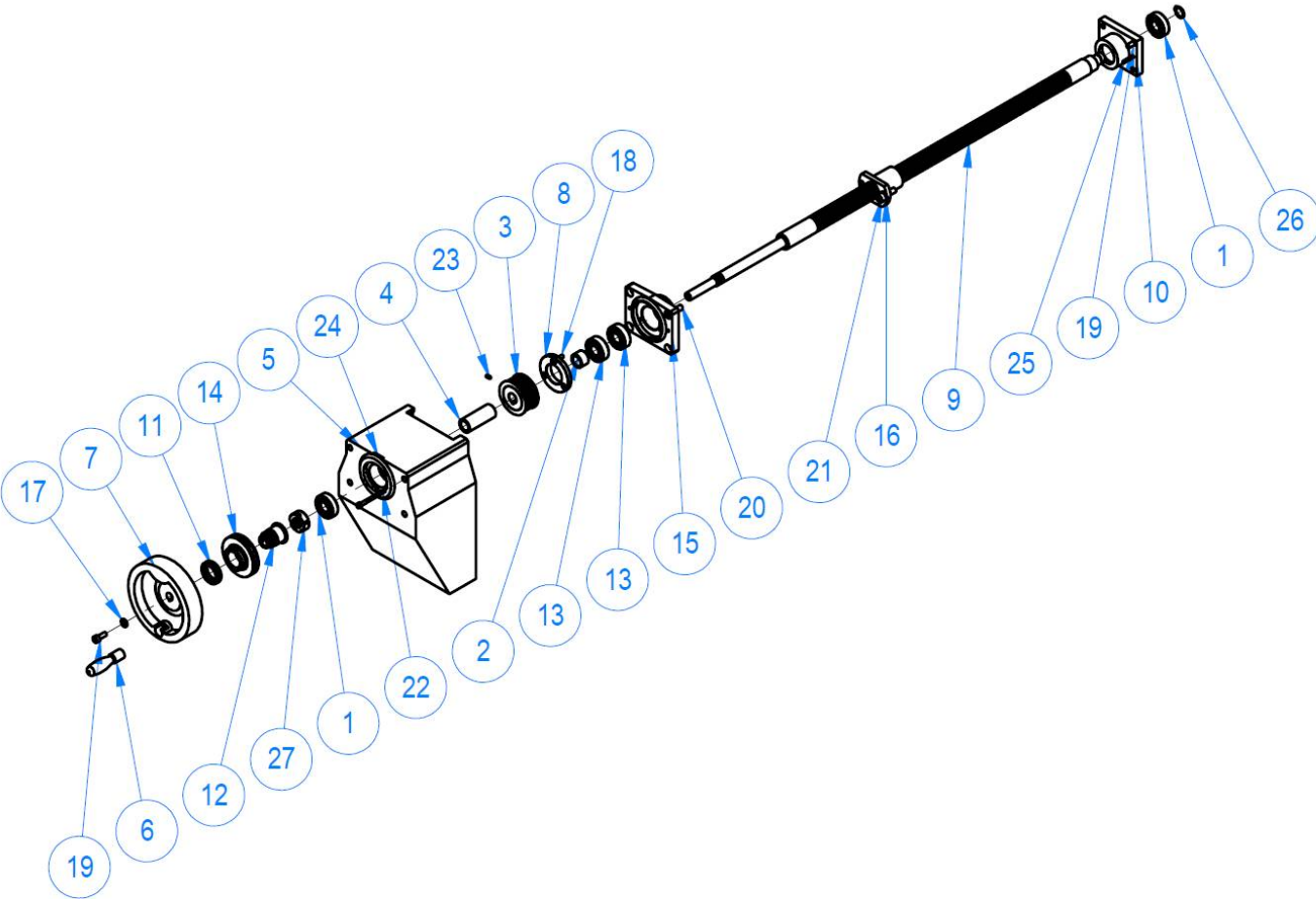


1. Assy. of Base



Item	Description	No. of Drawing
1	Y-axis Assembly A2 A3	1
2	Leveling Screw + Pad	1
3	Base	1
4	Y-axis Servo Motor Set	1

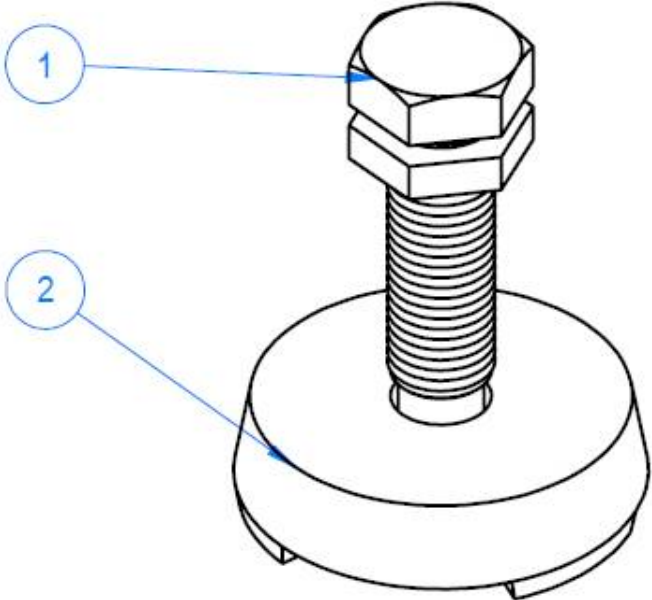
1-1: Y axis Assy.



Y axis Assy. (for A2 & A3)

Item	Part #	Description	Qty
1	B620402002N	Bearing	2
2	BD1101B006	Y-axis Bearing Sleeve 1	1
3	BD1101B007	XY Pulley	1
4	BD1101B008	Y-axis Bearing Sleeve	1
5	BD1101B009A	Y-axis Belt Cover	1
6	BD1101B013	Handle	1
7	BD1101B014	Handwheel	1
8	BD1101B016	Bearing Ring	1
9	BD1102B002	Y-axis Ball Screw	1
10	BD1102B014	Bearing Bracket (rear)	1
11	BD1102B015	Dial Holder Lock Nut	1
12	BD1102B016	Dial holder	1
13	BT02004715K	Bearing	2
14	D0004A	Dial	1
15	D0028	Bearing Bracket (front)	1
16	MA01018400	Spring Washer	2
17	MB08016005	Washer	1
18	MF11006020	Hex Socket Cap Screw	3
19	MF11008020	Screw	2
20	MF11010025	Hex Socket Cap Screw	8
21	MF11010030	Hex Socket Cap Screw	2
22	MF11106065	Hex Socket Cap Screw	4
23	MJ11005010	Set Screw	2
24	N3PT100001	Zero Plate	1
25	NN02005040	Spring Pin	4
26	TB01020120	C-ring	1
27	YF02015038	Bearing Nut	1

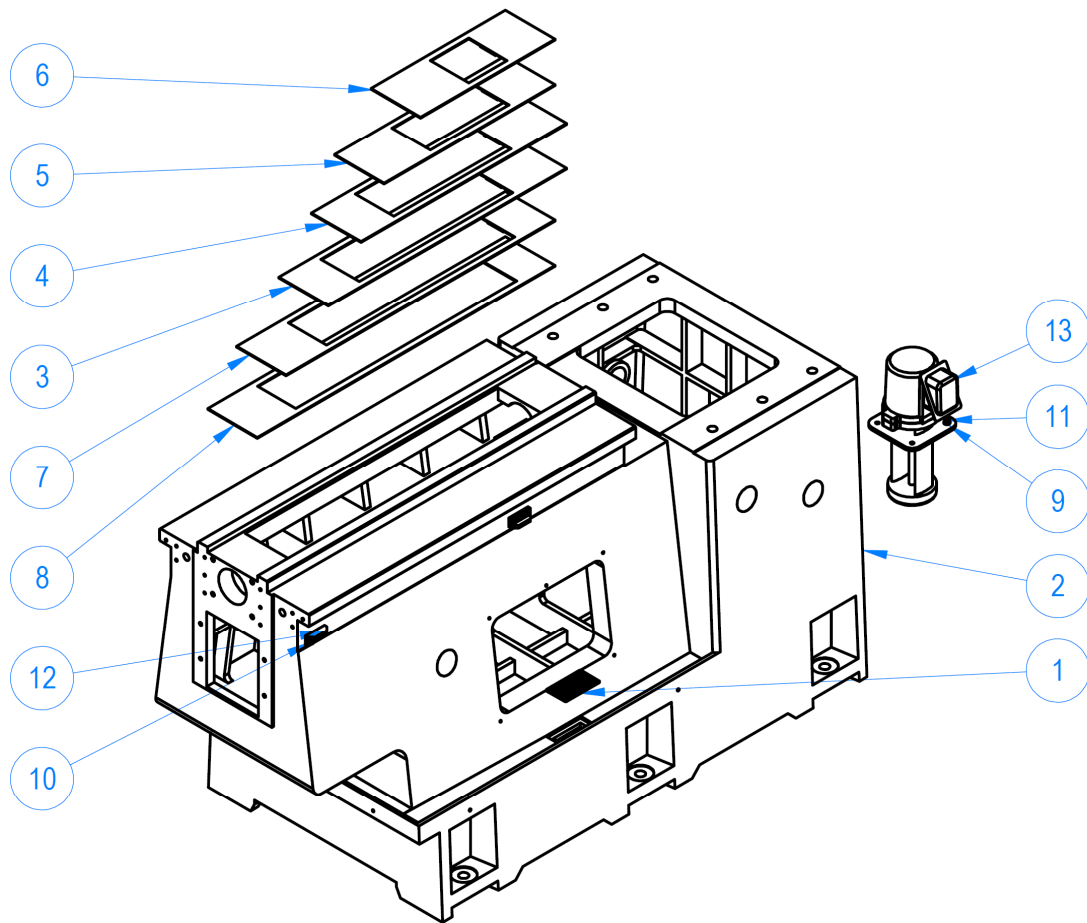
1-2: Leveling Pad & Screws



Leveling Pad & Screws

Item	Part #	Description	Qty
1	FC0112	Leveling Screw	1
2	FC0114	Leveling Pad	1

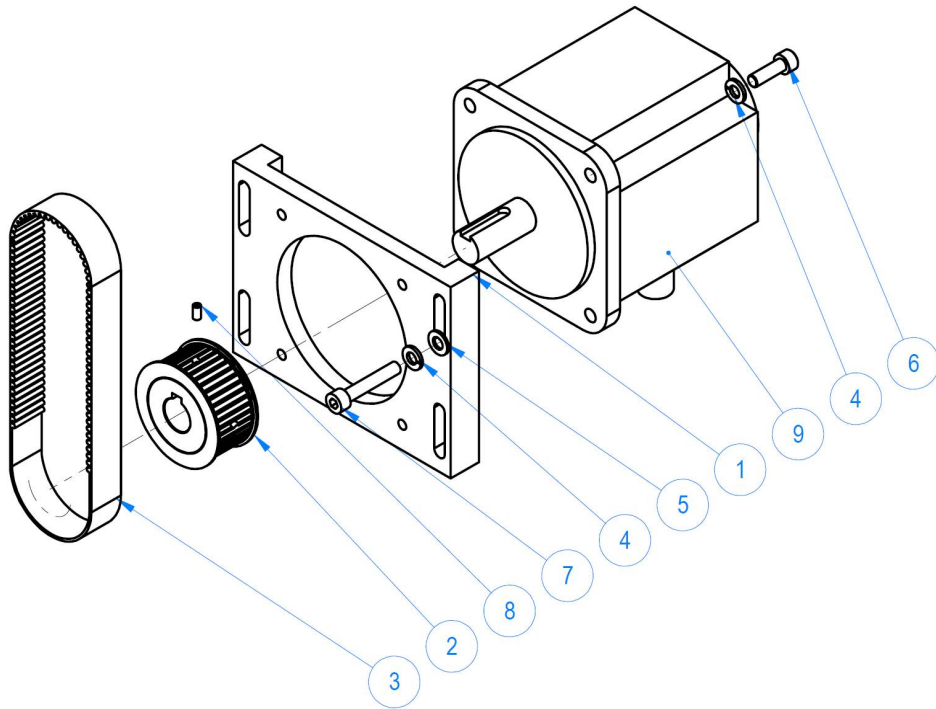
1-3 Base



Base for A2 & A3

Item	Part #	Description	Qty
1	BD1102E003	Strainer Net	2
2	BD1102B001C	Base	1
3	BD1102B007	Chip Guard (L)	1
4	BD1102B008	Chip Guard (M)	1
5	BD1102B009	Chip Guard (S)	1
6	BD1102B010	Chip Guard (XS)	1
7	BD1102B011	Chip Guard (XL)	1
8	BD1102B012	Chip Guard (XXL)	1
9	MA00612200	Spring Washer	2
10	MF11005016	Hex Socket Cap Screw	4
11	MF11006020	Hex Socket Cap Screw	2
12	NC0020	Dog	2
13	Z540200	Coolant Pump	1

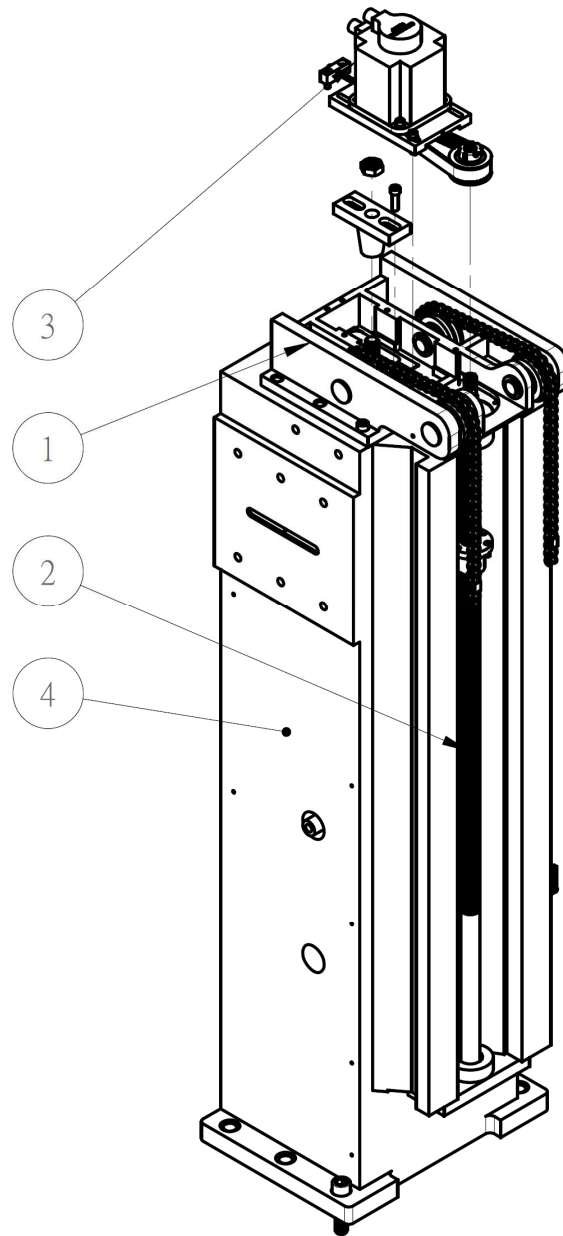
1.4 Y axis Servo Motor Set



Y axis Servo Motor Set

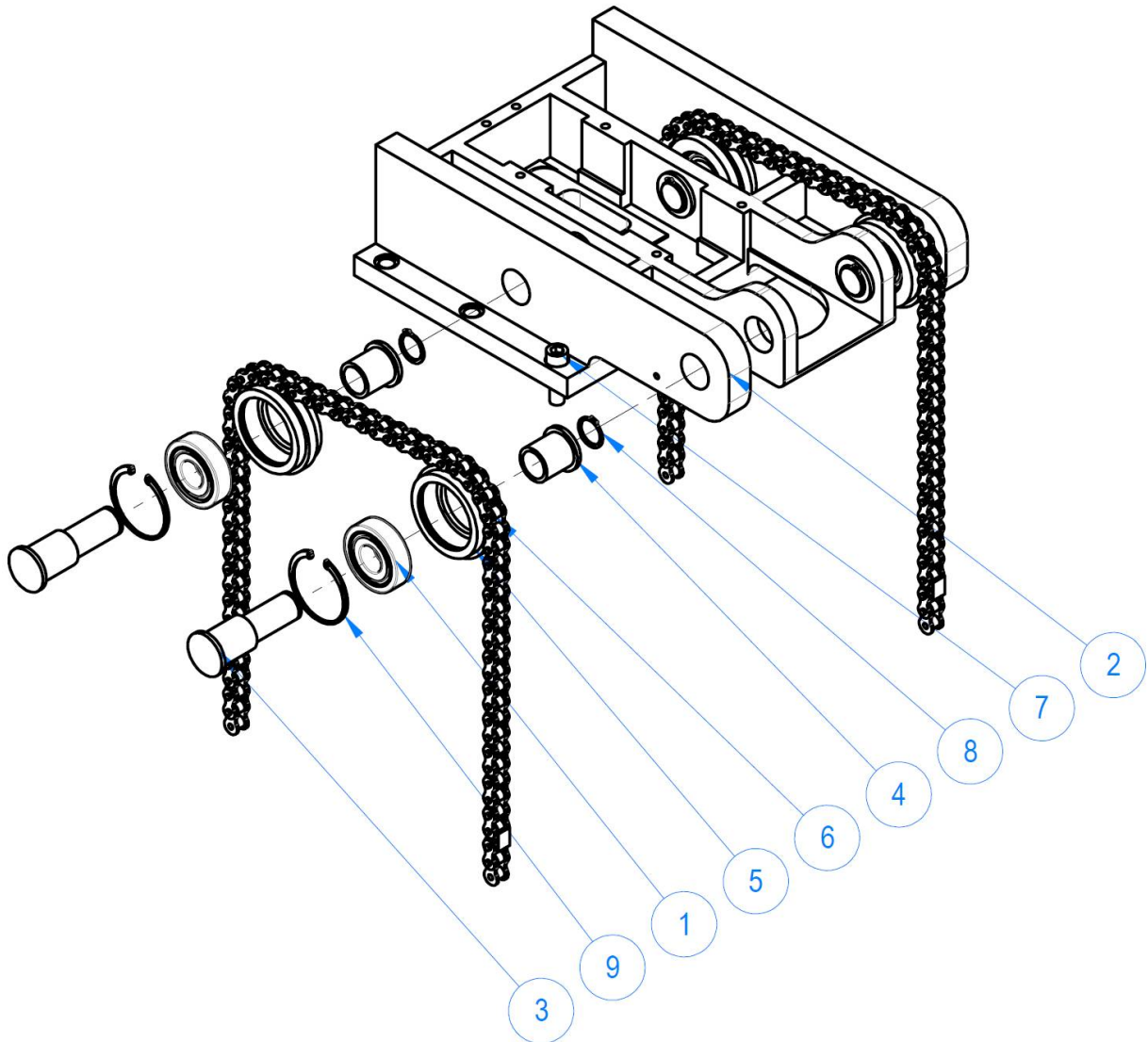
Item	Part #	Description	Qty
1	BD1101B015	Y axis Servo Motor Bracket	1
2	BD1101B022	Pulley 42T	1
3	LM50540025	Belt 5M	1
4	MA00815405	Spring Washer M8	8
5	MB08016005	Washer M8	4
6	MF11008025	Hex Socket Cap Screw	4
7	MF11008045	Hex Socket Cap Screw	4
8	MJ11005010	Set Screw	2
9	Servo Motor 1kw	Servo Motor 1KW	1

2. Assy. of Column



Item	Description	No. of drawing
1	Counter Balance Set	1
2	Z axis Assy.	1
3	Z axis Servo Motor Set	1
4	Column (High)	1

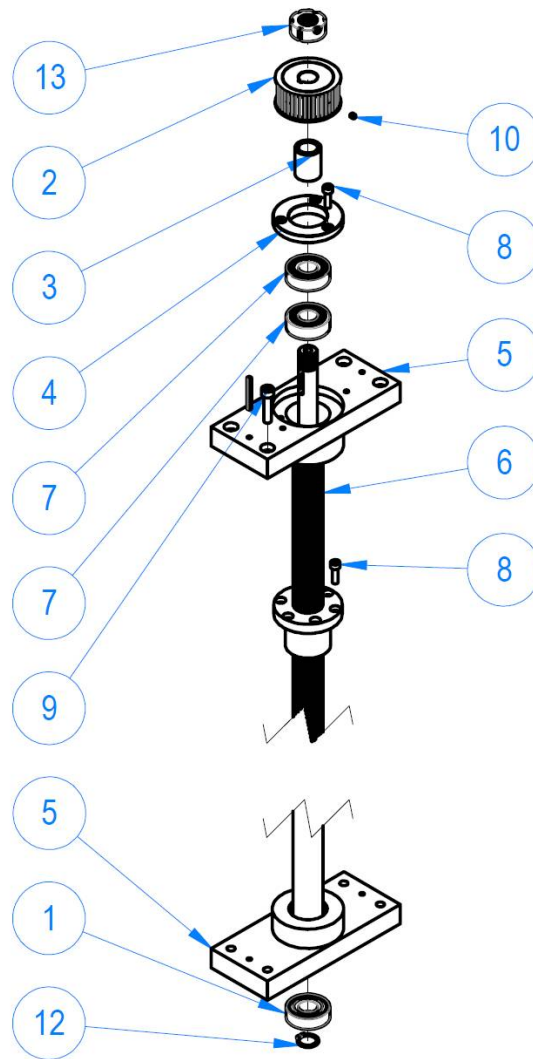
2-1. Z axis Assy.



Counter Balance Set

Item	Parts #	Description	QTY
1	B630502502K	Bearing	4
2	BD1101C003	Balancing Base	1
3	BD1101C004	Shaft	4
4	BD1101C005	Sprocket Bushing	4
5	BD1101C006	Balancing Pulley	4
6	BD1103C021	Chain	2
7	MF11012040	Hex Socket Flat Head Cap Screw	6
8	TB01024120	C Ring	4
9	TB02062200	Snap Ring	4

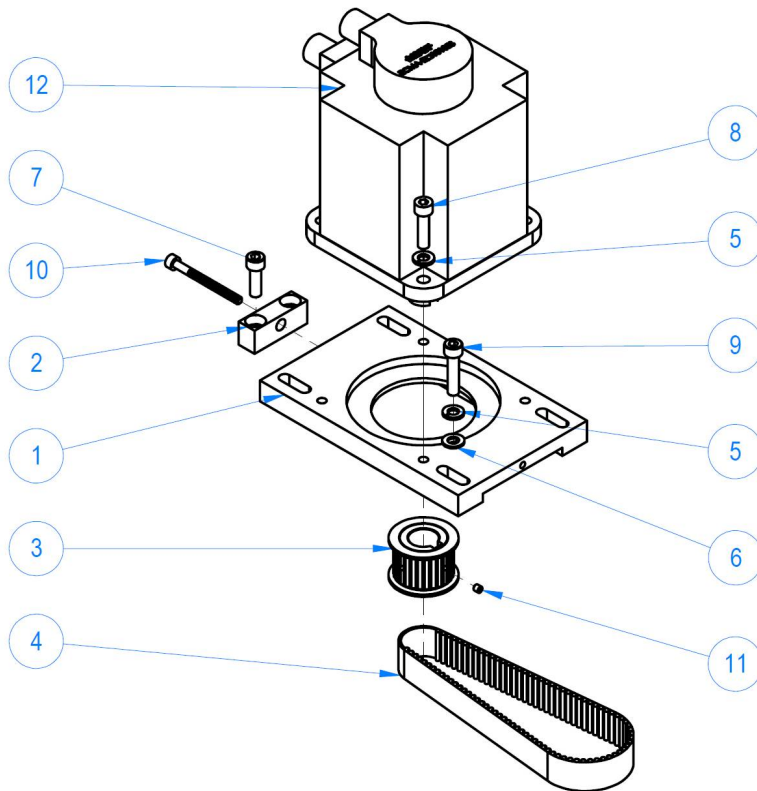
2-2. Z axis Assy.



Z axis Assy. (A2 & A3)

Item	Parts#	Description	QTY
1	B620402002N	Bearing	1
2	BD1101B007	Pulley	1
3	BD1101C013	Bearing Adapter Sleeve	1
4	BD1101B016	Bearing Ring	1
5	BD1102C003	Servo Motor Bracket (Z axis)	2
6	BD1102C038	Ballscrew (Z axis)	1
7	BT02004715K	Bearing	2
8	MF11006020	Hex Socket Flat Head Cap Screw	9
9	MF11008035	Hex Socket Flat Head Cap Screw	8
10	MJ11005005	Hex socket headless screw	2
11	NN02005040	Spring Pin	4
12	TB01020120	Retaining Ring	1
13	YF02015038	Nut (M20xP1.5)	1

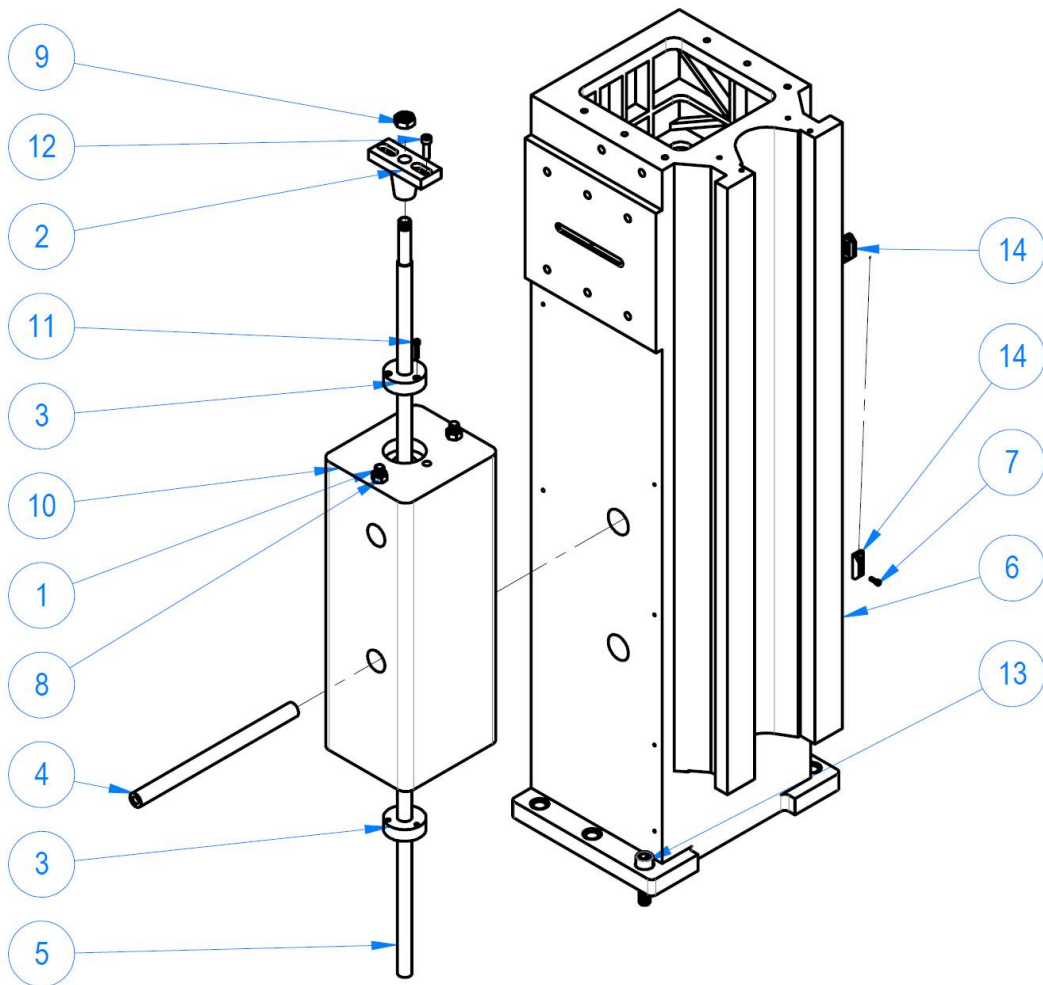
2-3 Z axis Servo Motor Set



Z axis Servo Motor Set (A2 & A3)

Item	Parts #	Description	QTY
1	BD1101C007	Servo Motor bracket (Z axis)	1
2	BD1101C009	Adjusting plate for belt	1
3	BD1101B051	Pulley 42T	1
4	LM50505025	Belt 5M	1
5	MA00815405	Spring Washer M8	8
6	MB08016005	Washer	4
7	MF11008025	Hex Socket Flat Head Cap Screw	2
8	MF11008030	Hex Socket Flat Head Cap Screw	4
9	MF11008035	Hex Socket Flat Head Cap Screw	4
10	MF11106065	Hex Socket Flat Head Cap Screw	1
11	MJ11005005	Hex socket headless screw	2
12	Delta 1kw	Servo Motor	1

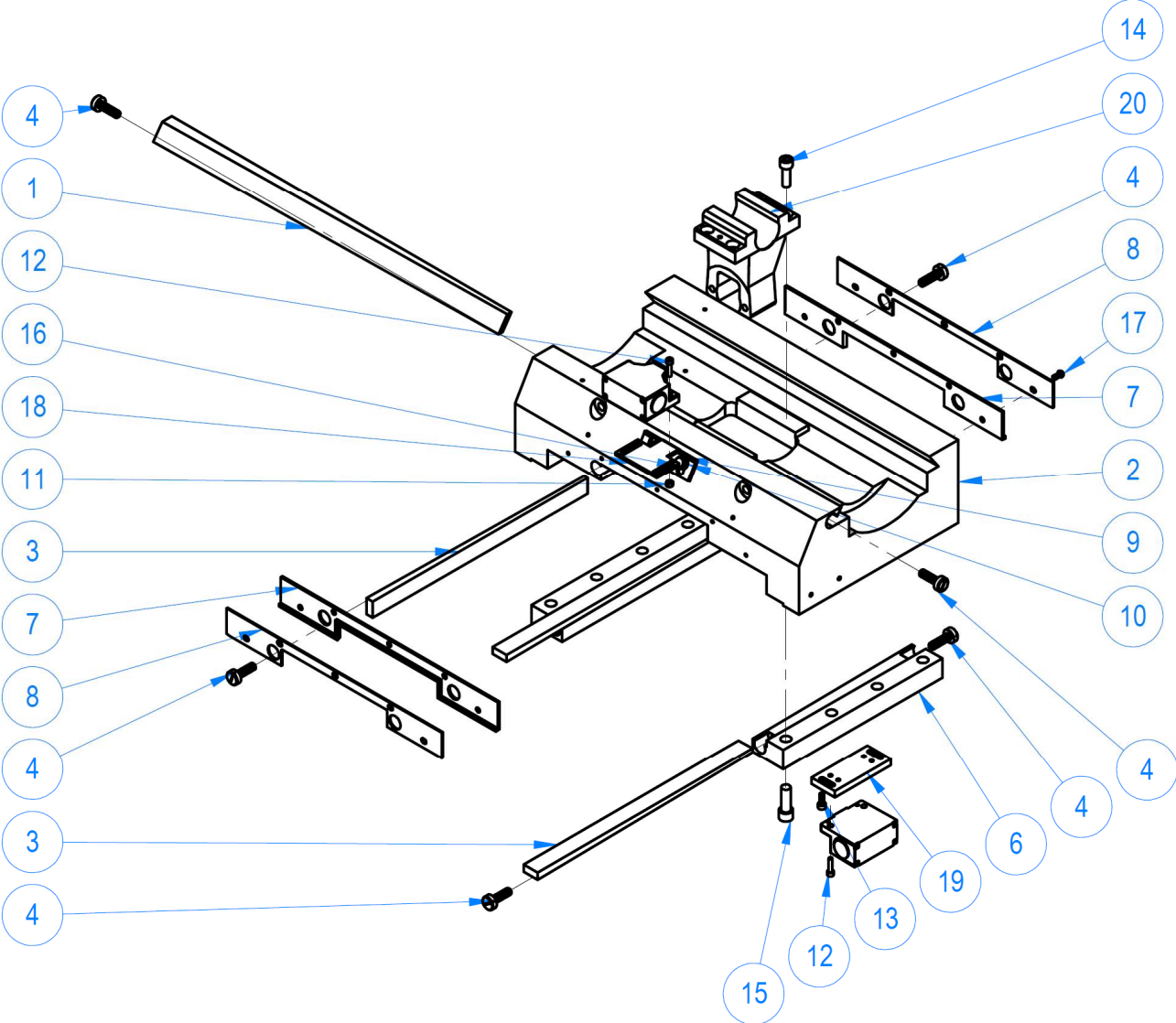
2-4 Column



Column (for CNC Head)

Item	Parts #	Description	QTY
1	BD1101H005	Balancing Bolt	2
2	BD1101C008A	Fix Plate for Balancing Rod	1
3	BD1101C014	Sleeve for Balancing Rod	2
4	BD1101C021	Balancing Shaft	1
5	BD1102C039	Balancing Rod	1
6	BD1102C035	Column	1
7	MF11005016	Hex Socket Flat Head Cap Screw	1
8	ME11016200	Hex Nut	2
9	ME11022250	Nut	1
10	BD1102C004A	Balancing Block	4
11	MF11006030	Hex Socket Flat Head Cap Screw	6
12	MF11010035	Hex Socket Flat Head Cap Screw	2
13	MF11120080	Hex Socket Flat Head Cap Screw	6
14	NC0020	Dog	2

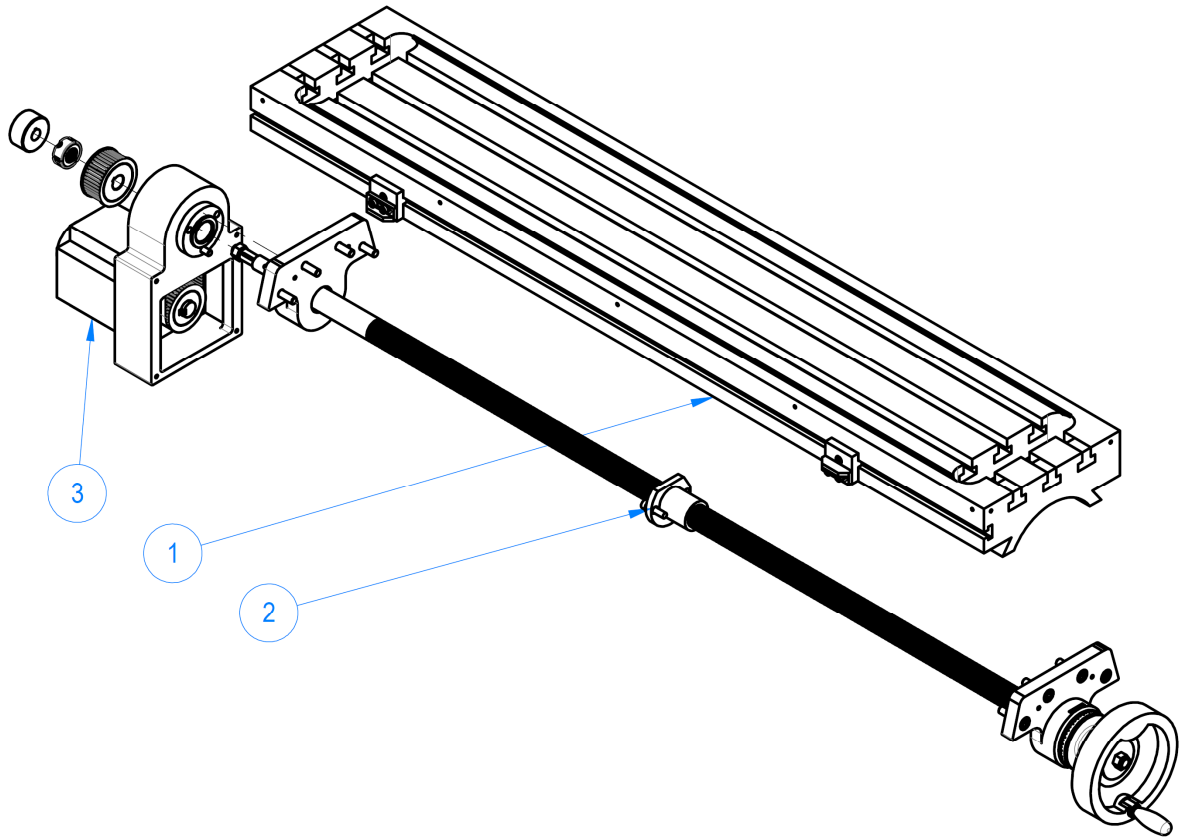
3. Assy. of Saddle



Assy. Saddle (A2)

Item	Part#	Description	Qty
1	BD1101S003	Gib	1
2	C0052D	Saddle (510mm)	1
3	BD1102S006	Gib	3
4	C0041	Screws	8
5	FC0025	Sliding Rail	1
6	FC0027	Sliding Rail	1
7	FC0044	Wiper (front & rear)	2
8	FC0045	Wiper Holder (front & rear)	2
9	MA00815405	Spring Lock Washer M8	1
10	MB08016005	Washer	1
11	ME11005080	Hex Nut	2
12	MF11005020	Hex Socket Flat Head Cap Screw	4
13	MF11006016	Hex Socket Flat Head Cap Screw	4
14	MF11010030	Hex Socket Flat Head Cap Screw	4
15	MF11012035	Hex Socket Flat Head Cap Screw	8
16	MG11008020	Hex screw	1
17	MQ11005012	Cross round head tapping screw	10
18	NC0032A	Plate for Limit Switch	1
19	NC0040	Limit Switch Bracket (Y axis)	1
20	ND0022	York for XY axis ballscrew	1

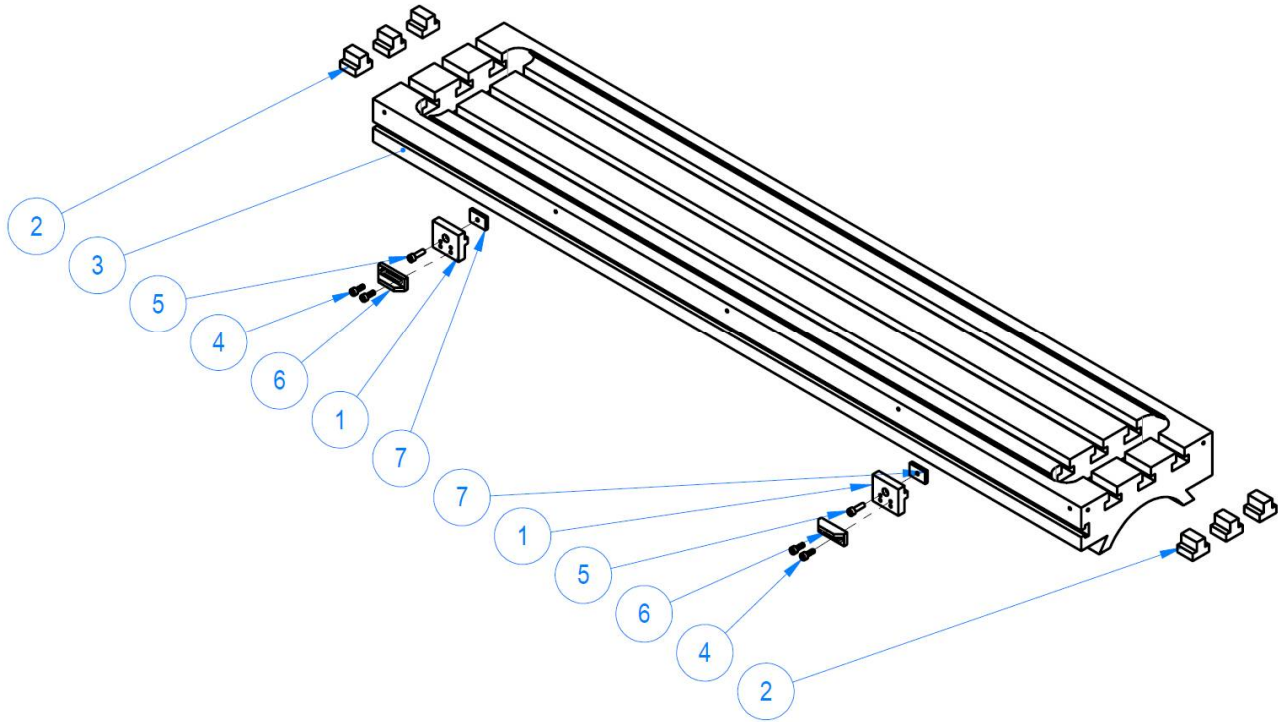
4. Assy. Table



Assy. Table

Item	Part#	Description	Qty
1	BD1102T901	Table	1
2	BD1102T902	X-axis assy.	1
3	BD1102T903	X-axis servo motor set	1

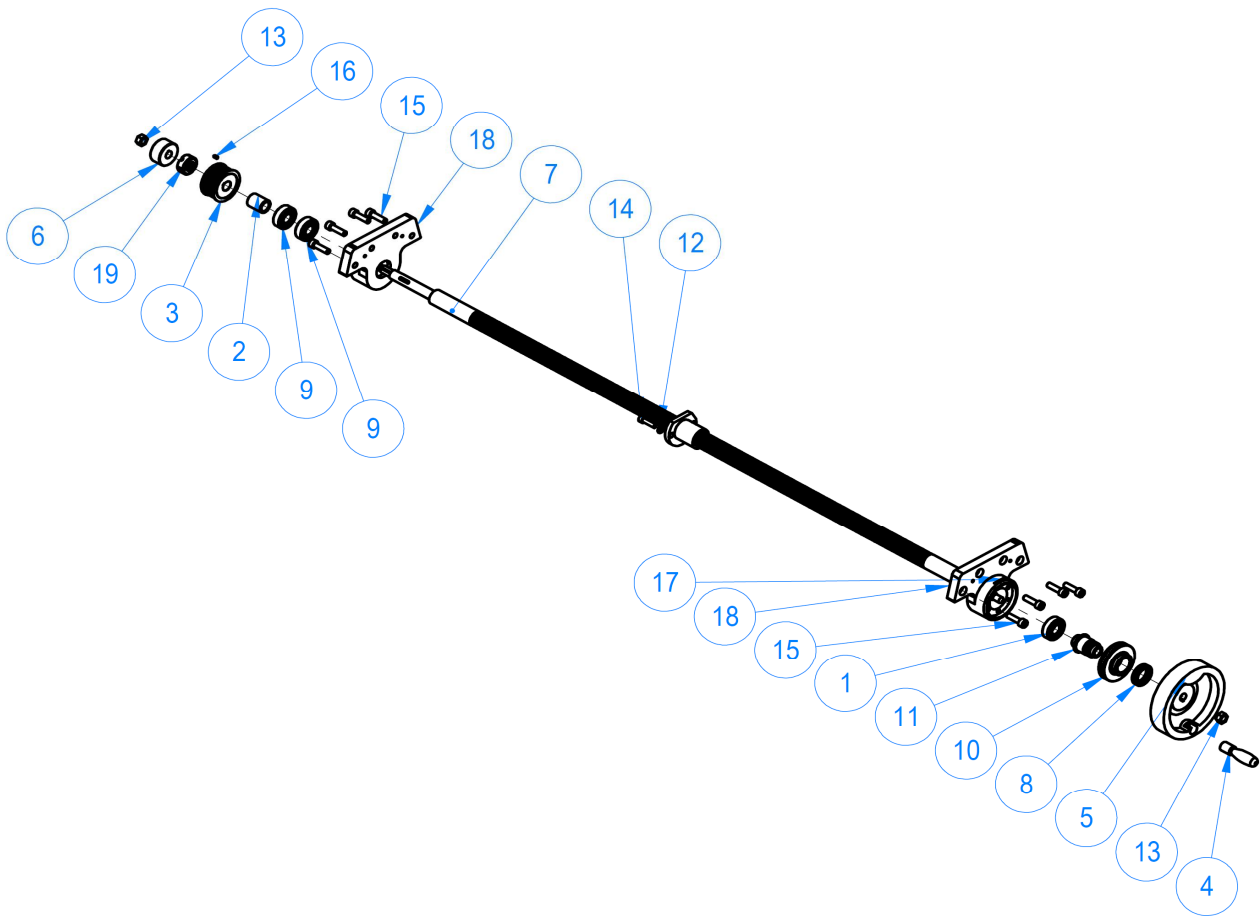
4-1 Table



Work Table 10" x 54"

Item	Part#	Description	QTY
1	BD1102T005	Fix Plate	2
2	D0029A	Chock Plug	6
3	FC0023E	Table (10x54)	1
4	MF11006016	Hex Socket Flat Head Cap Screw	4
5	MF11006020	Hex Socket Flat Head Cap Screw	2
6	NC0020	Dog	2
7	NC0035	Fix Plate (small)	2

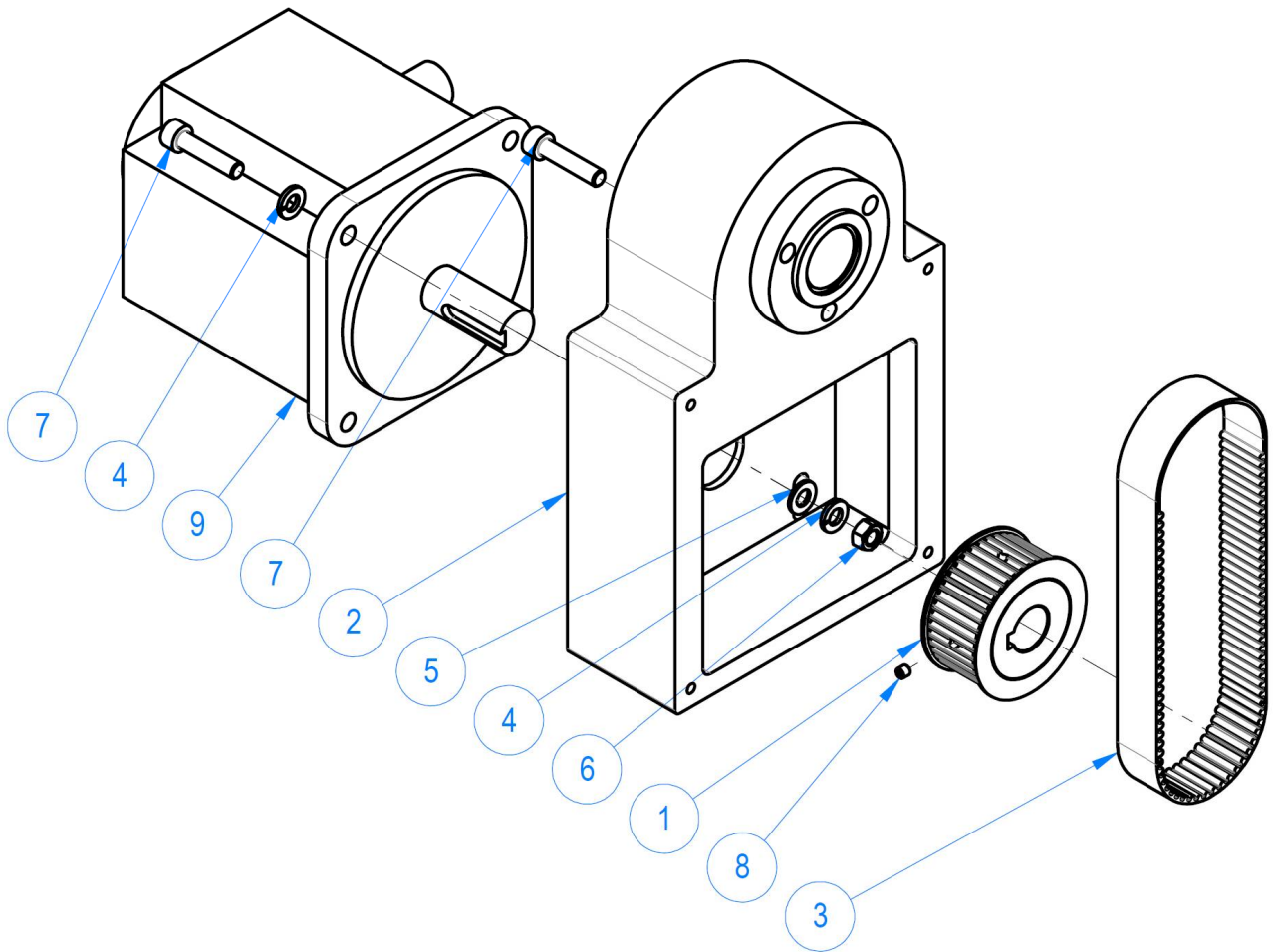
4-2 X axis assy.



X-axis assy

Item	Part#	Description	QTY
1	B620402002N	Bearing	1
2	BD1101C013	Bearing spacer	1
3	BD1101B007	Pulley (XY)	1
4	BD1101B013	Handle	1
5	BD1101B014	Handlewheel	1
6	BD1101T032	Handlewheel	1
7	BD1102T002	X-axis Ball Screw	1
8	BD1102B015	Dial Lock Nut	1
9	BT02004715K	Bearing	2
10	D0004A	Dial	1
11	D0005	Dial Holder	1
12	MA00815405	Spring Washer M8	1
13	ME22008020	Hex Nut	2
14	MF11008030	Hex Socket Flat Head Cap Screw	2
15	MF11010035	Hex Socket Flat Head Cap Screw	8
16	MJ11005010	Set Screw	2
17	N3PT100001	Zero Plate	1
18	ND0011	Pin	2
19	YF02015038	Nut (YSF-M20XP1.5)	1

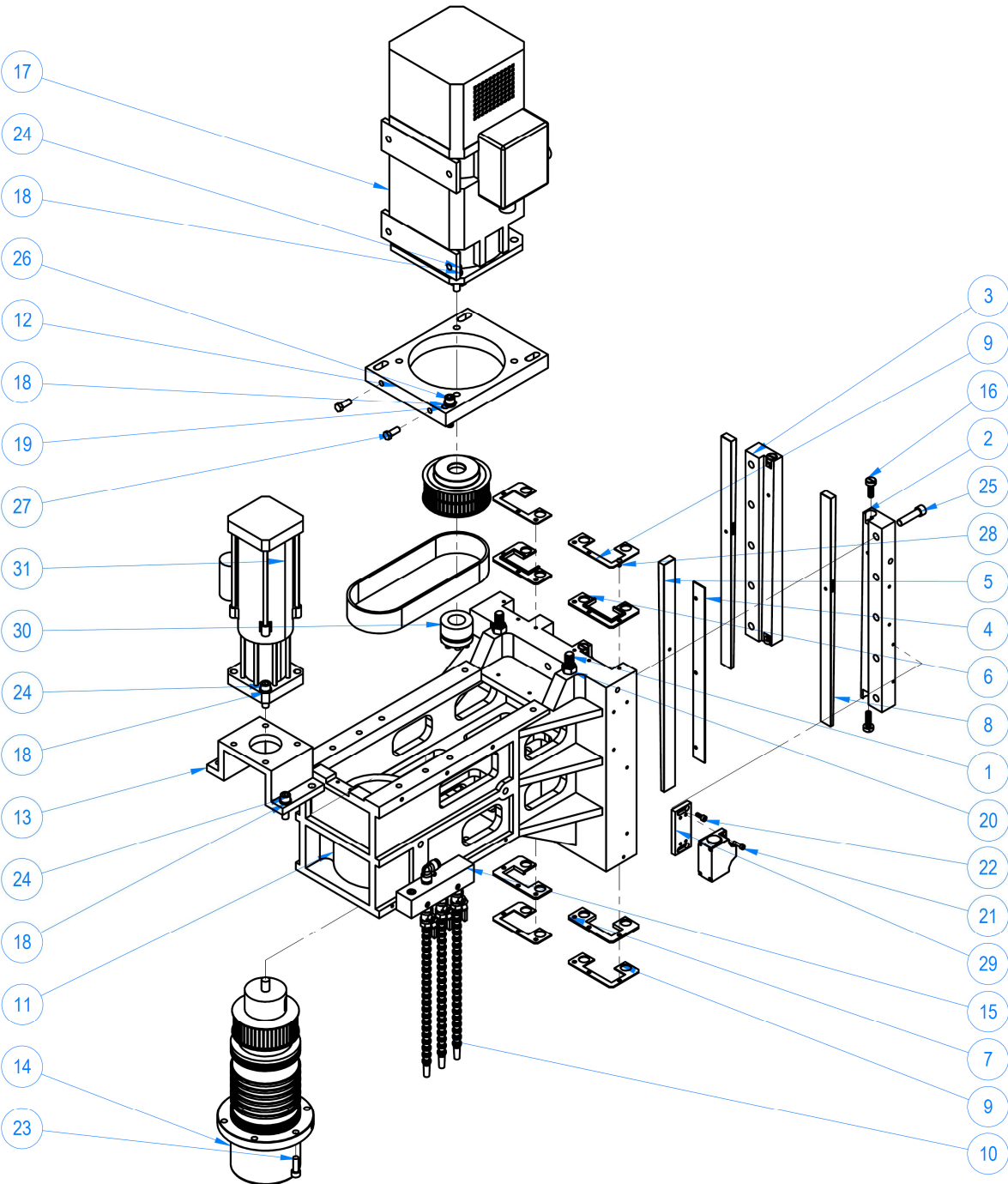
4-3 X axis servo motor set



X axis Servo Motor Set

Item	Part#	Description	Qty
1	BD1101B022	Pulley (42T)	1
2	BD1102T009	X-axis Servo Motor Bracket	1
3	LM50500025	Belt 5M	1
4	MA00815405	Spring Lock Washer M8	8
5	MB08016005	Washer	4
6	ME11008125	Hex nut	4
7	MF11008035	Hex Socket Flat Head Cap Screw	7
8	MJ11005005	Hex socket headless screw	2
9	Delta Servo Motor 1kw	Servo Motor (1KW)	1

5. Assy. Mill Head



Assy. Mill Head (7.5HP)

Item	Part#	Description	Qty
1	BD1101H005	Balancing Bolt	2
2	BD1102H002	Sliding Rail (Right)	1
3	BD1102H003	Sliding Rail (Left)	1
4	BD1102H004	Gib plate	1
5	BD1102H005	Gib	1
6	BD1102H006	Wiper (Right)	2
7	BD1102H007	Wiper (Left)	2
8	BD1102H008	Gib	2
9	BD1102H009	Wiper holder	4
10	BD1102H010	Nozzle	1
11	BD1102H015	Spindle Head	1
12	BD1102H016	Servo Motor Bracket	1
13	BD1102H017	Bracket	1
14	BD1102H020	Spindle	1
15	BD1102H021	Coolant Hose Bracket	1
16	C0041	Gib Adjusting Screw	6
17	EP40100055	Spindle Motor	1
18	MA01222000	Spring Washer	16
19	MB12022008	Washer	4
20	ME11016200	Hex Nut	2
21	MF11005020	Hex Socket Flat Head Cap Screw	2
22	MF11006016	Hex Socket Flat Head Cap Screw	2
23	MF11010030	Hex Socket Flat Head Cap Screw	6
24	MF11012040	Hex Socket Flat Head Cap Screw	12
25	MF11012050	Hex Socket Flat Head Cap Screw	10
26	MF11012055	Hex Socket Flat Head Cap Screw	4
27	MG11010025	Hex Screw	2
28	MQ11005012	Philip Screw	12
29	NC0040	Limit Switch Bracket	1
30	SD03206042	Lock Nut	1
31	Z551008	Pneumatic Boosting Cylinder	1