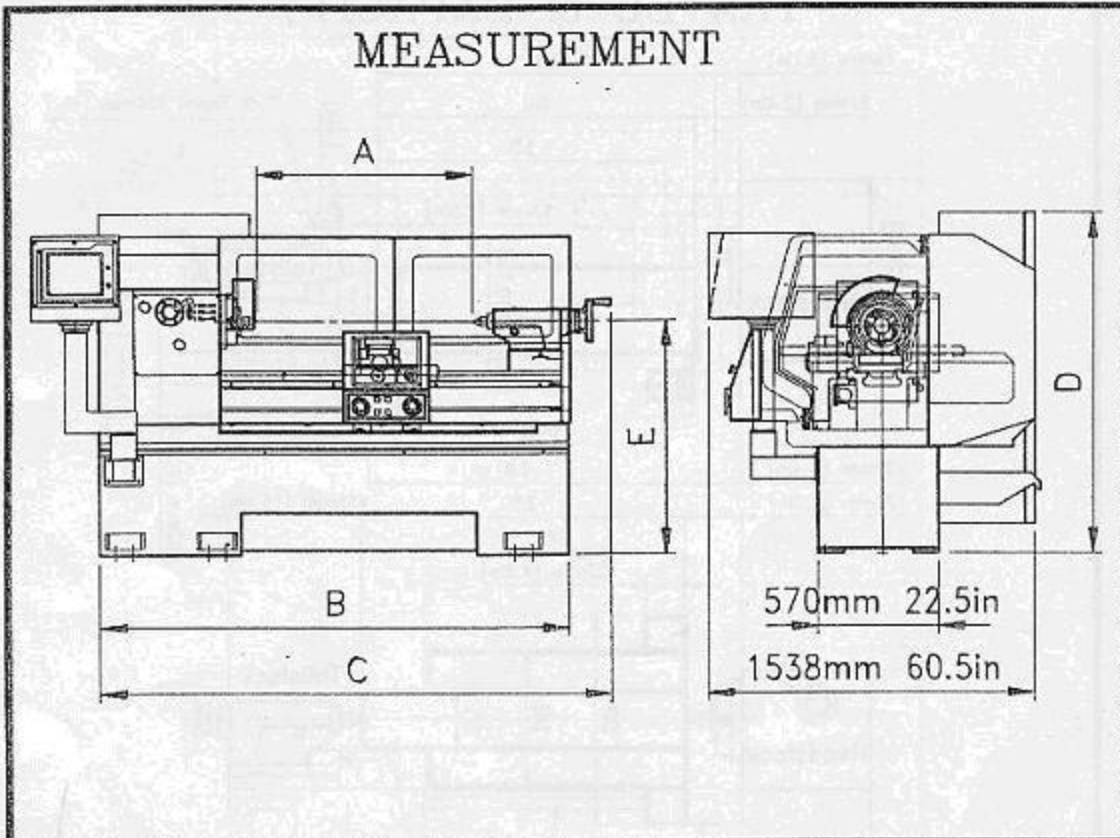
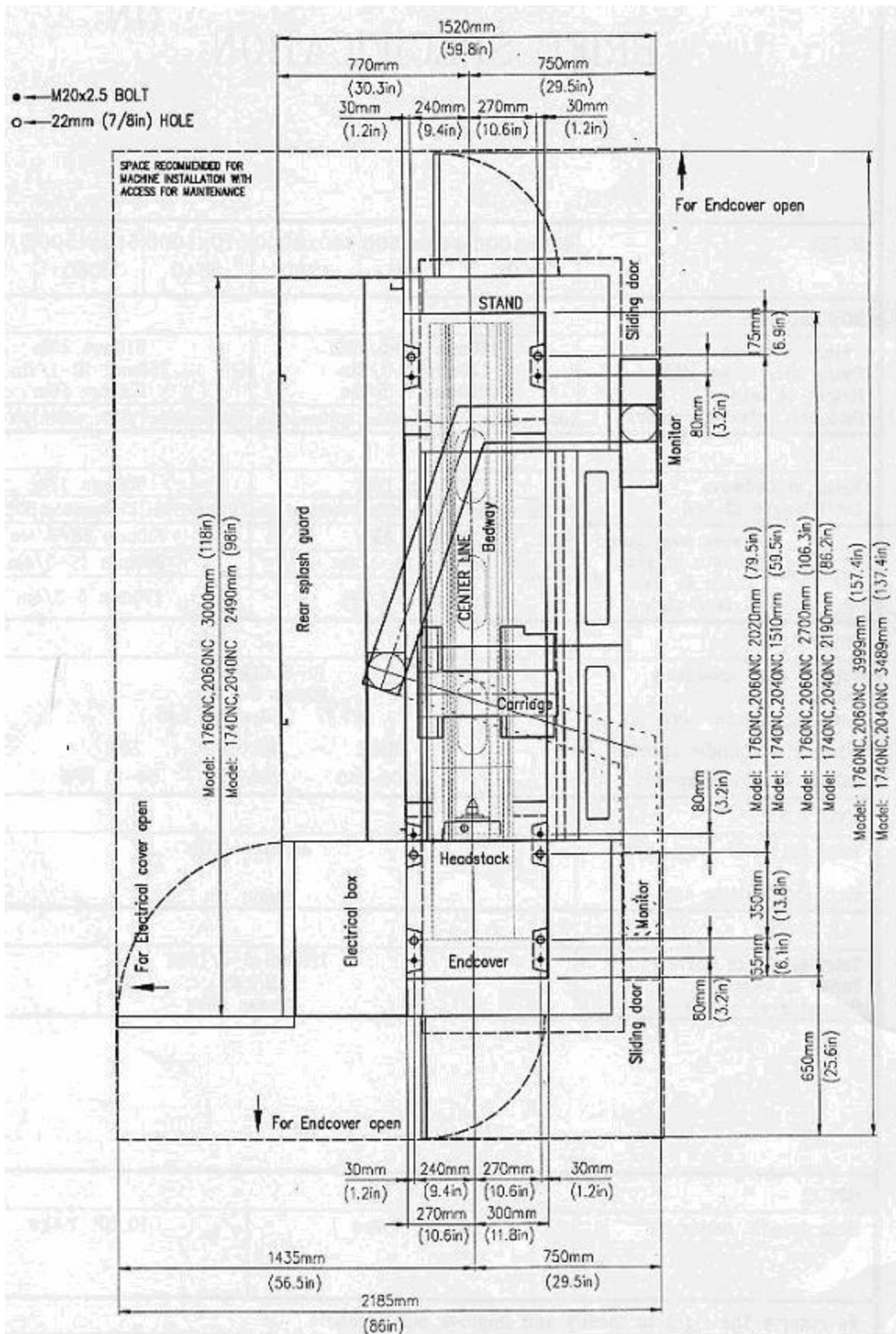


# SPECIFICATION AND ACCESSORIES



MODEL	A	B	C	D	E
440x1000 1740	1000mm 40in	2190mm 86in	2390mm 94in	1610mm 63in	1070mm 42in
440x1500 1760	1500mm 60in	2700mm 106in	2900mm 114in	1610mm 63in	1070mm 42in
440x2000 1780	2000mm 80in	3210mm 126in	3410mm 134in	1610mm 63in	1070mm 42in
510x1000 2040	1000mm 40in	2190mm 86in	2390mm 94in	1610mm 63in	1105mm 44in
510x1500 2060	1500mm 60in	2700mm 106in	2900mm 114in	1610mm 63in	1105mm 44in
510x2000 2080	2000mm 80in	3210mm 126in	3410mm 134in	1610mm 63in	1105mm 44in



FOUNDATION PLAN  
Model : 1740 NC - 2040 NC / 1760 NC - 2060 NC

