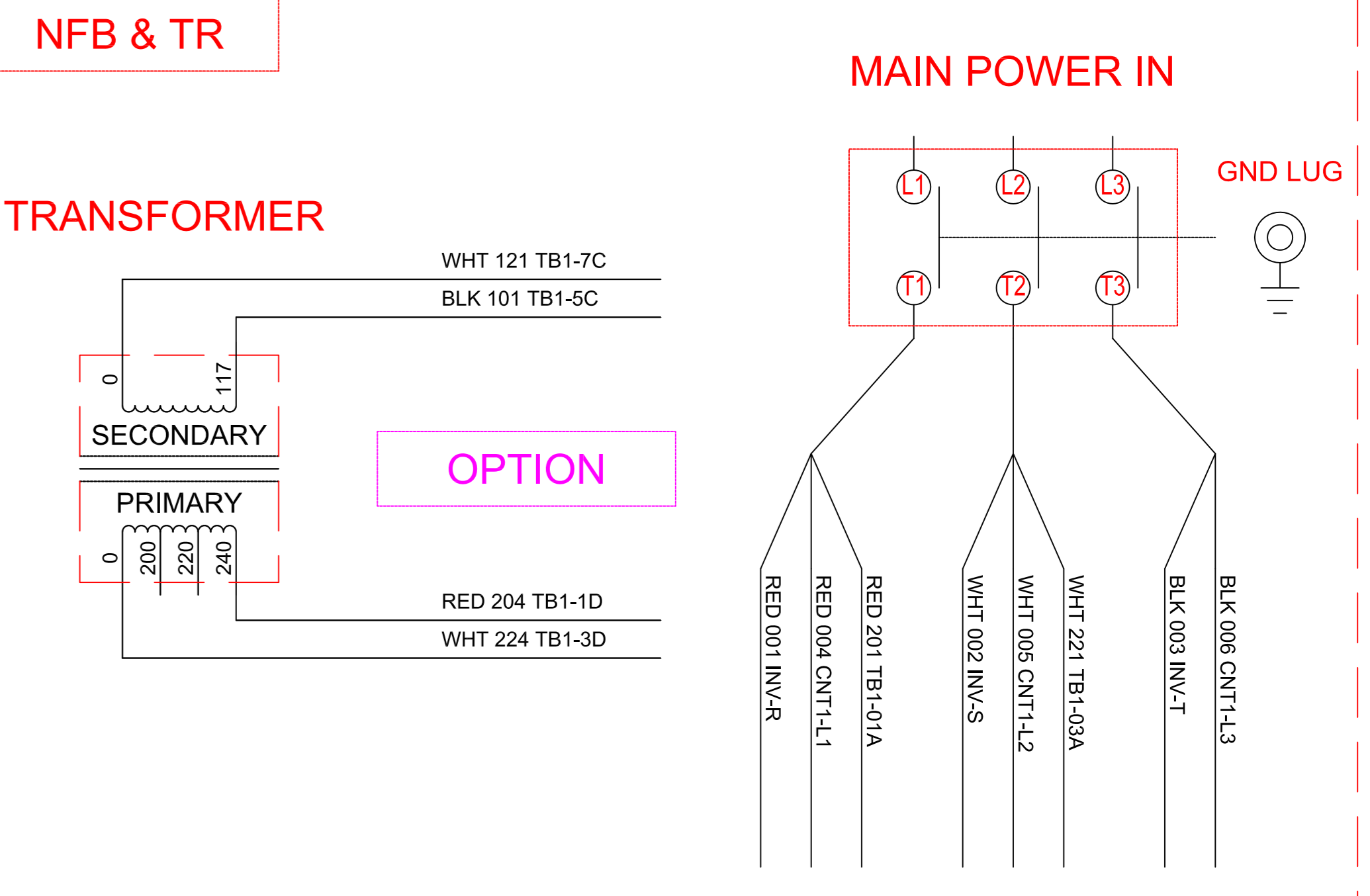
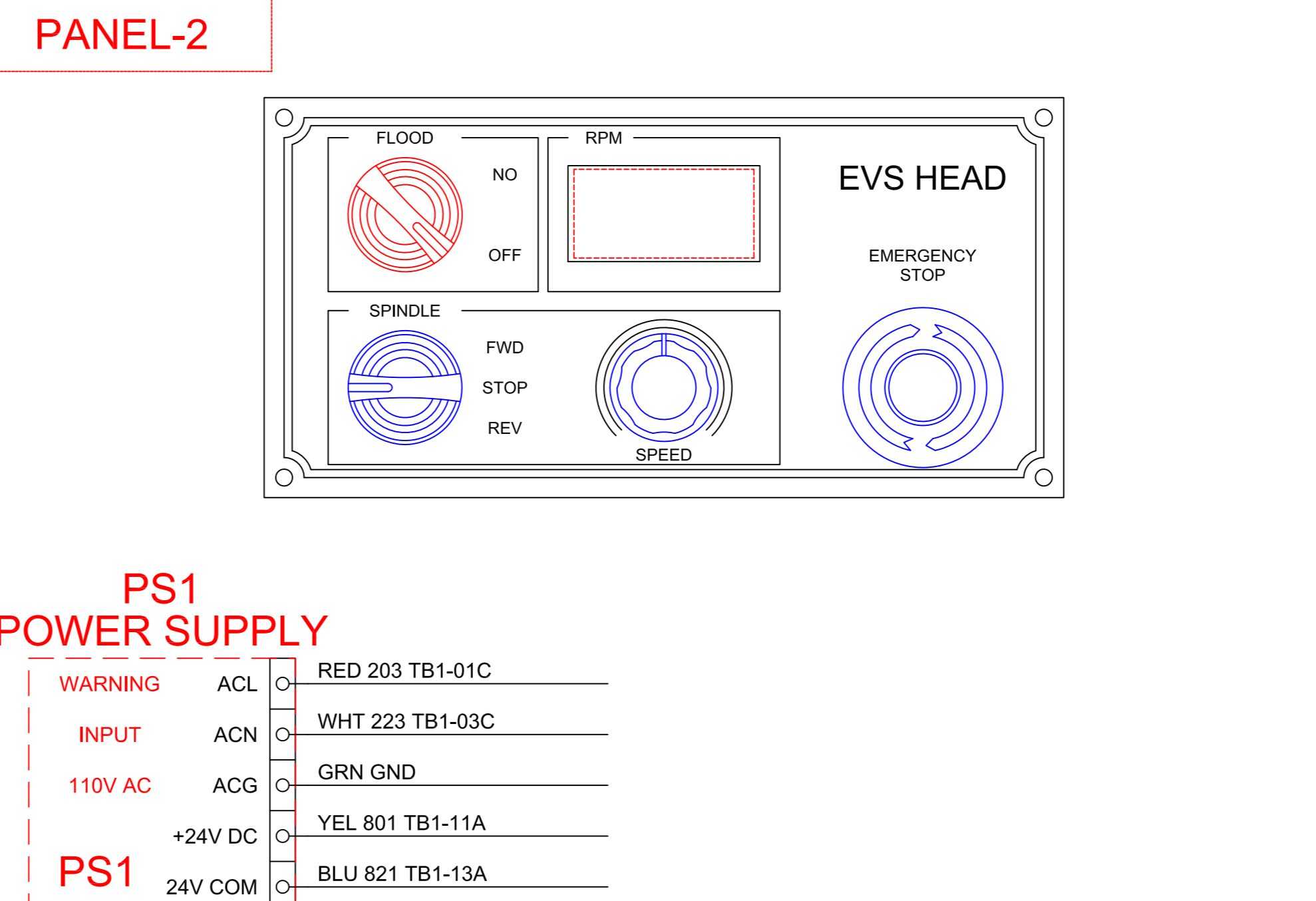
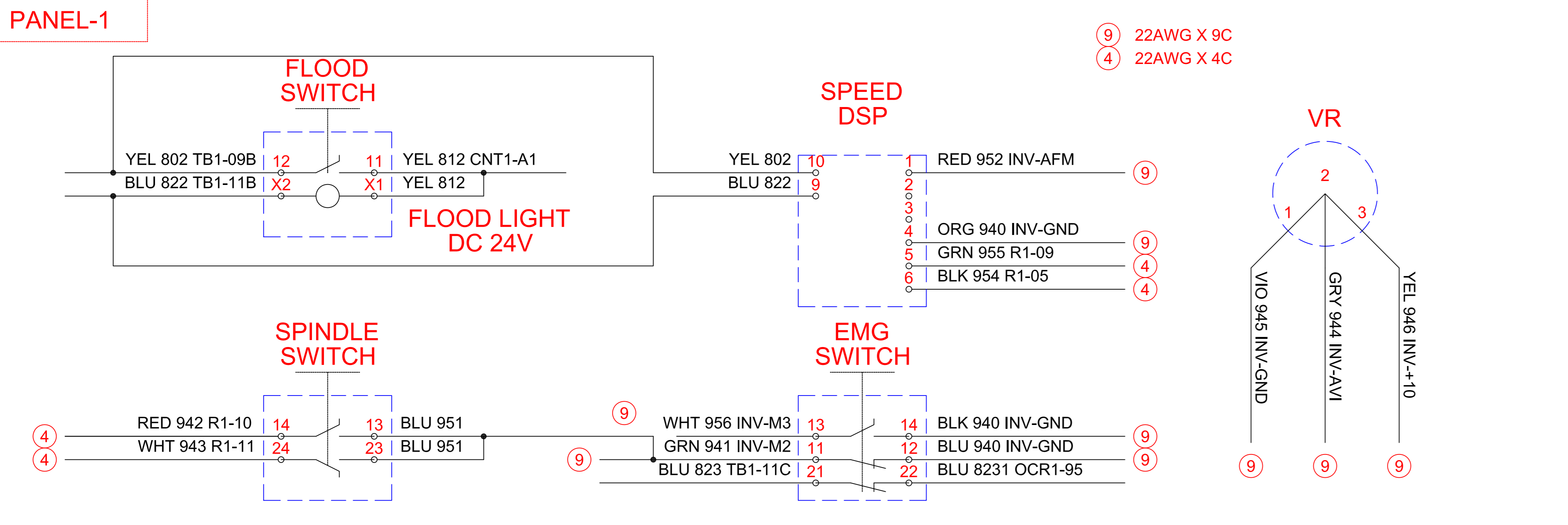


A

B

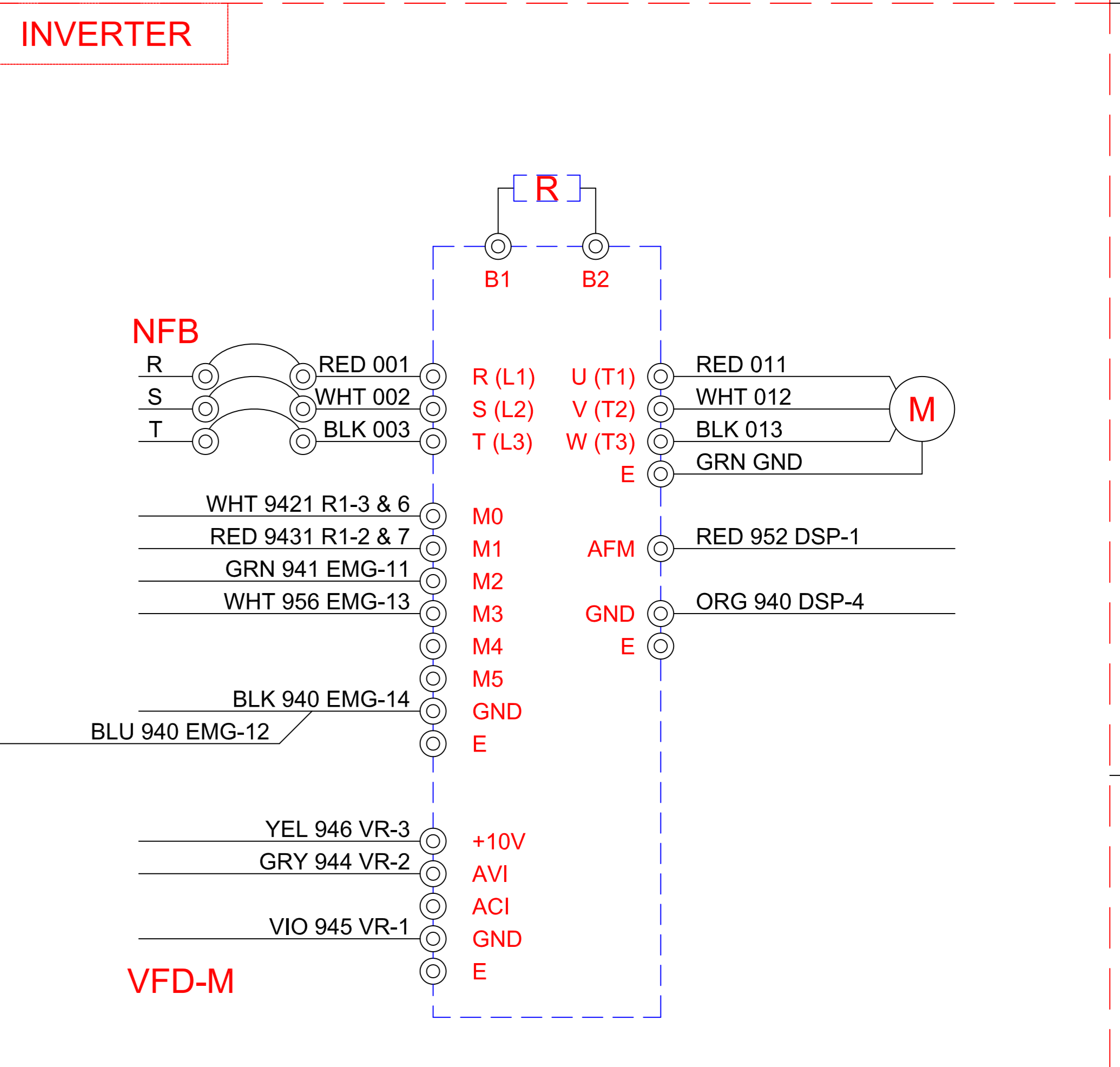
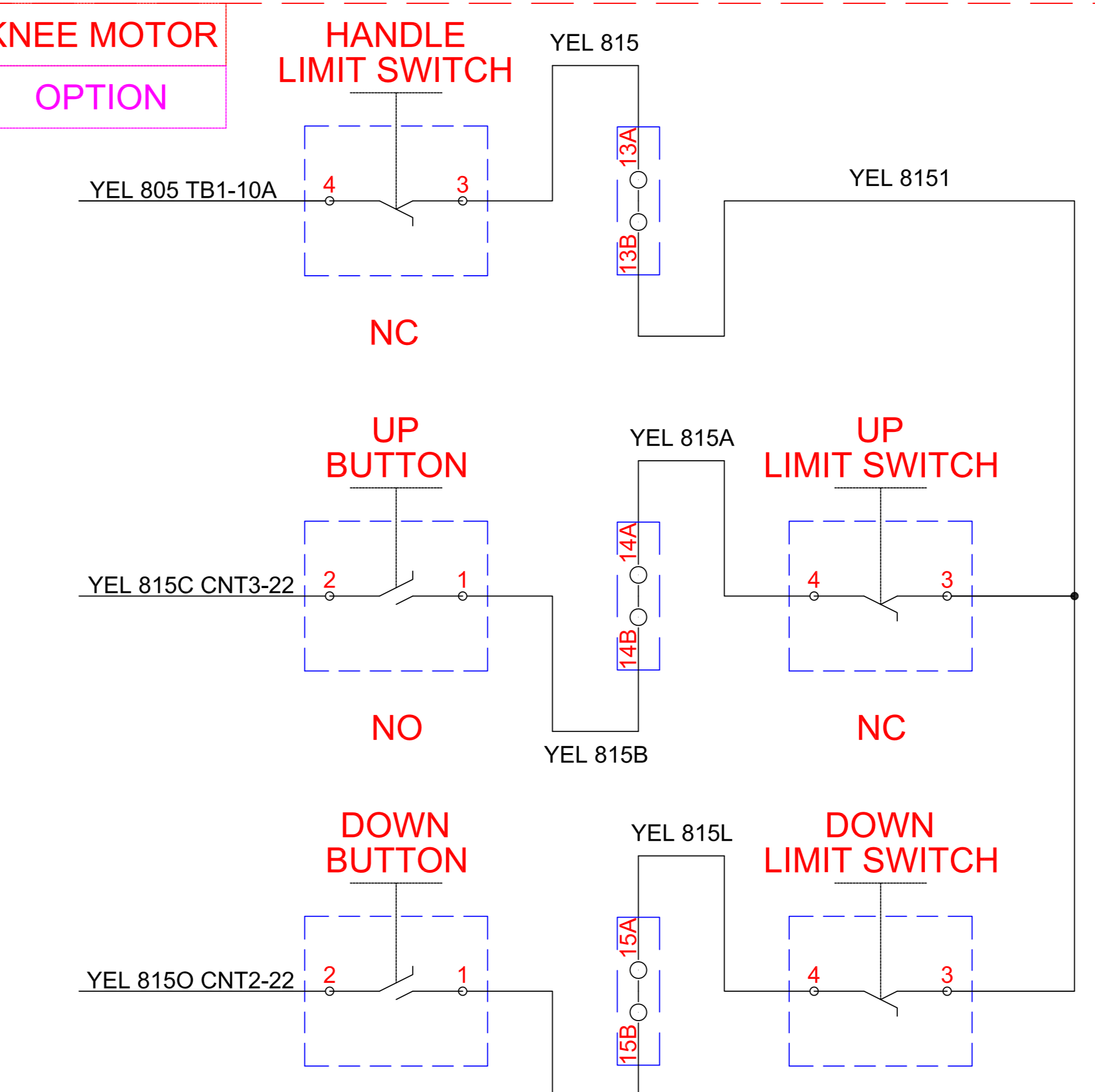
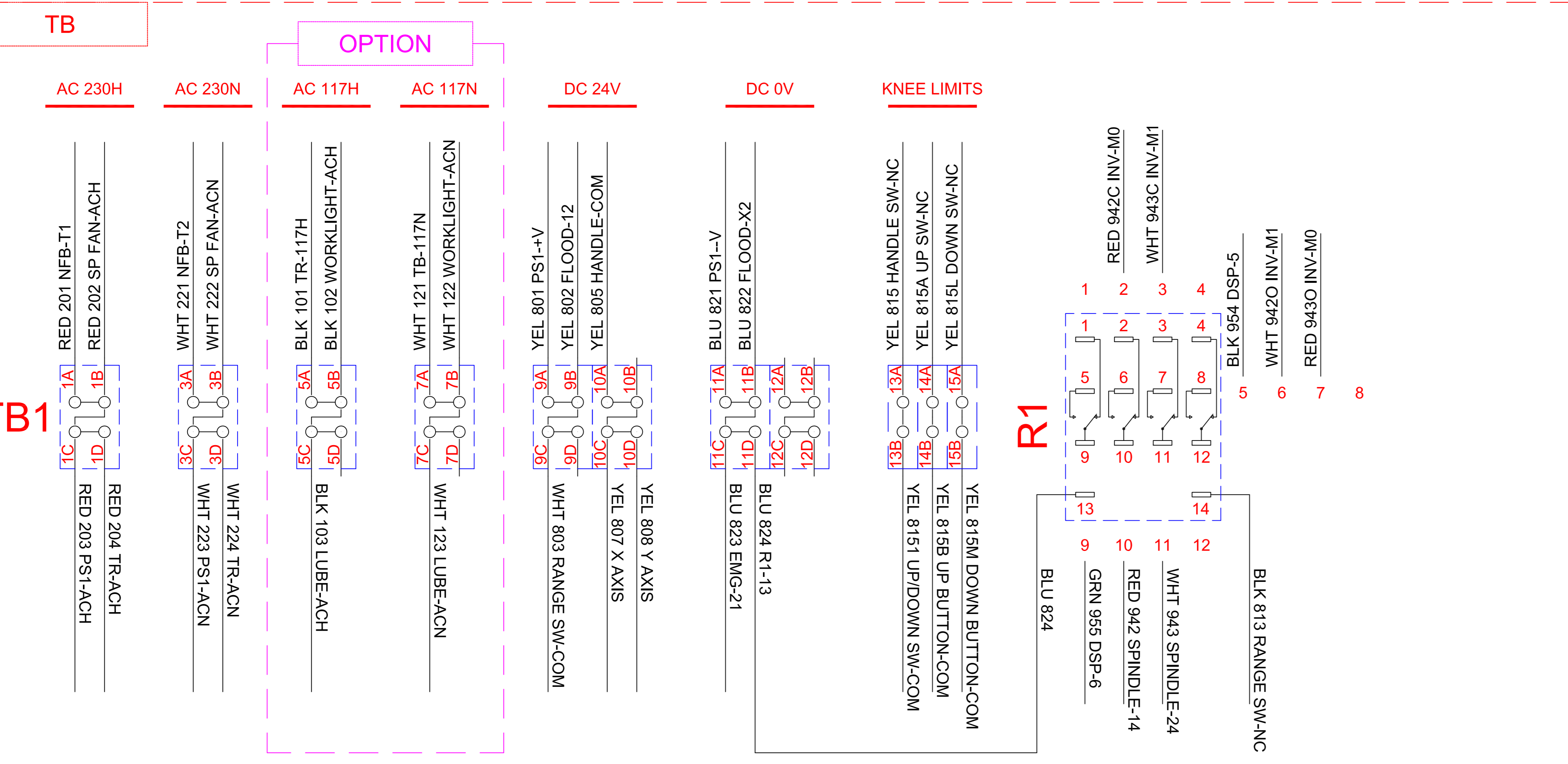
C

D



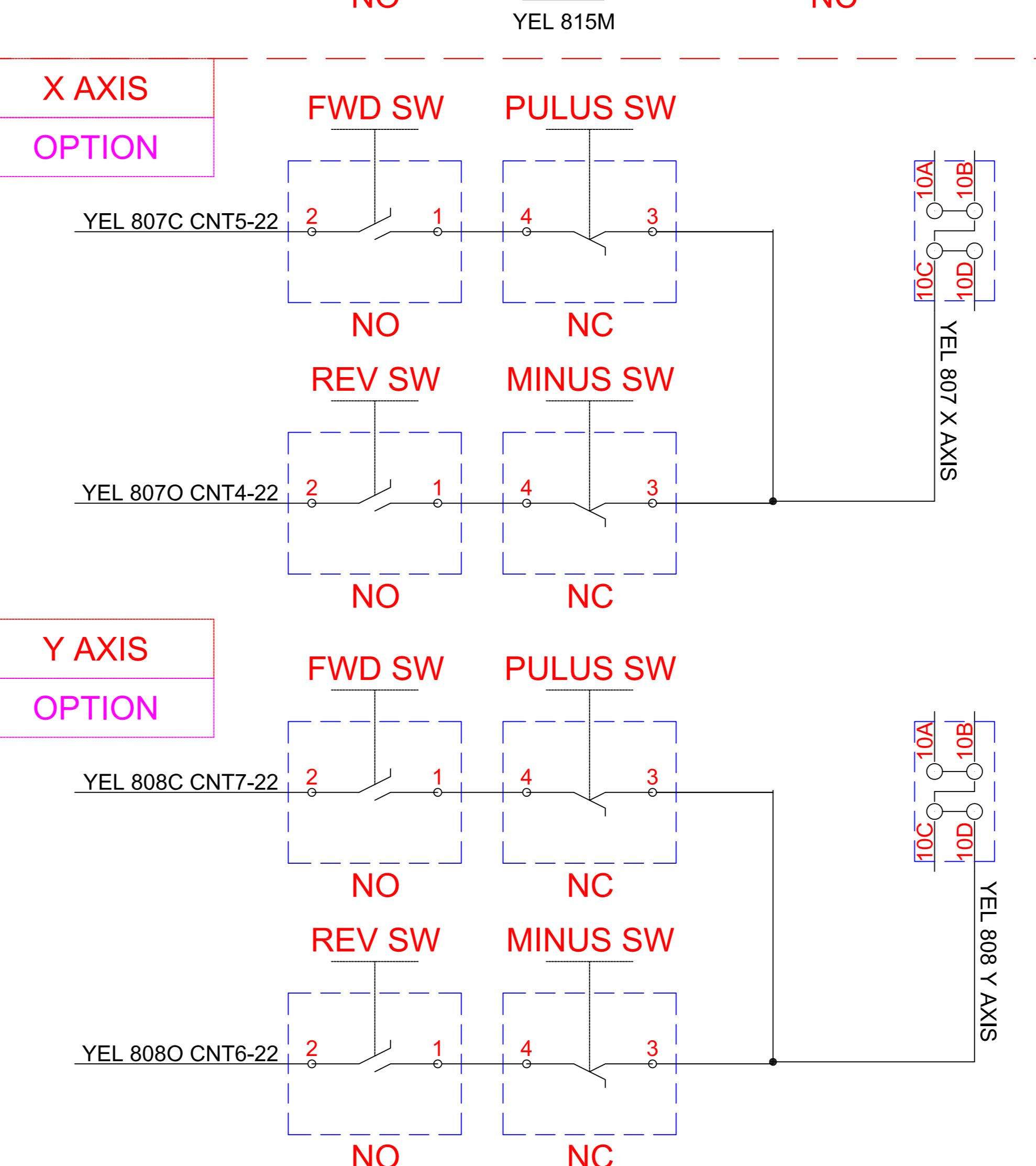
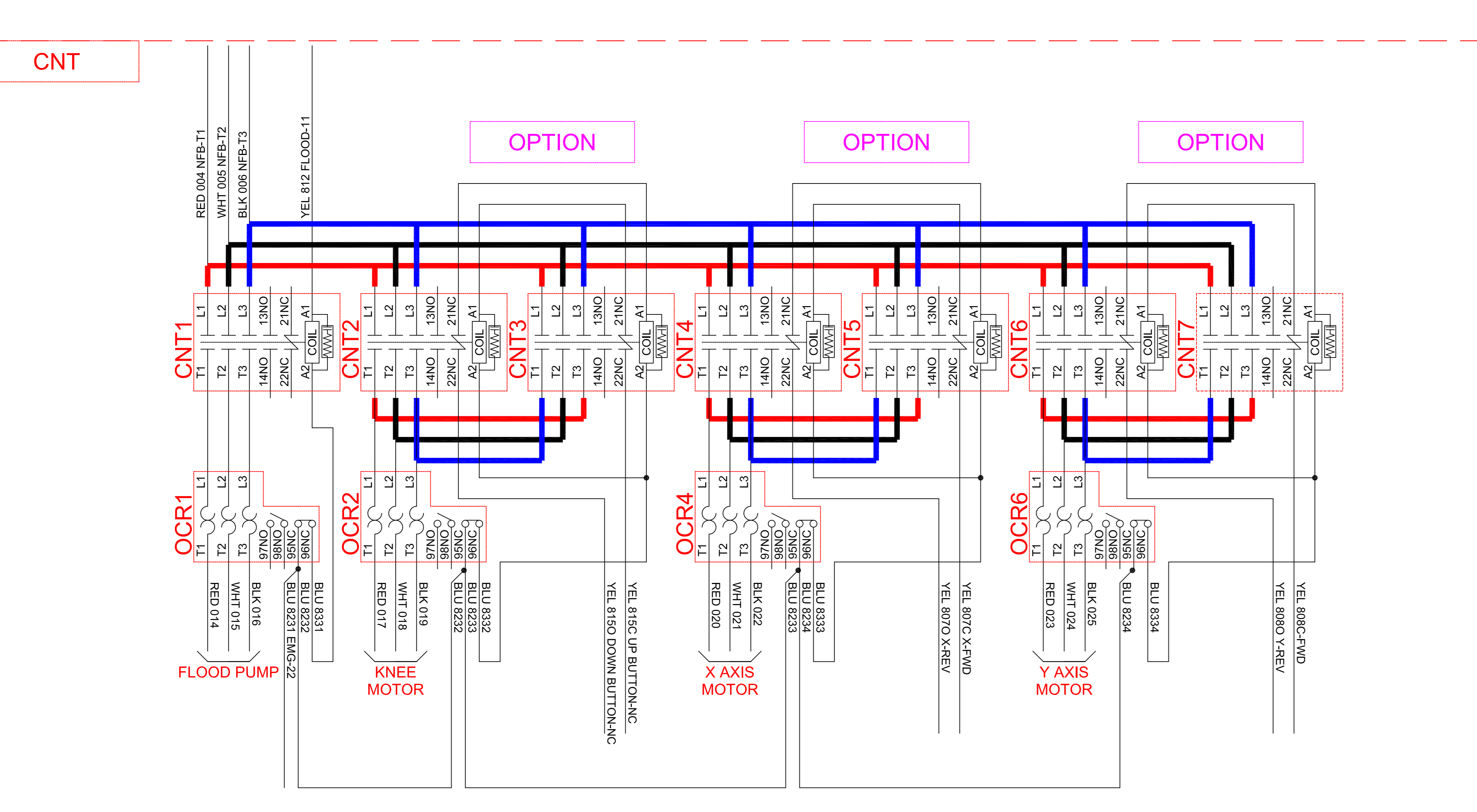
1

1



2

2



PARAMETER	DESCRIPTION	DATA
0	FREQ SOURCE	1
1	COMMAND SOURCE	2
3	MAX OUTPUT FREQ	134.33
10	ACCEL TIME 1	2.0
11	DECEL TIME 1	3.0
39	MULTI INPUT 2	4
40	MULTI INPUT 3	21

3

3

ATRUMP EVS

4

4

DRAWN BY	DAVID TSAI
SHEET	1 OF 1
REV	V1.00
DATE	2012-07-09

A

B

C

D