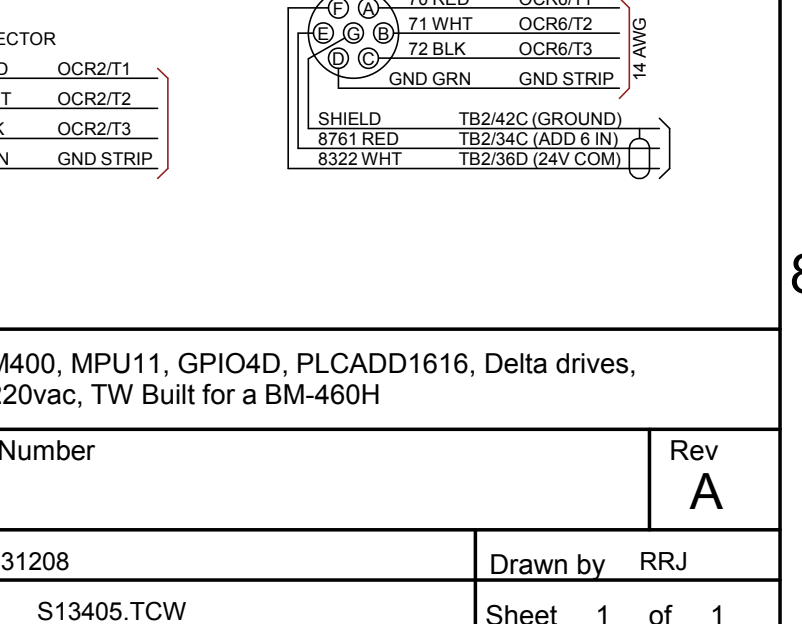
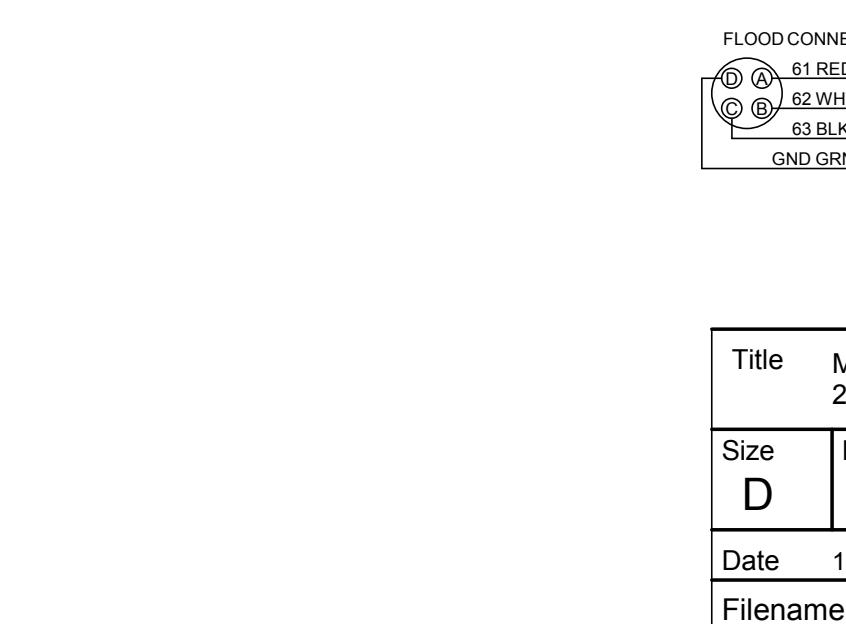
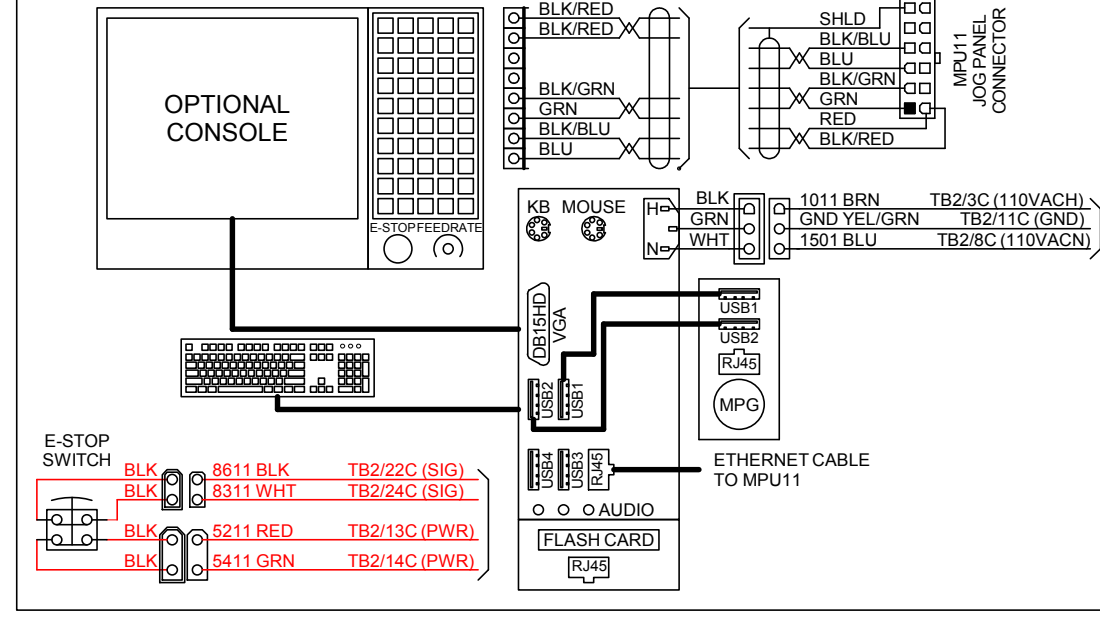


PART	LOCATION
CNT1	C2
CONSOLE	B8
DISCONNECT	A4
DOOR FAN 1	F7
DOOR FAN 2	A8
E-STOP SWITCH	A8
GND LUG	A4
GND STRIP	E3,F3
GPIO4	F4,F5
INVERTER1	F2
LIMIT SWITCHES	A2
LUBE PUMP	A2
PS2	D3
PS3	D3
PS4	E2
RL1	D2
RL2	D2
SPINDLE COOLING FAN	A1
SPINDLE MOTOR	A1
TI	B3
TI1	C5,D5
TI2	C5,D5
X AXIS SERVO DRIVE	B8,B7
X AXIS OPTIC DIRECT	B8,B7
X AXIS SERVO DRIVE	D6,C7
X AXIS OPTIC DIRECT	D6,C7
Z AXIS SERVO DRIVE	E6,E7
Z AXIS OPTIC DIRECT	E6,E7



Title	M400, MPU11, GPIO4D, PLCADD1616, Delta drives, 220vac, TW Built for a BM-460H	
Size	Number	Rev
D		A
Date	131208	Drawn by RRJ
Filename	S13405.TCW	Sheet 1 of 1